



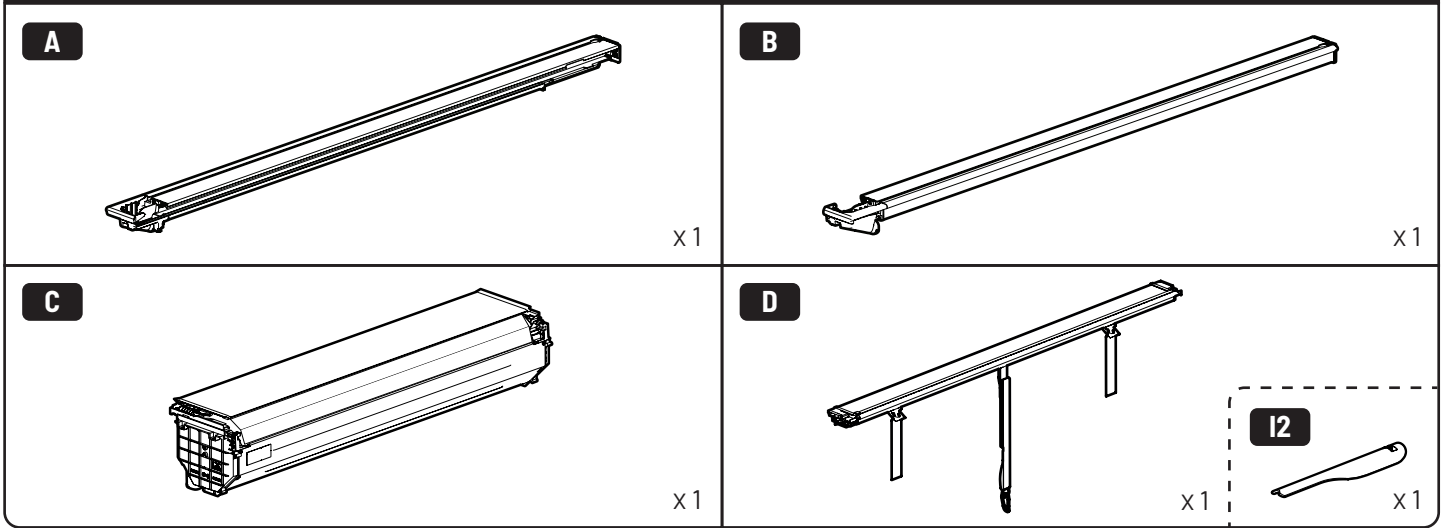
MOUNTAIN TOP® EV0m

Installation manual

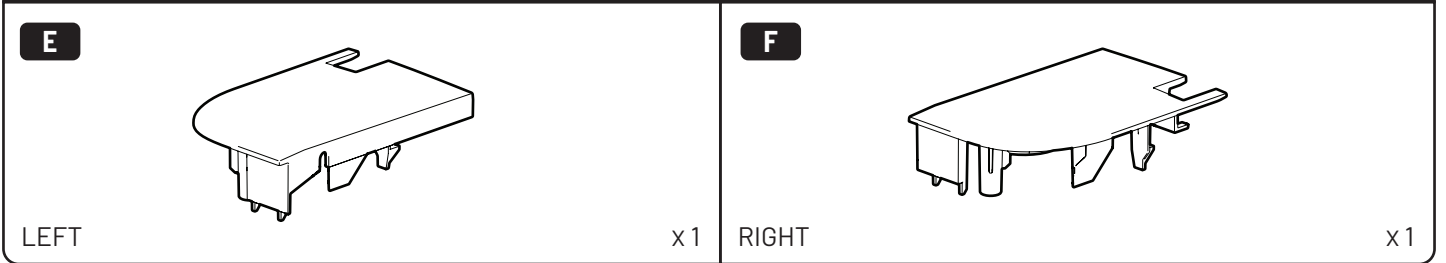


DOWNLOAD PDF

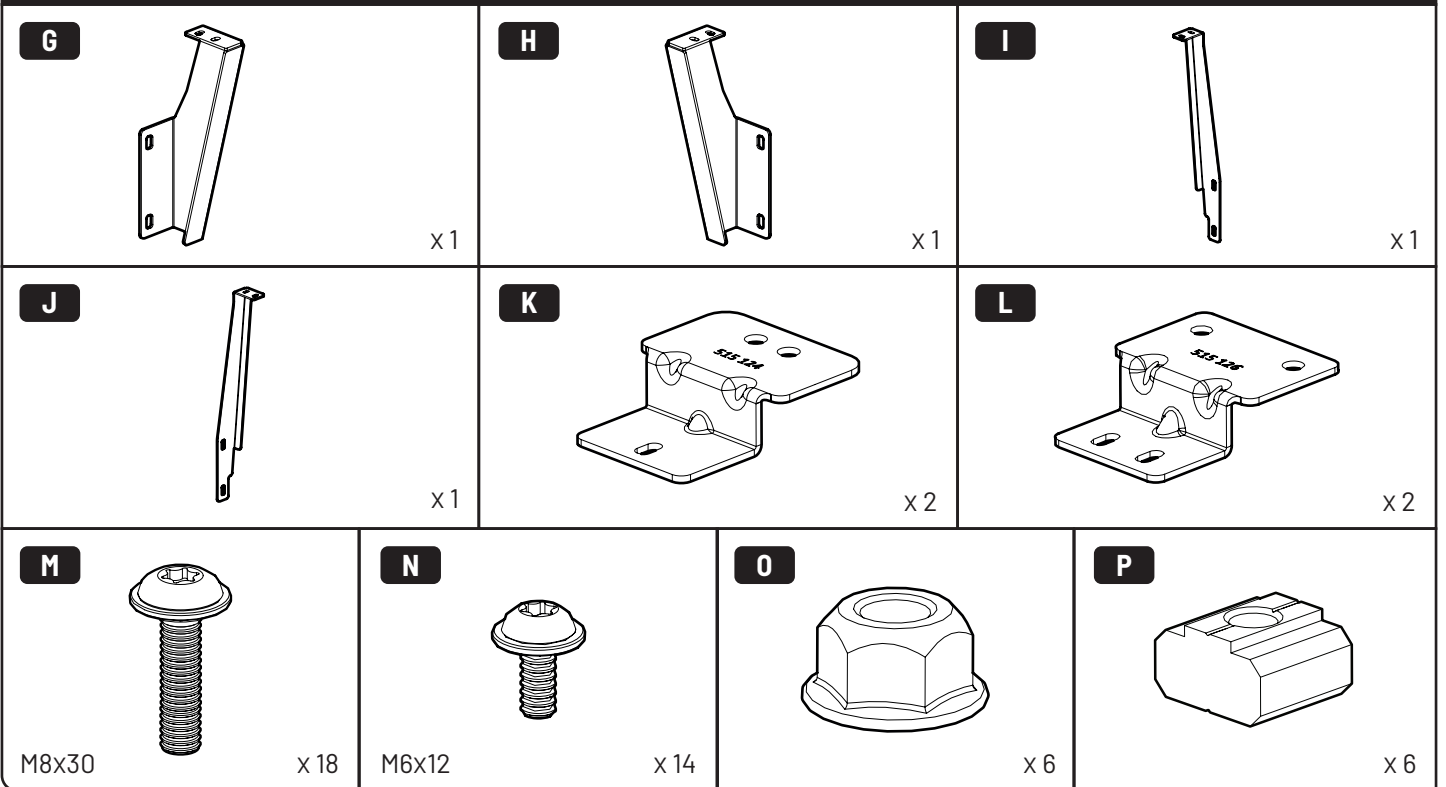
Parts

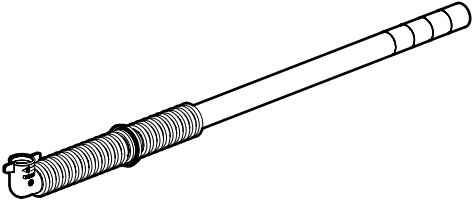
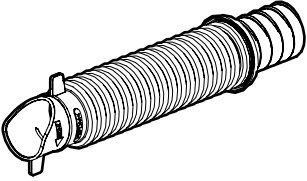
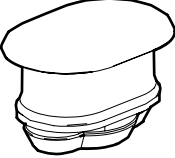

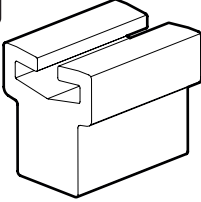
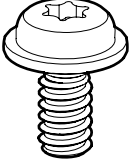


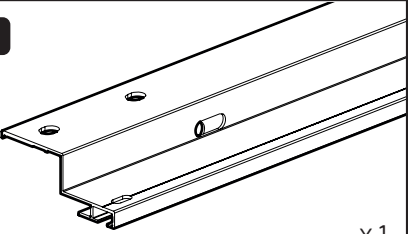
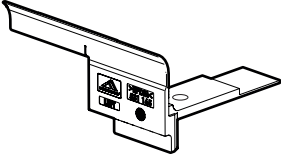
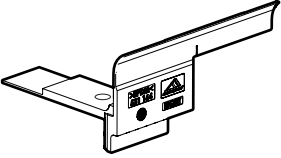
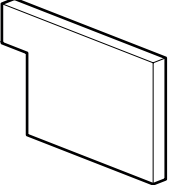
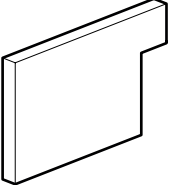
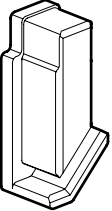
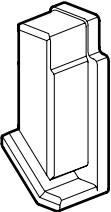
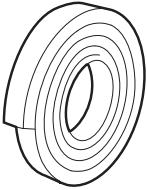
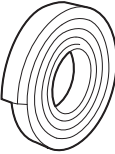
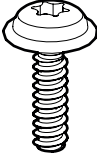
Kit

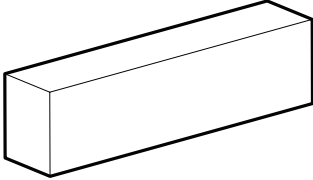


Kit



Kit			
Q		R	
	x 2		x 2
S		T	
	x 2	M6x30	x 2
U		V	
	x 4	M6x16	x 4

Kit			
W		X	
	x 1		x 1
Y		Z	
	x 1		x 1
A2		B2	
	x 1		x 1
C2		D2	
	x 1	6x25mm	x 2
E2		F2	
	6x10mm	x 1	M5x14
		x 1	x 2

Kit	
G2	
20x25x100mm	x 2

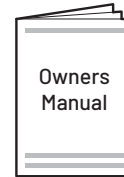
Kit



x1

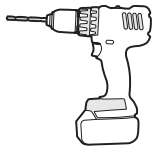


x1



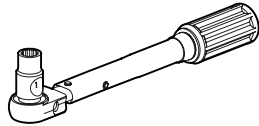
x1

Tools needed



Ø3.5 + Ø10 MM

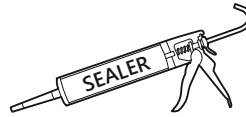
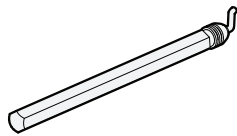
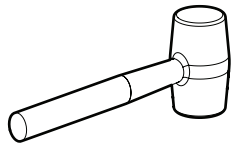
1 - 25 Nm



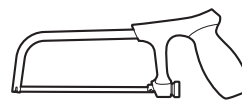
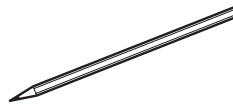
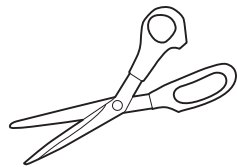
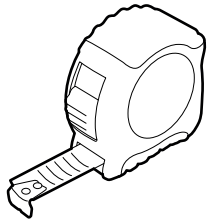
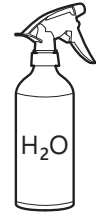
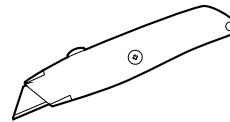
✱ T20, T30, T40



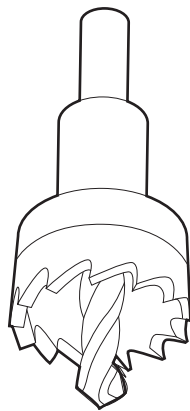
Rust protection
Rostschutzmittel
Anti-rouille
Anti roest



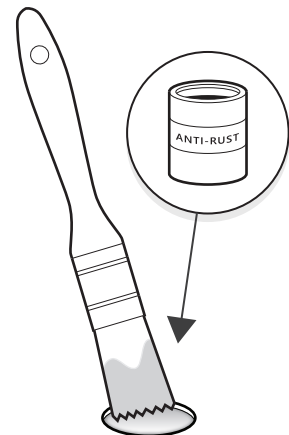
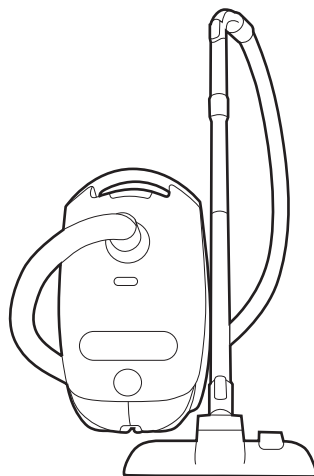
Silicone (RTV)



Applying rust protection



Ø30 / Ø40 mm

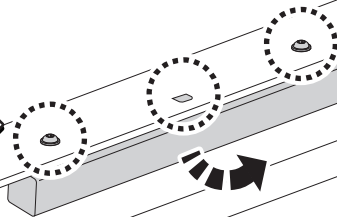


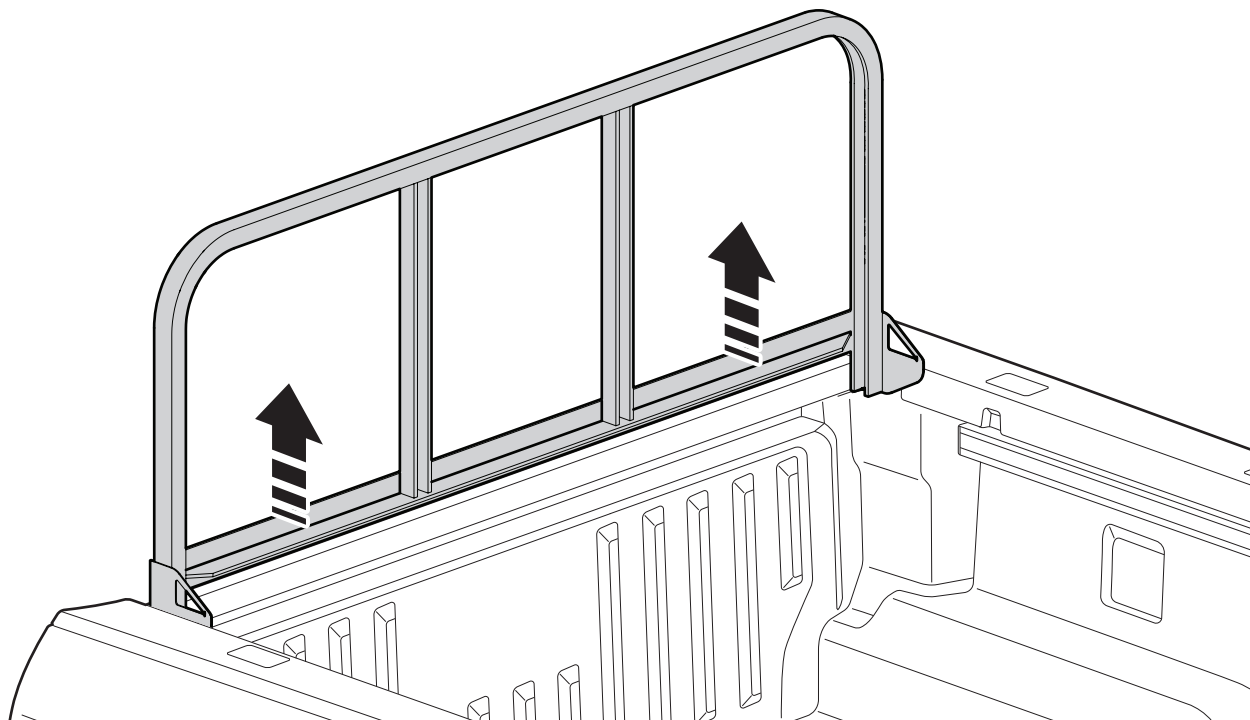


**If sheet metal is scratched during installation,
apply rust protection to damaged areas**

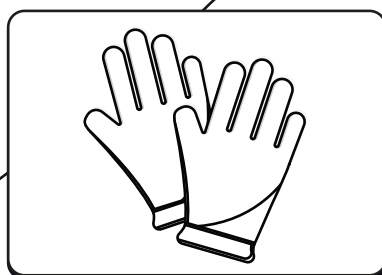


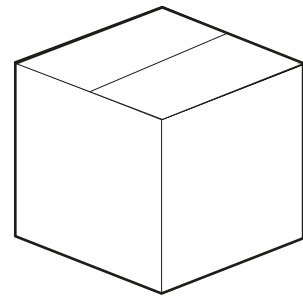
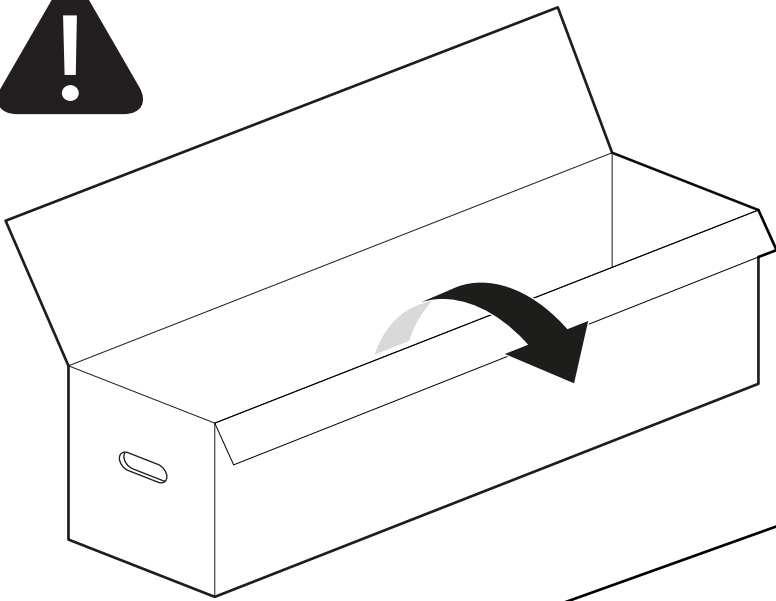
**Remove mass damper on tub
headboard prior to installing
Rollershutter (only applicable to
RAP CAB Variants)**



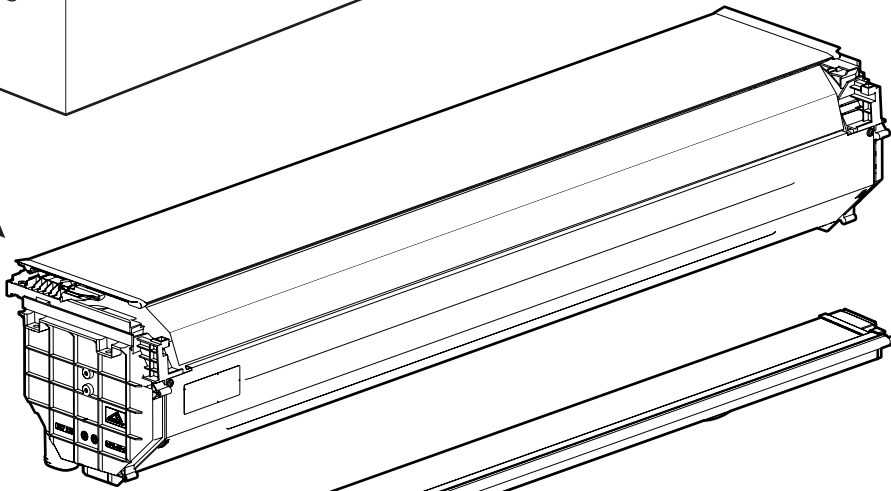


Rollershutter not compatible with load rest bar - part cannot be re-installed once Rollershutter have been installed (store parts)

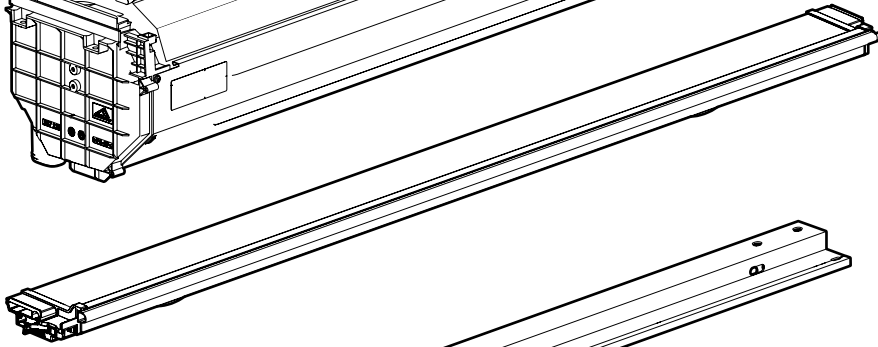




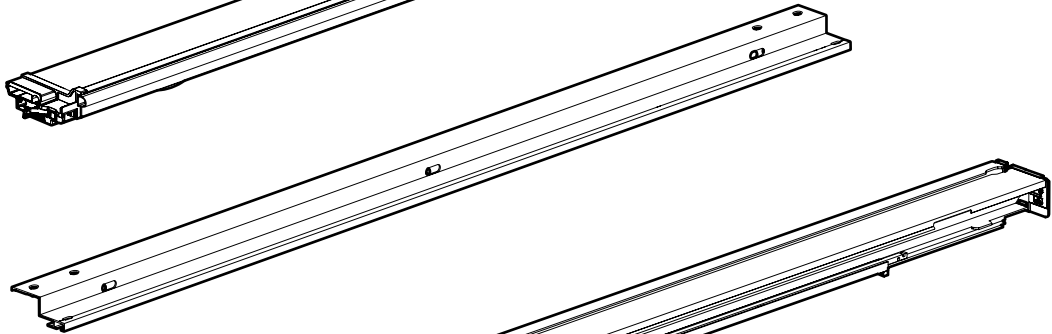
C



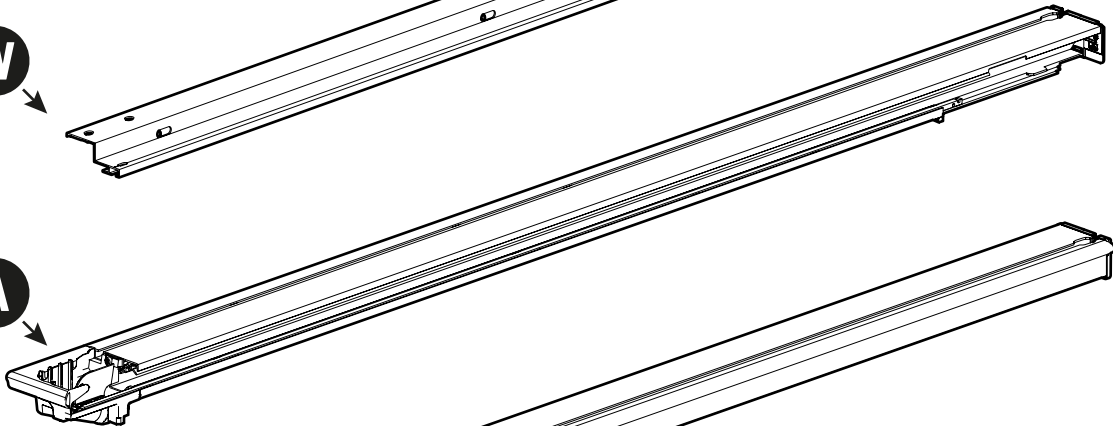
D



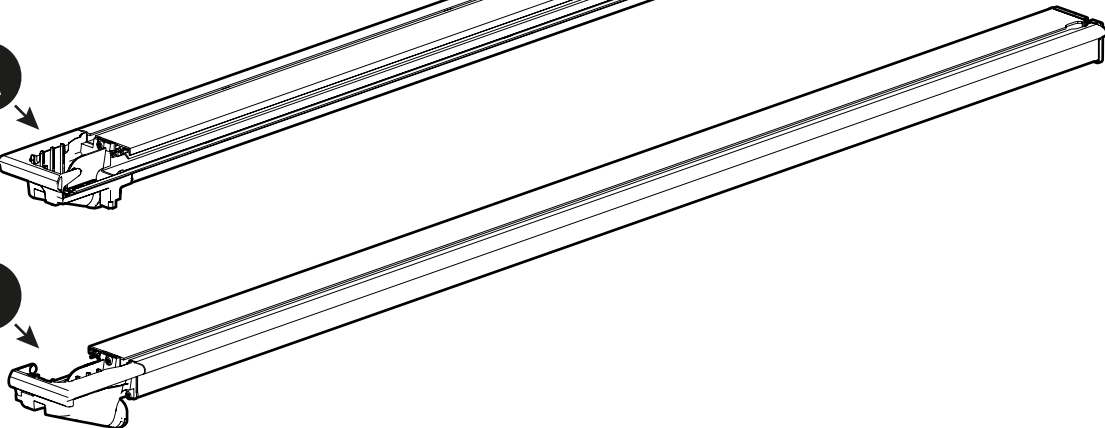
W



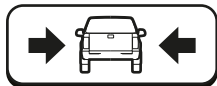
A



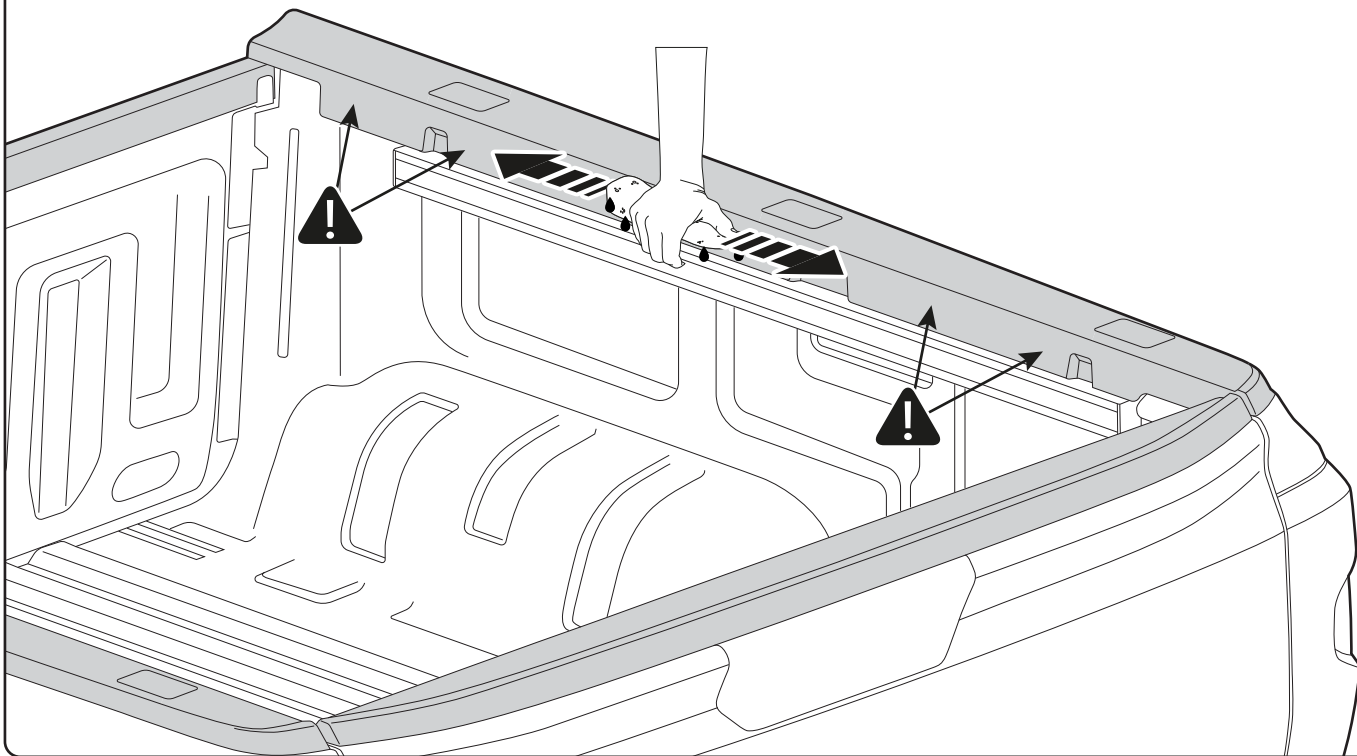
B



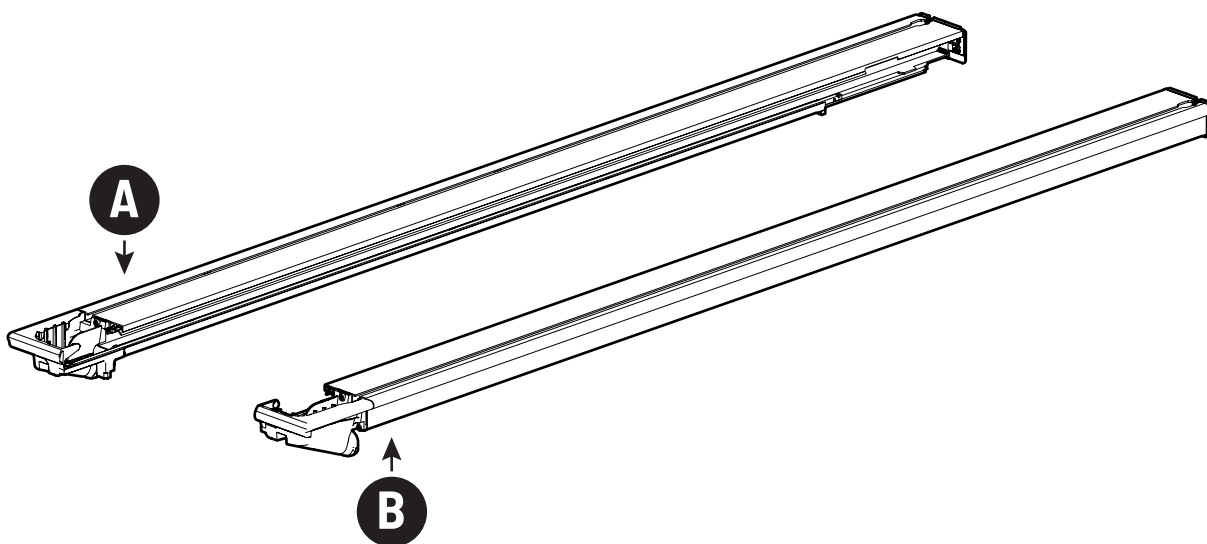
 Water & sponge

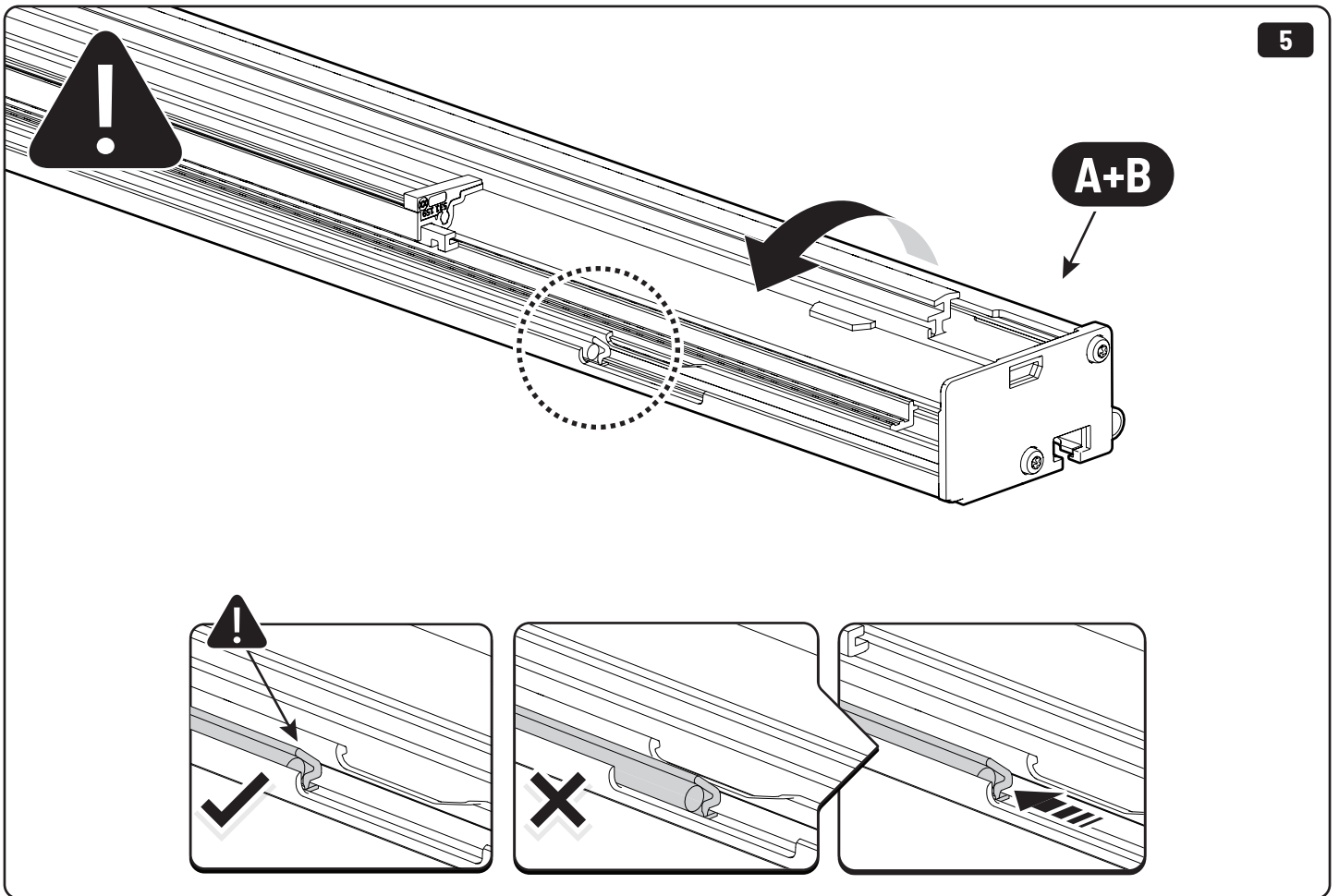
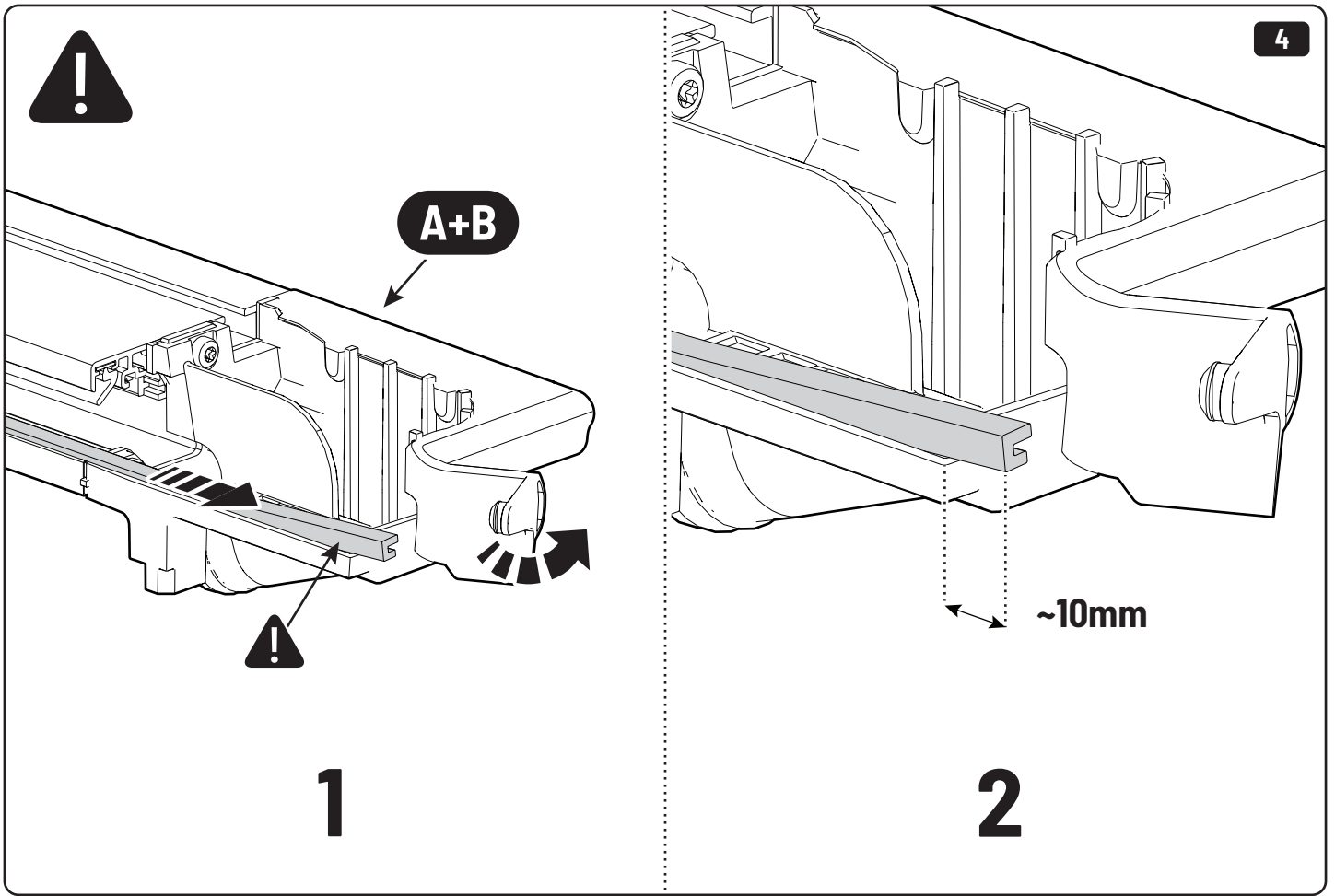


2

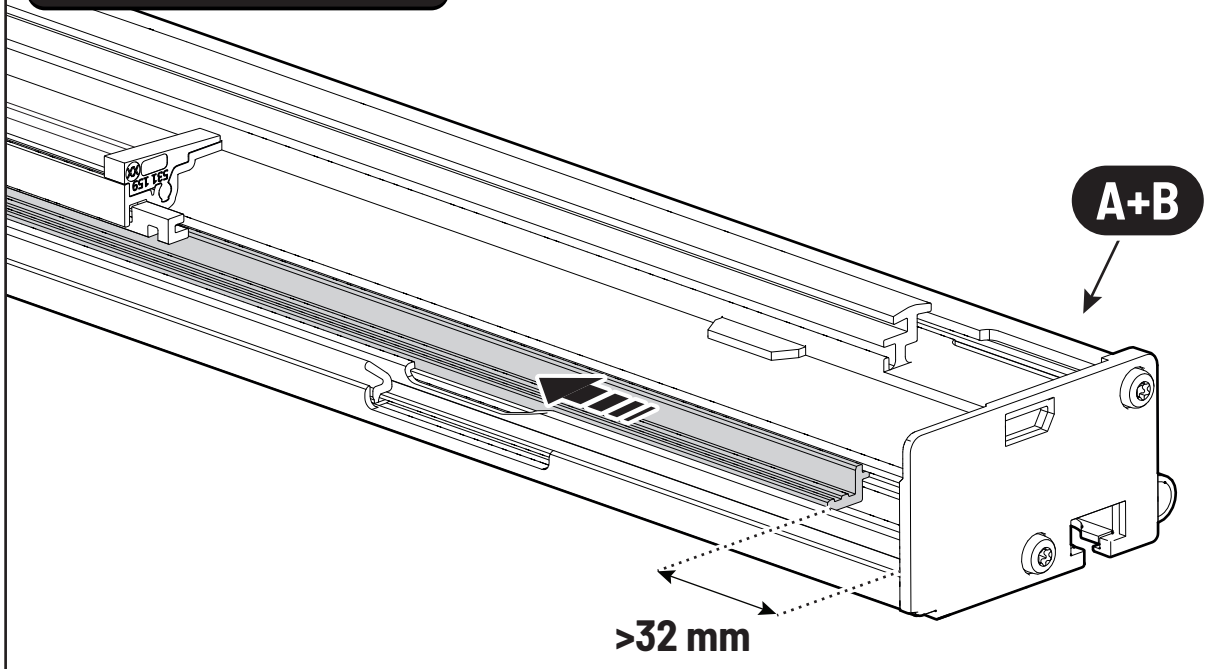


3

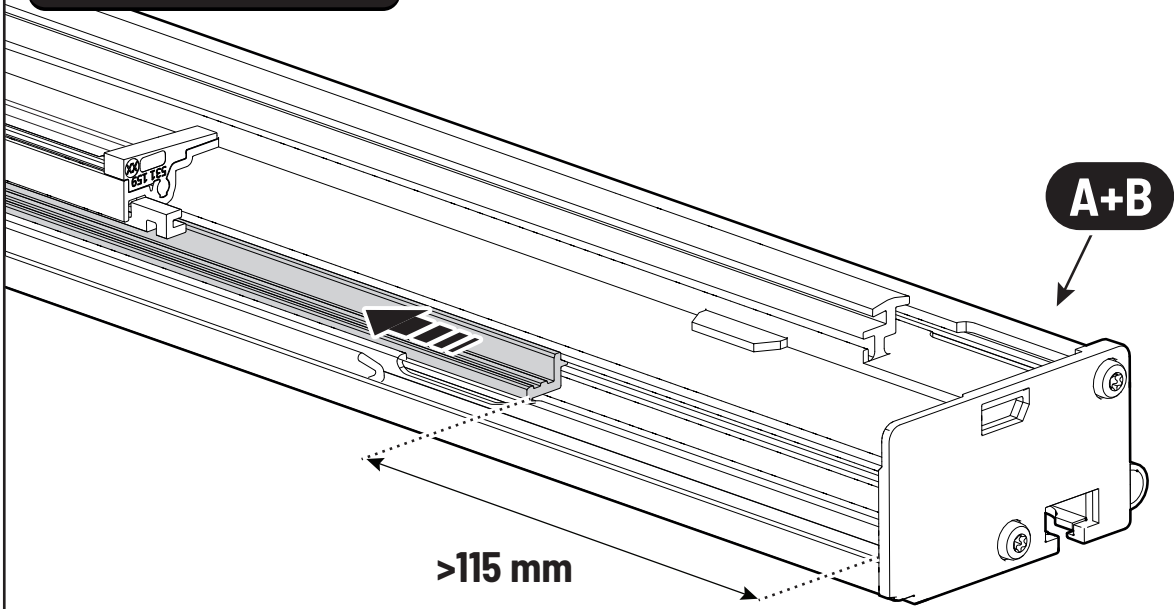


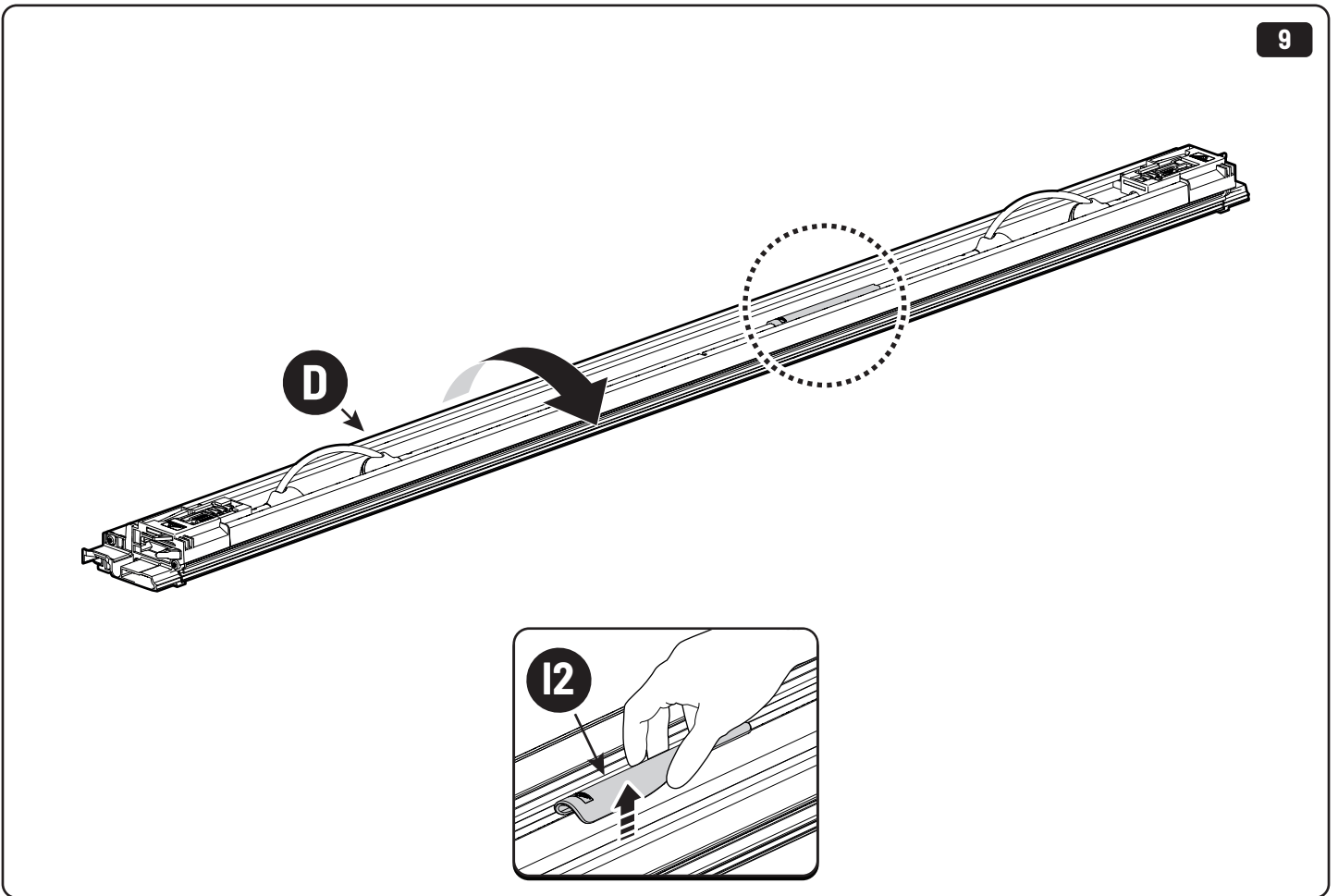
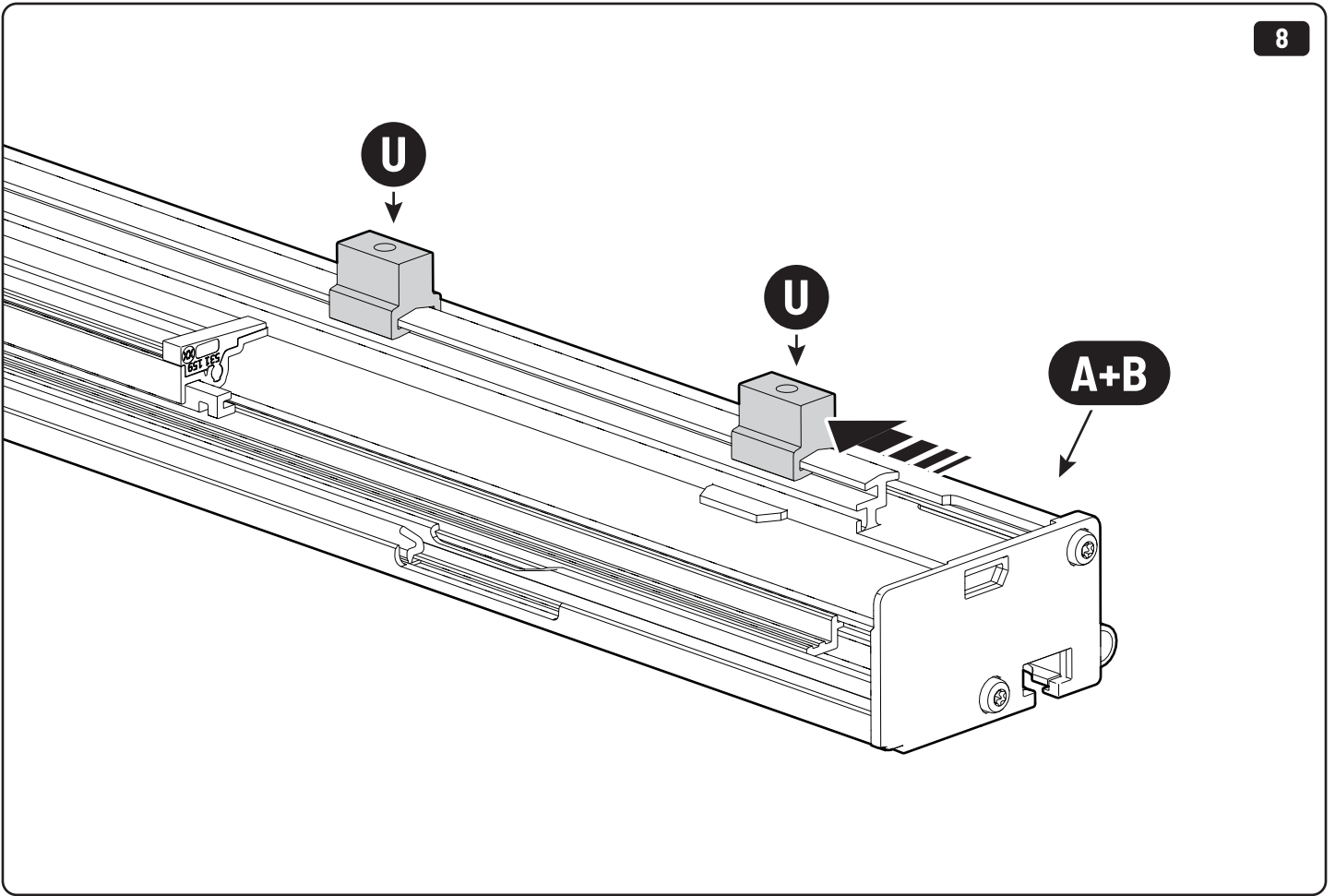


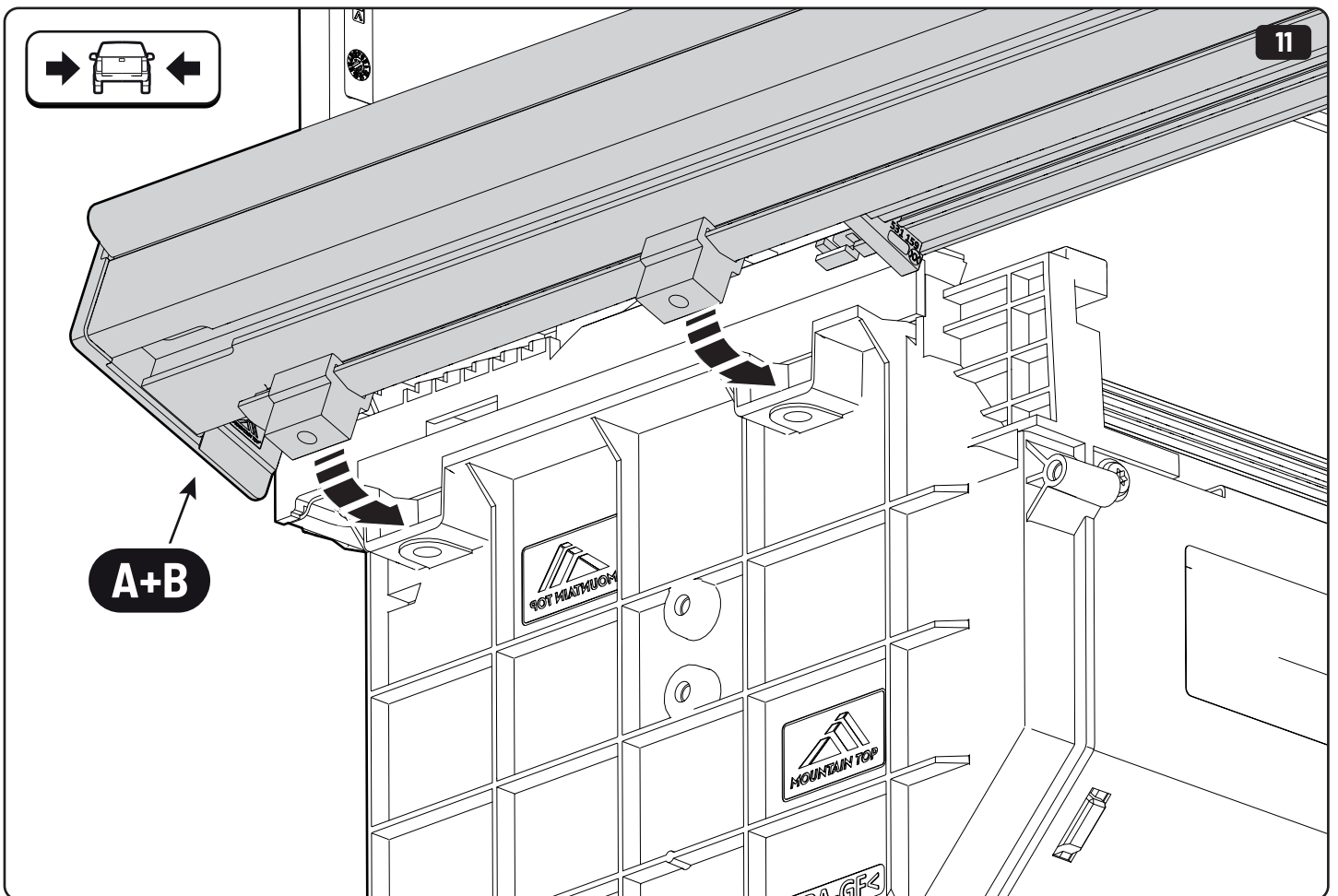
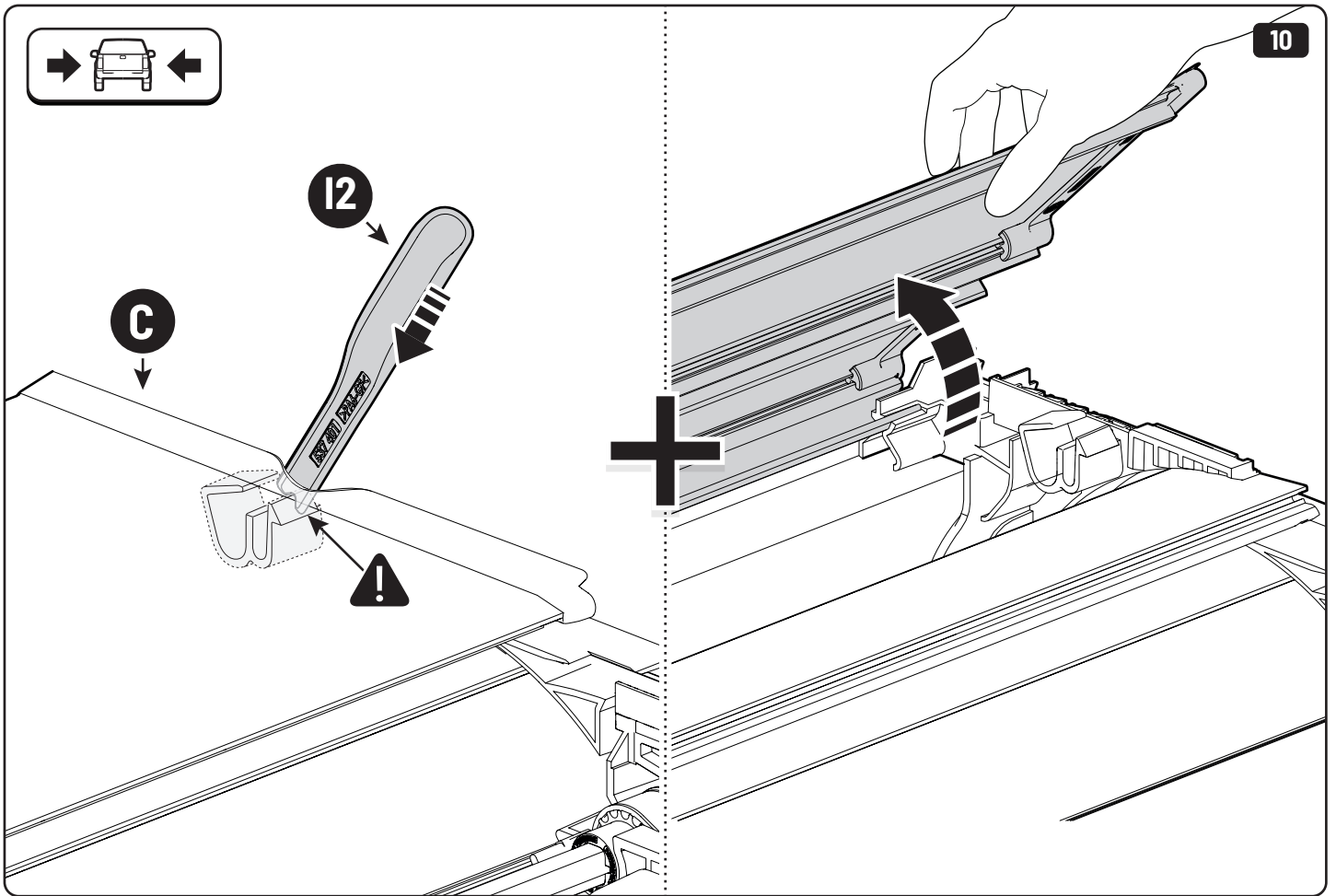
! ONLY FOR DOUBLE CAB

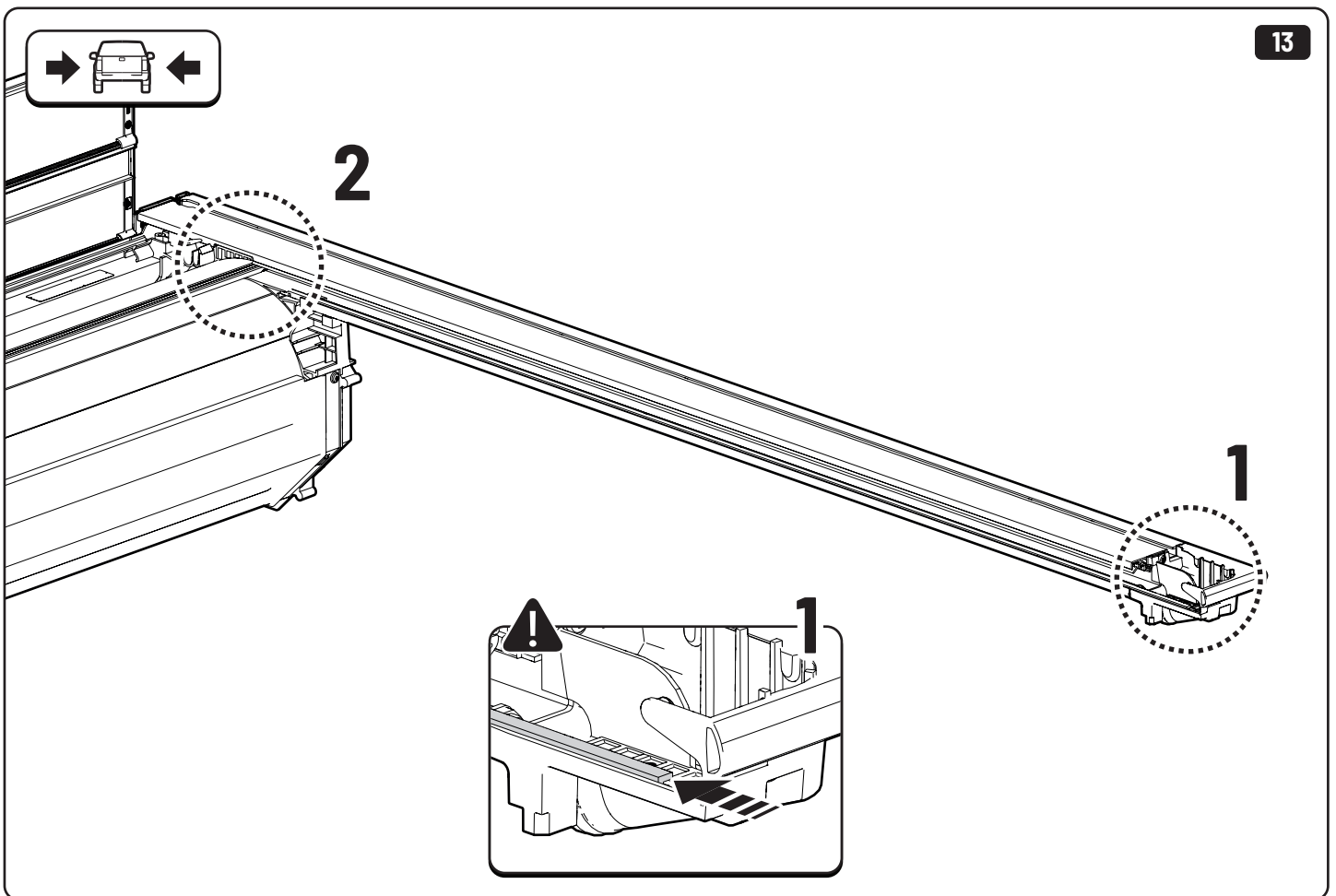
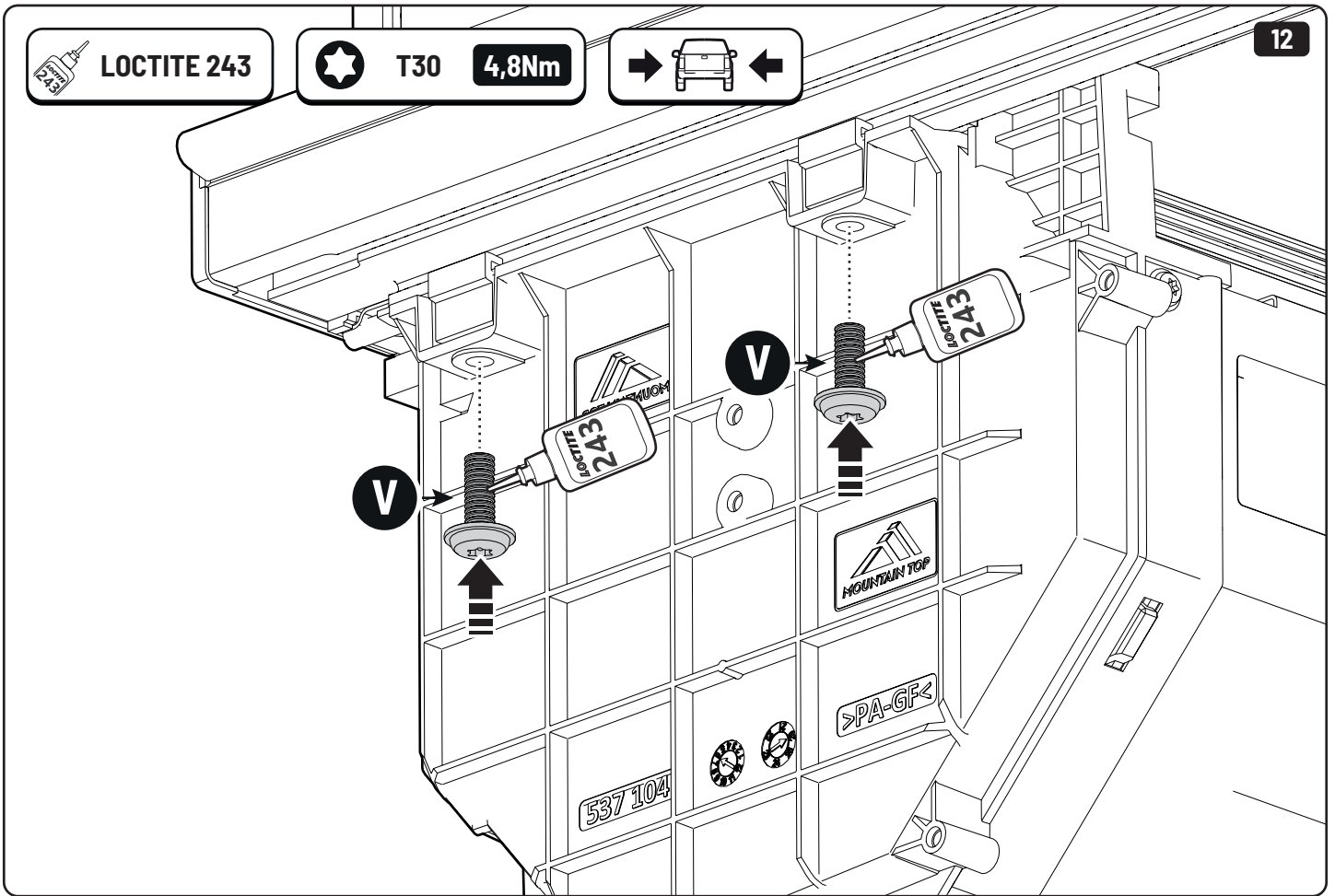


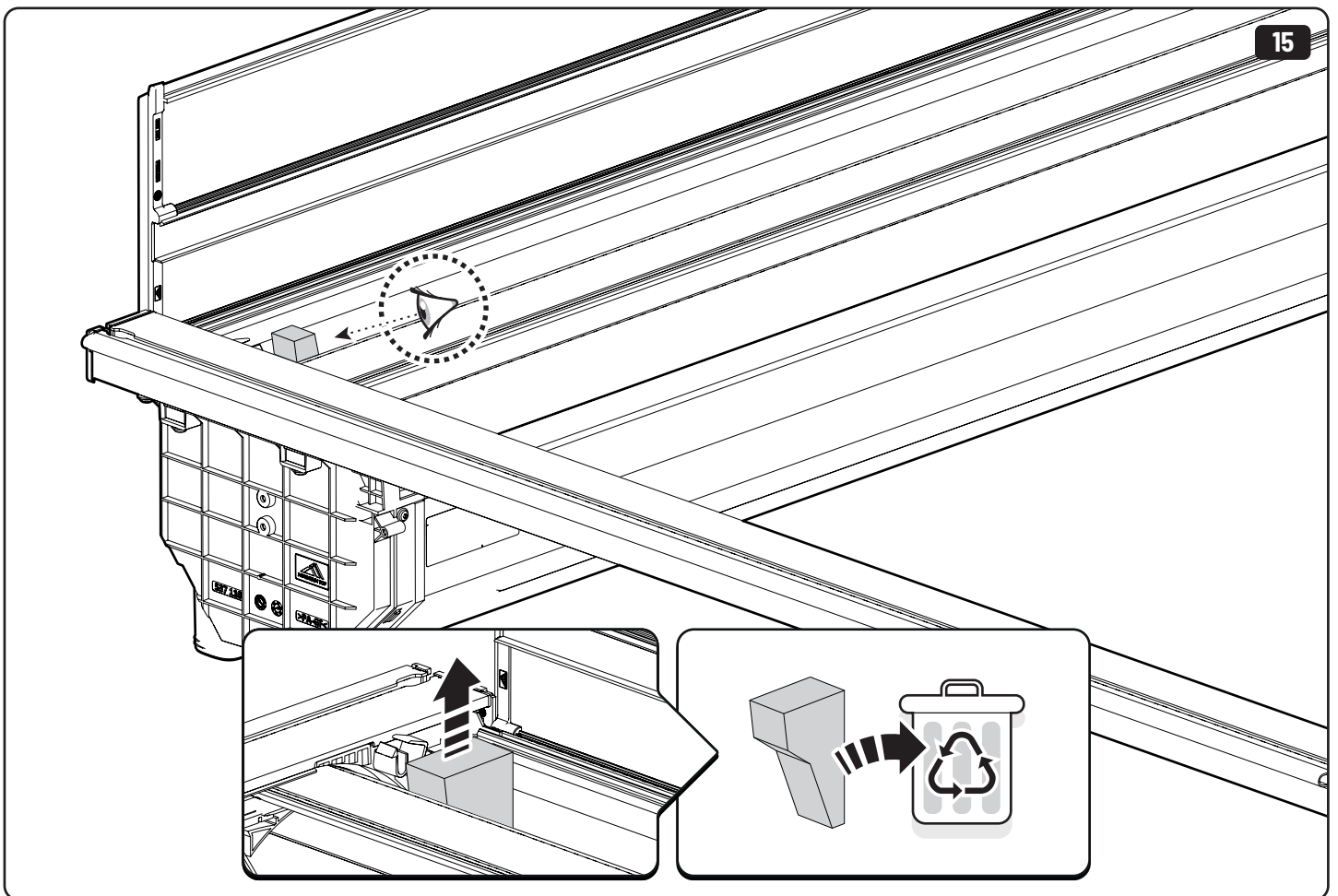
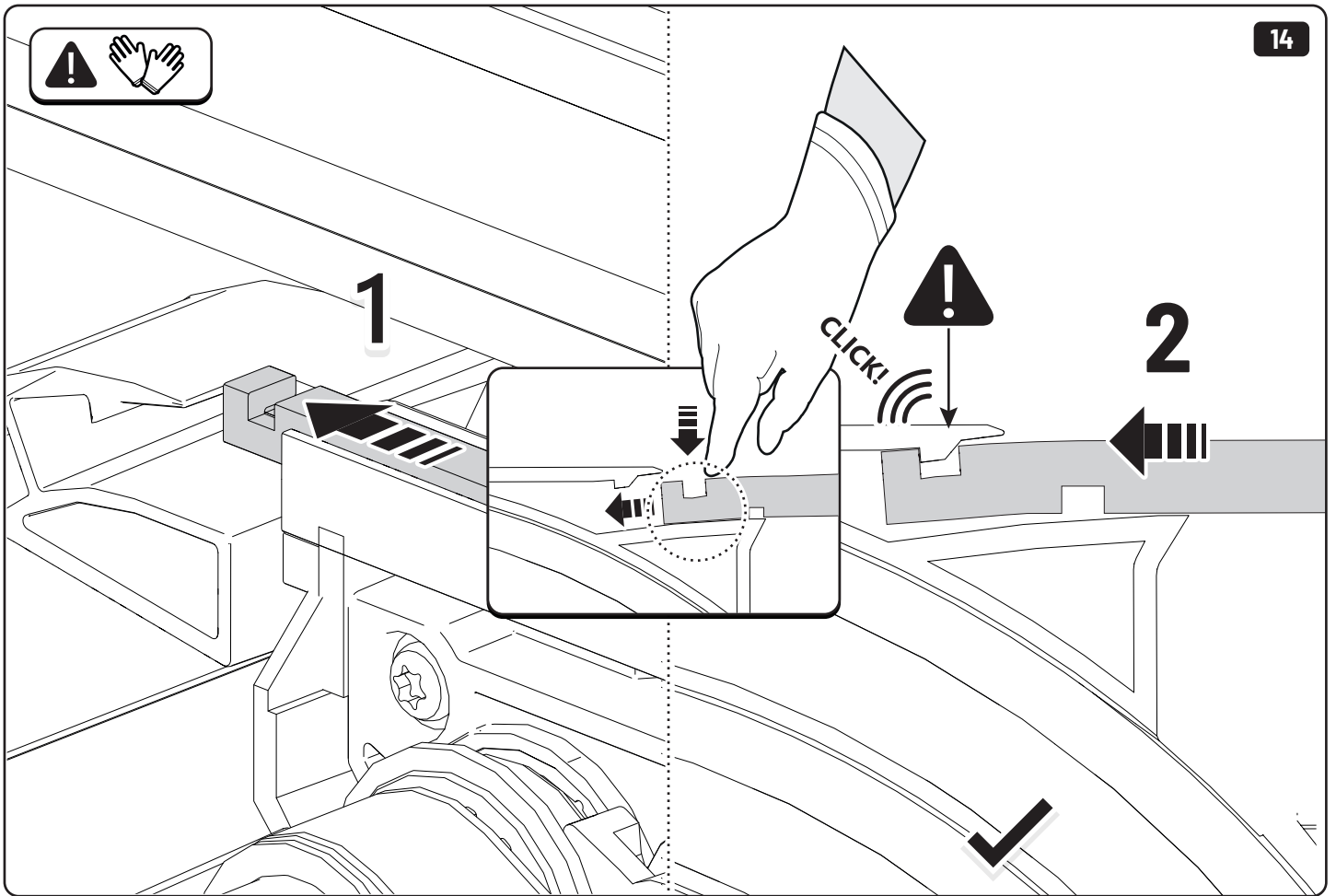
! ONLY FOR RAP CAB

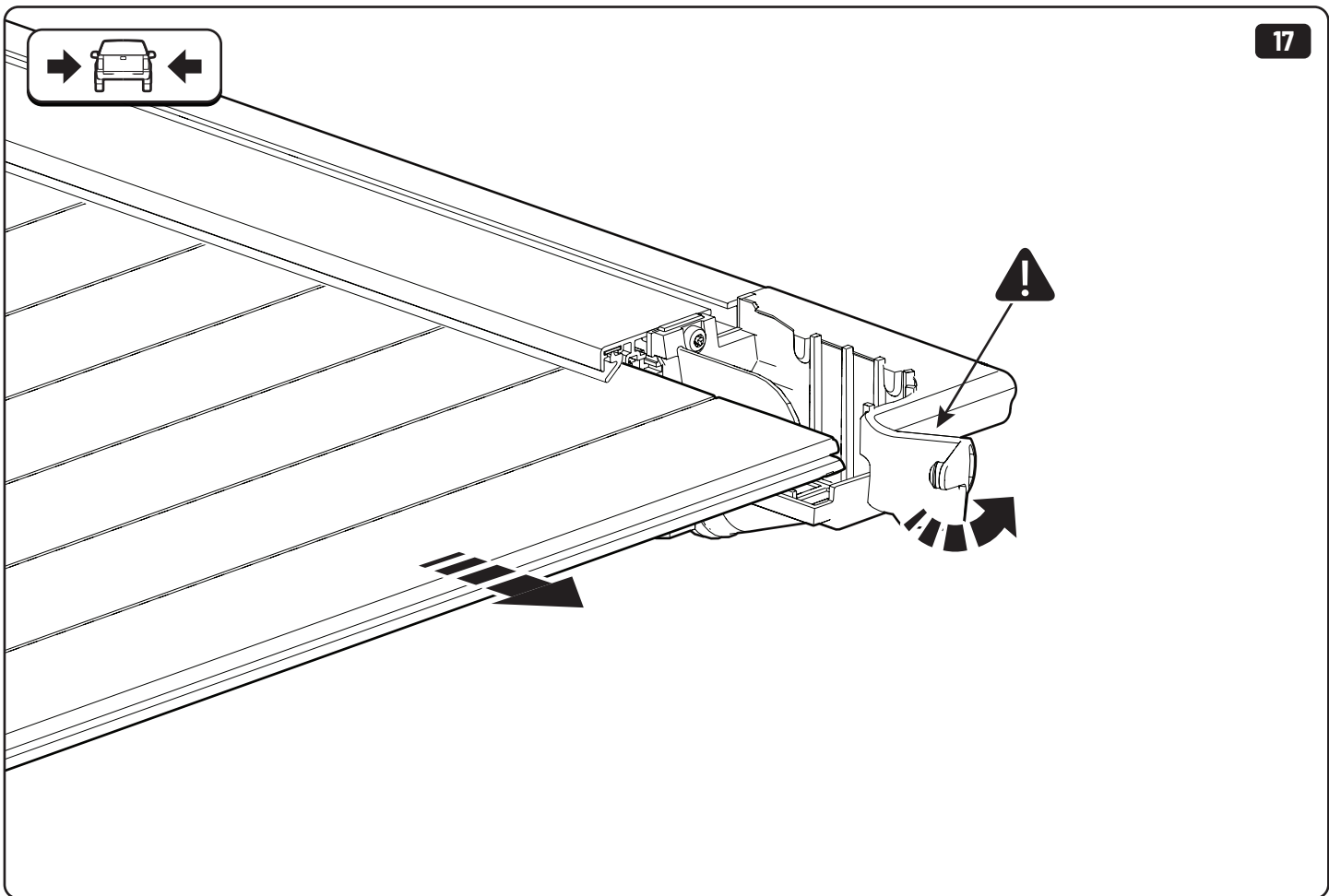
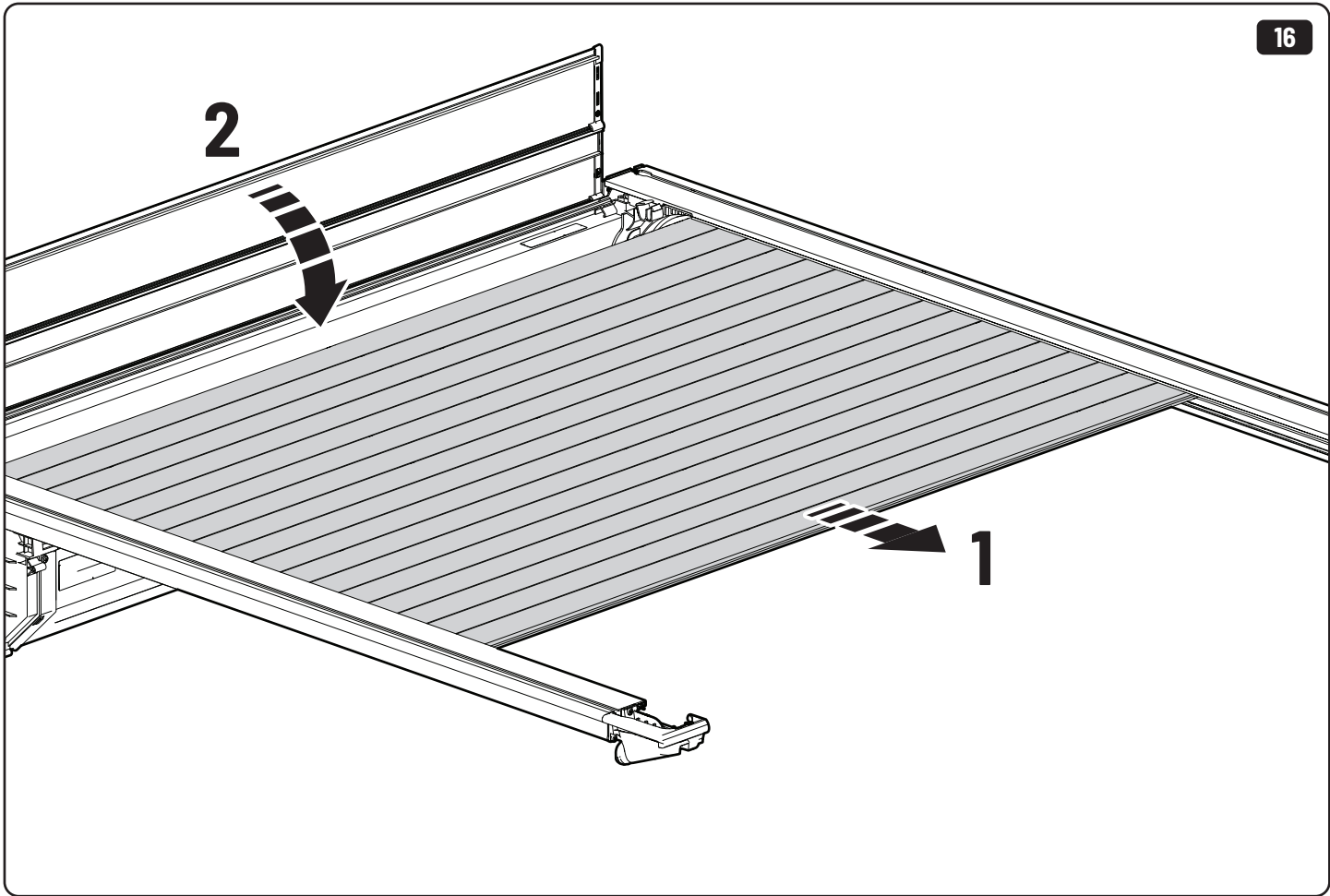


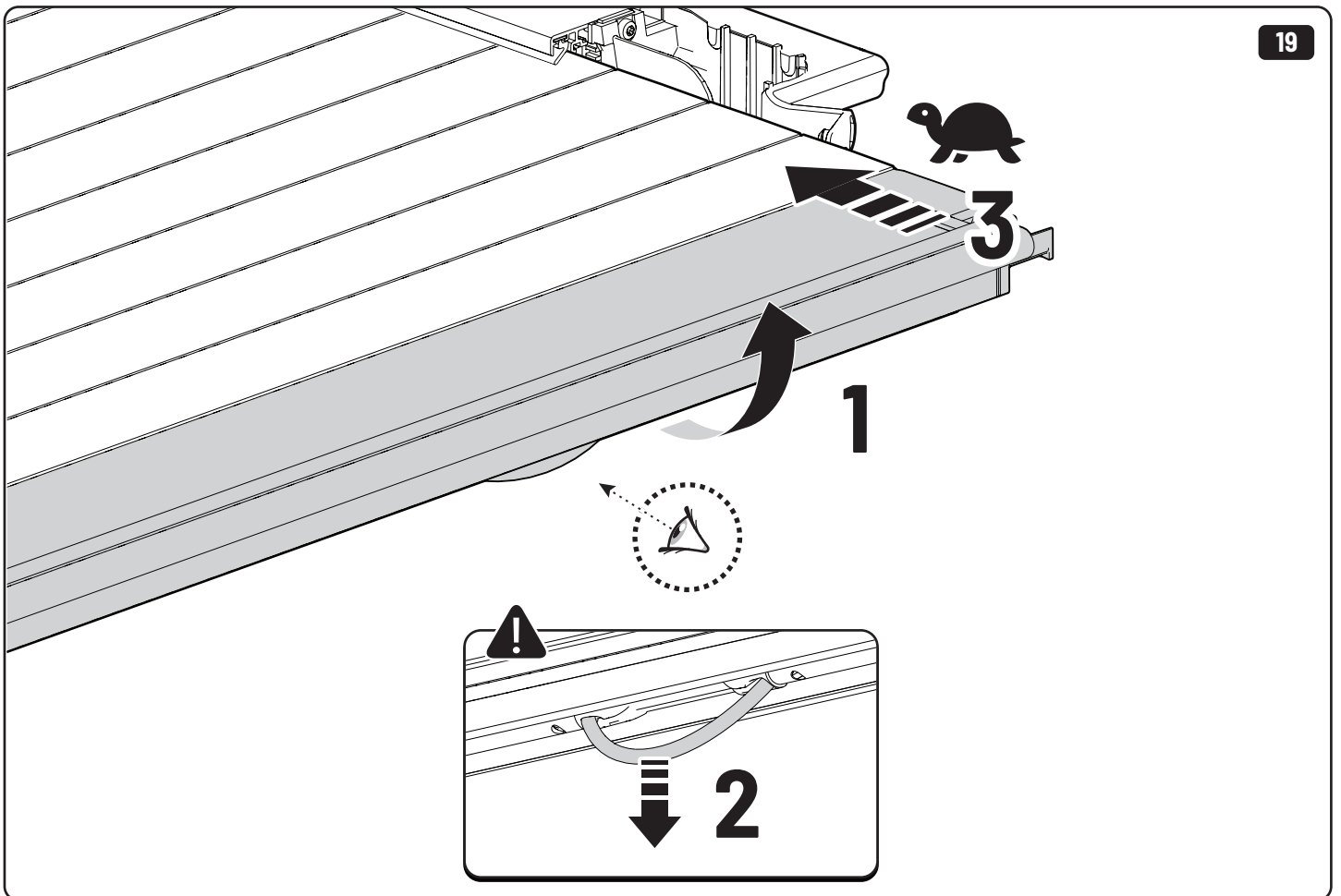
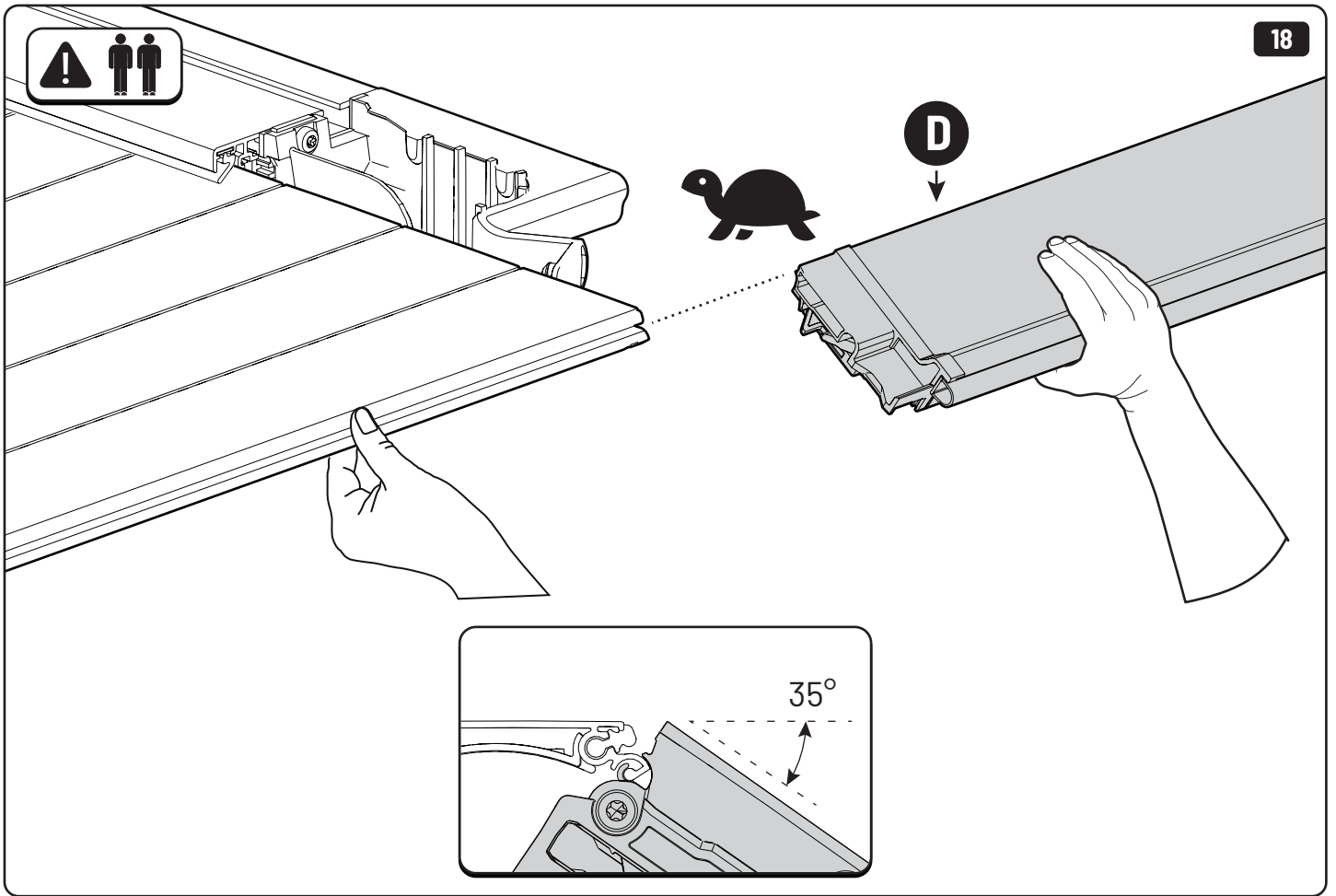


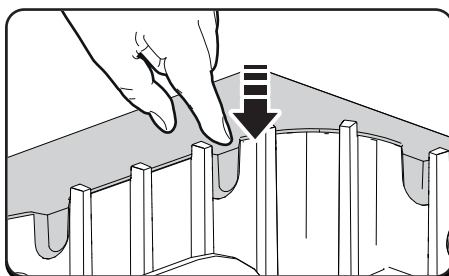
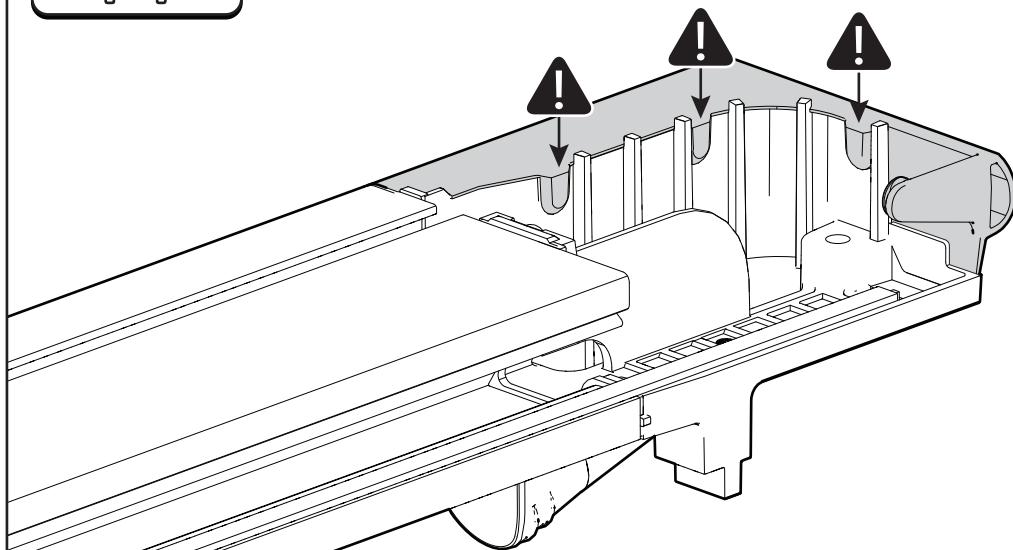
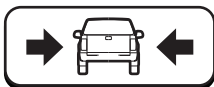
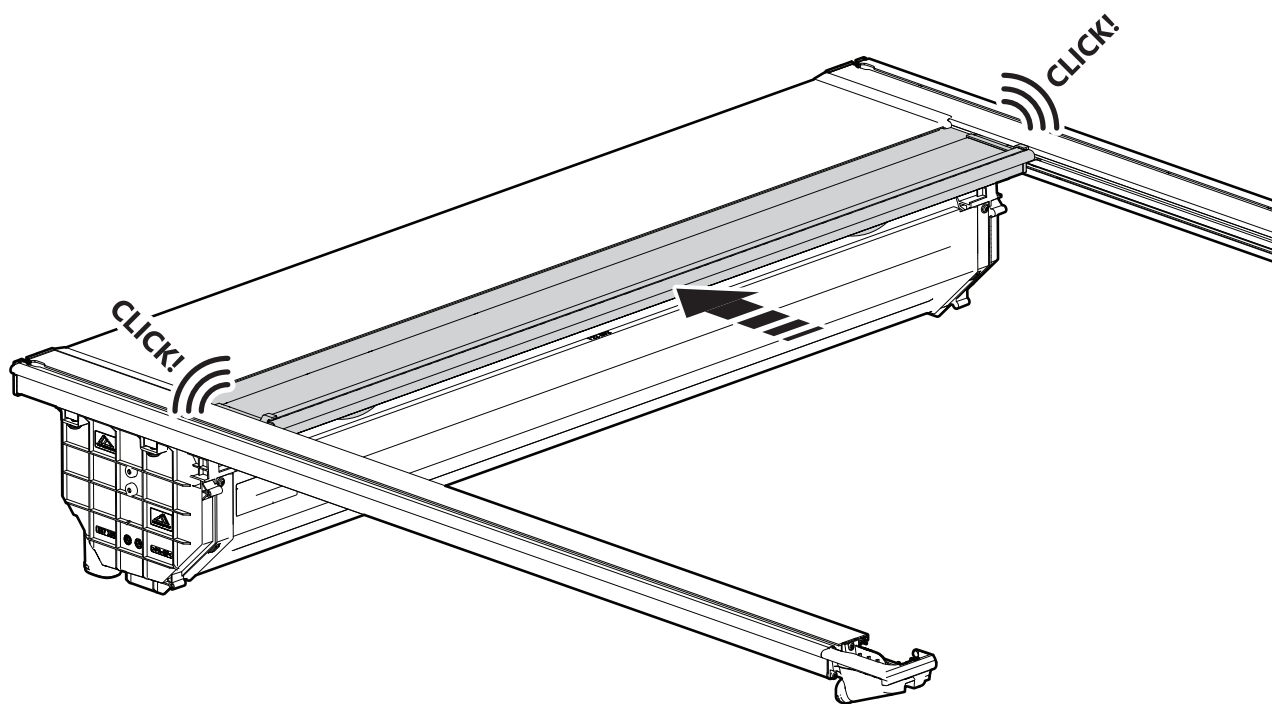




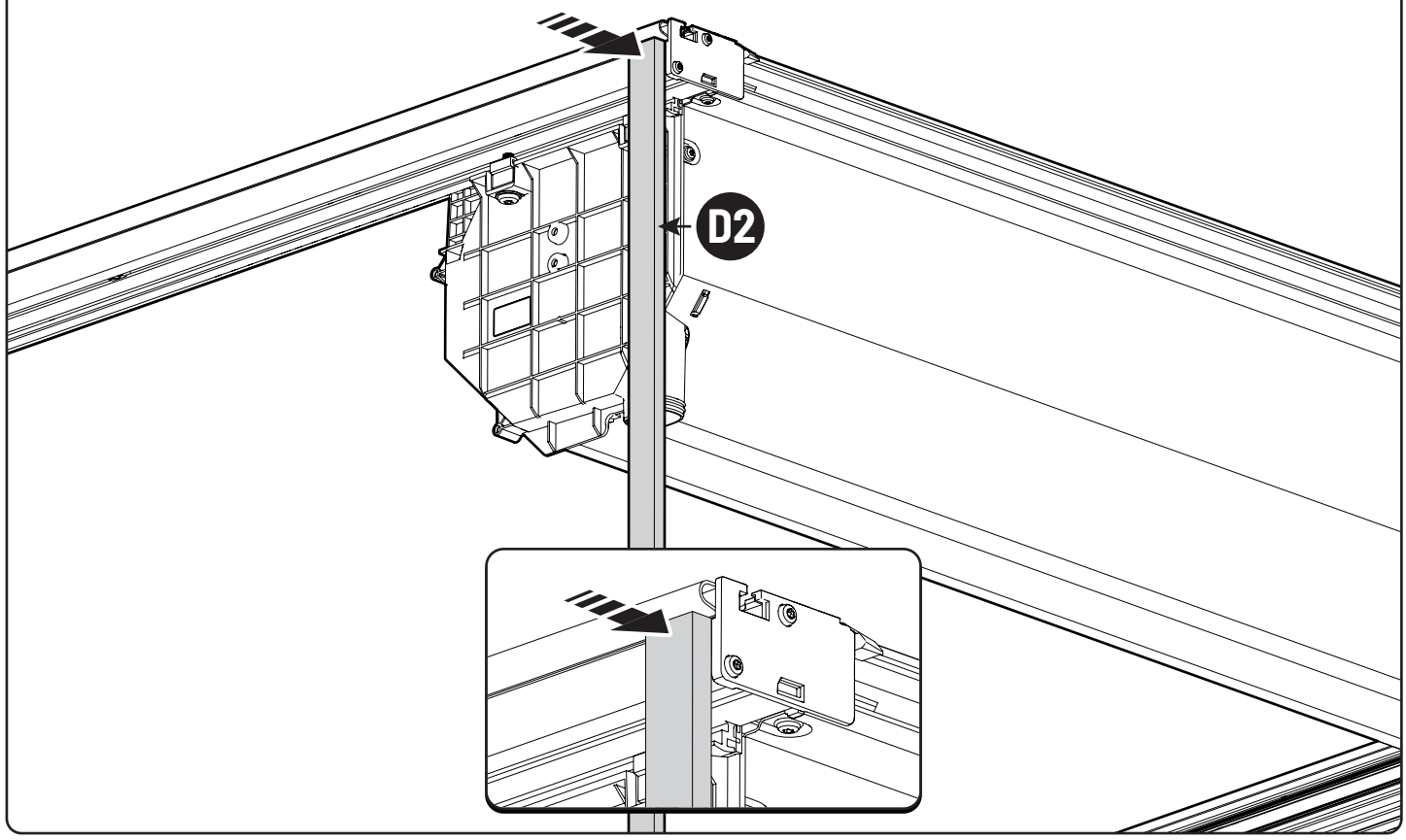
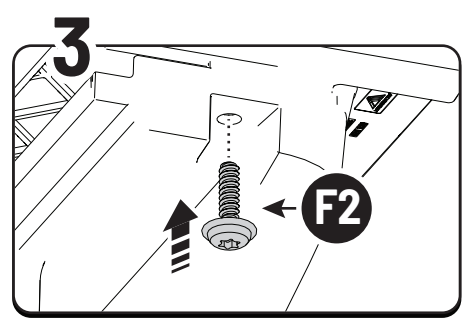
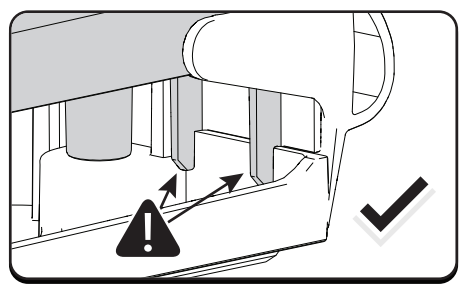
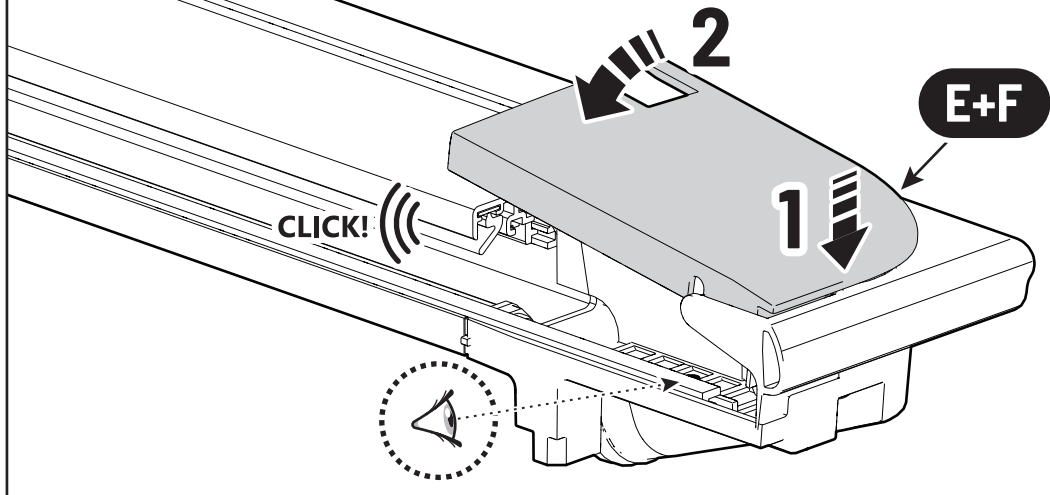


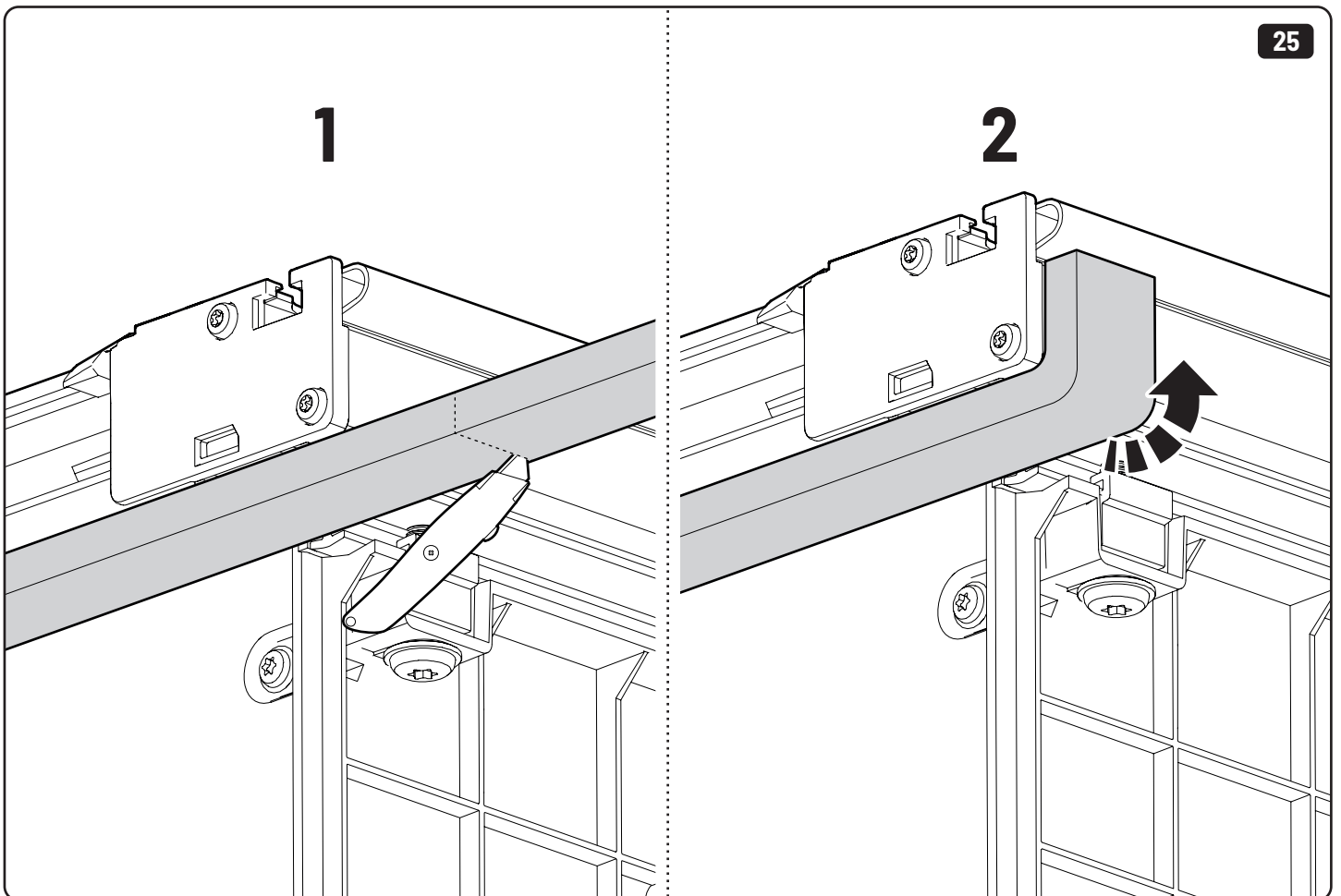
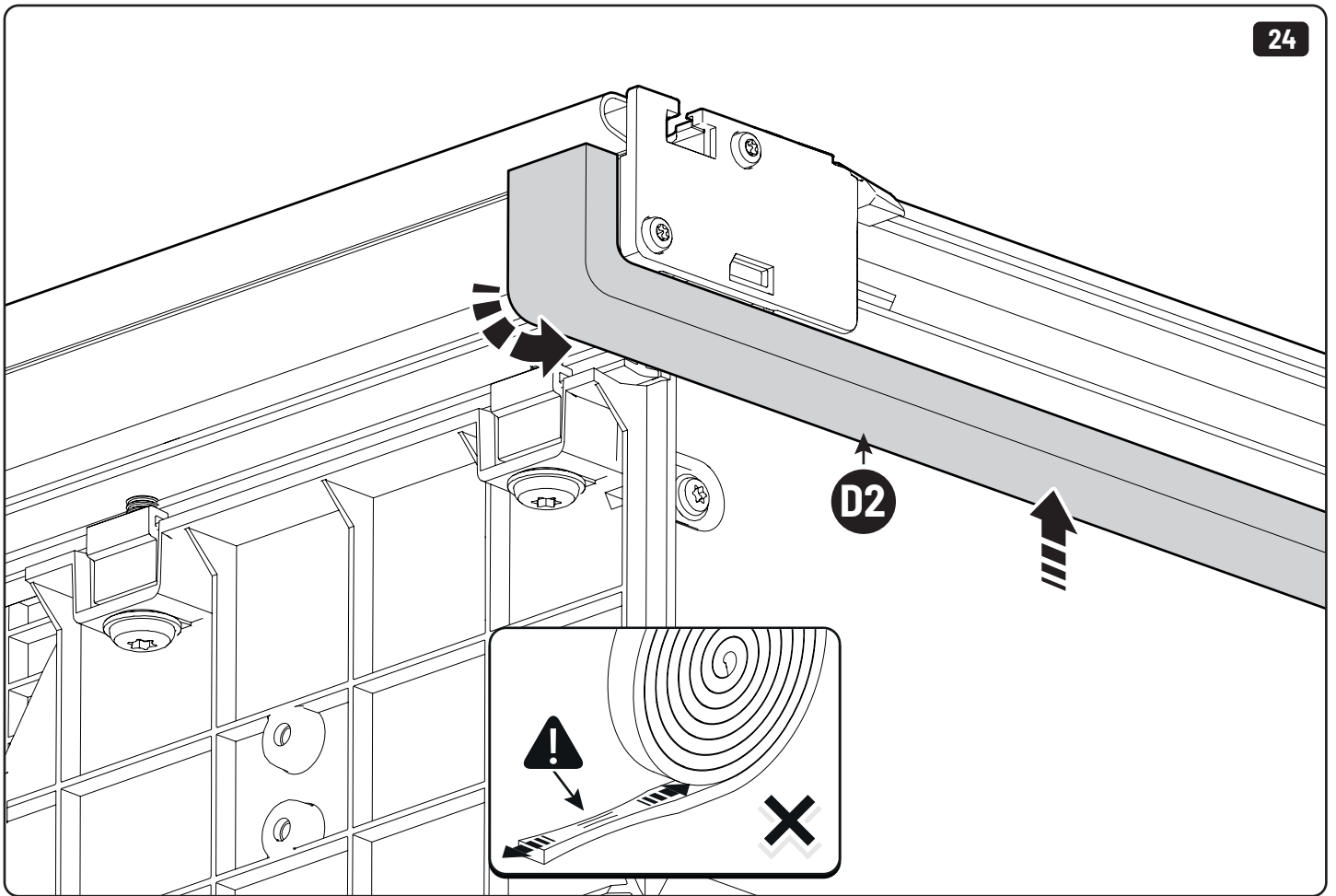


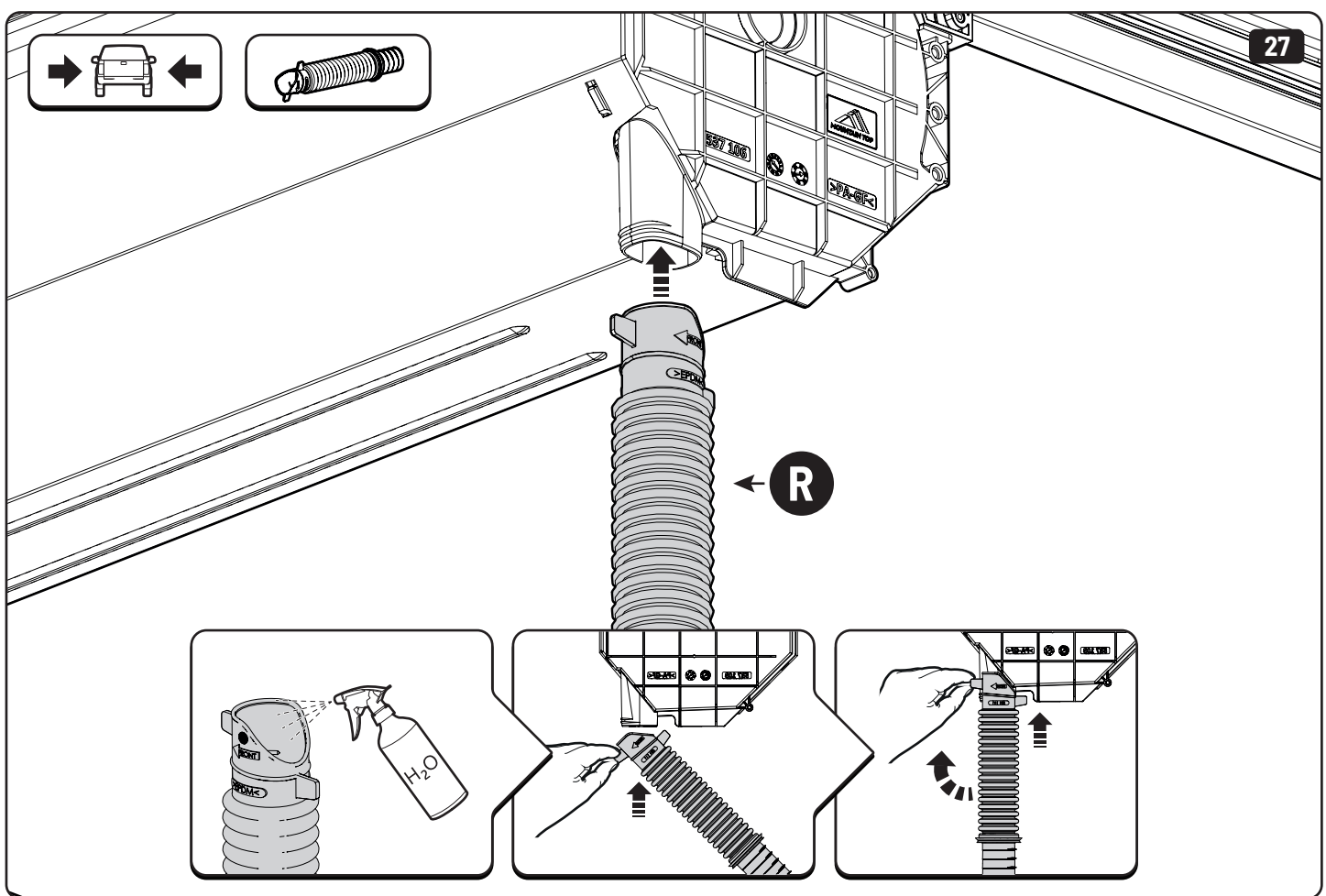
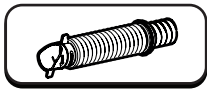
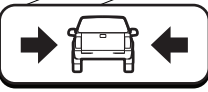
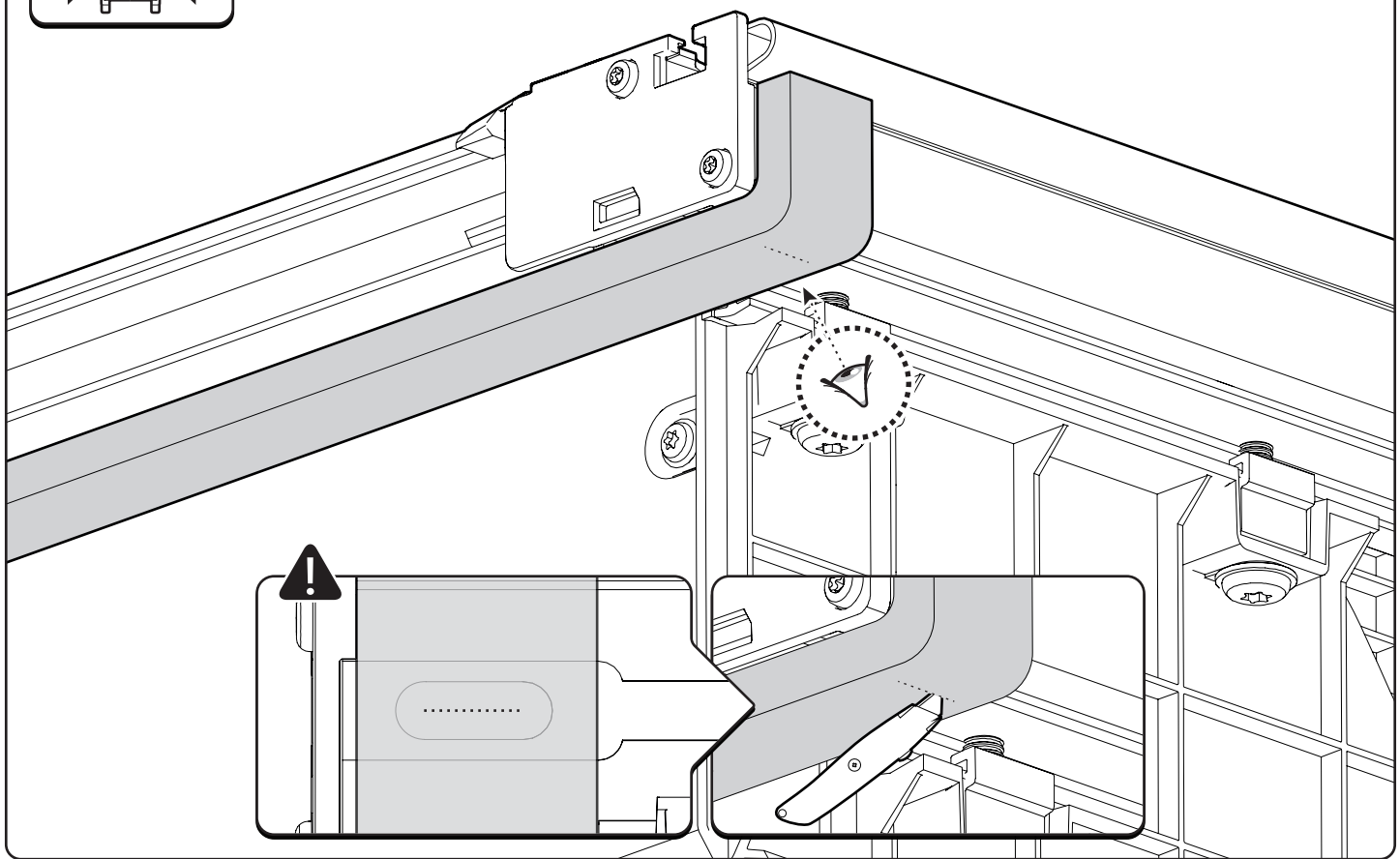
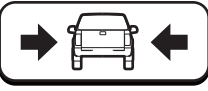


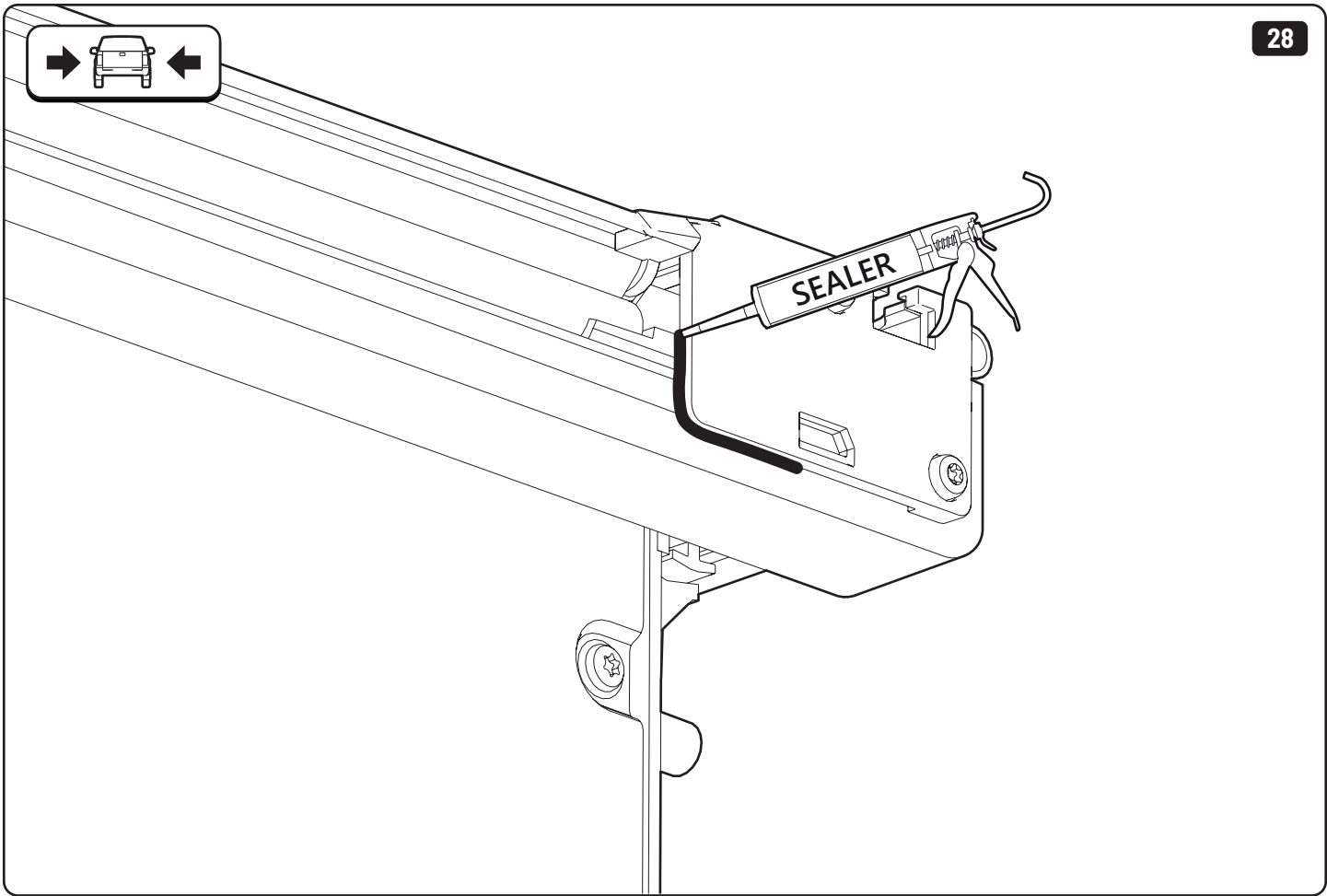


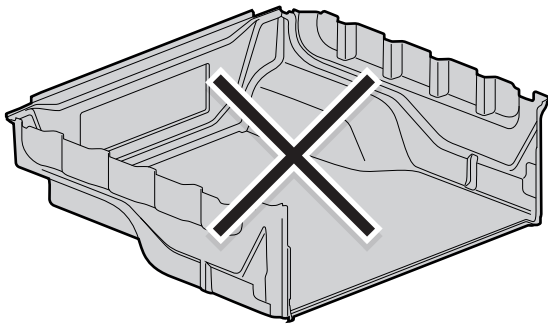
→  ← T20 2,4Nm



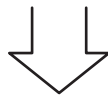
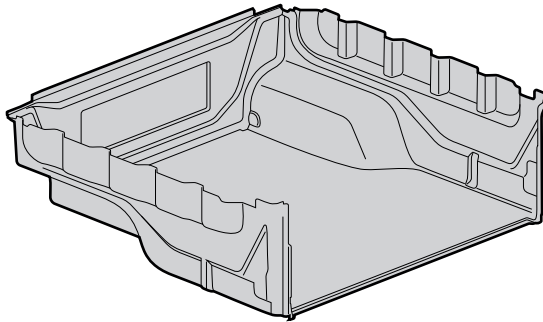
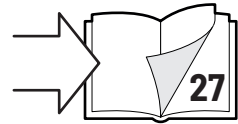






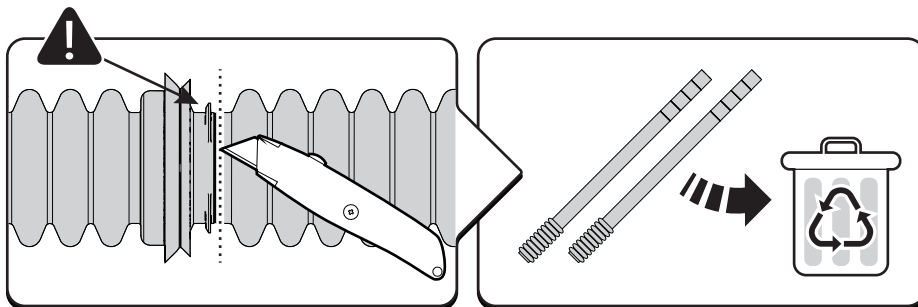
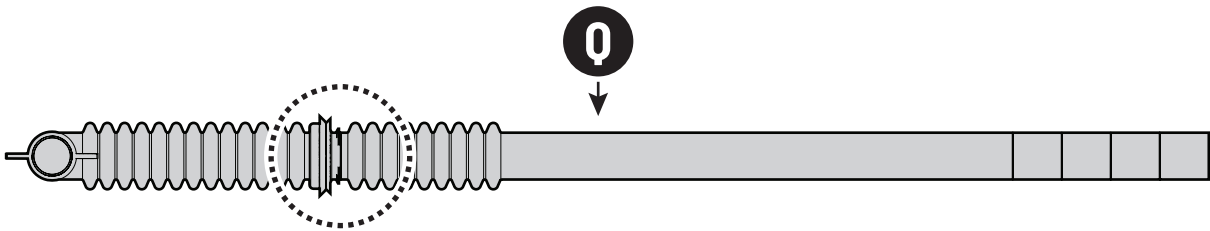


+ **SPRAY-IN
BEDLINER**

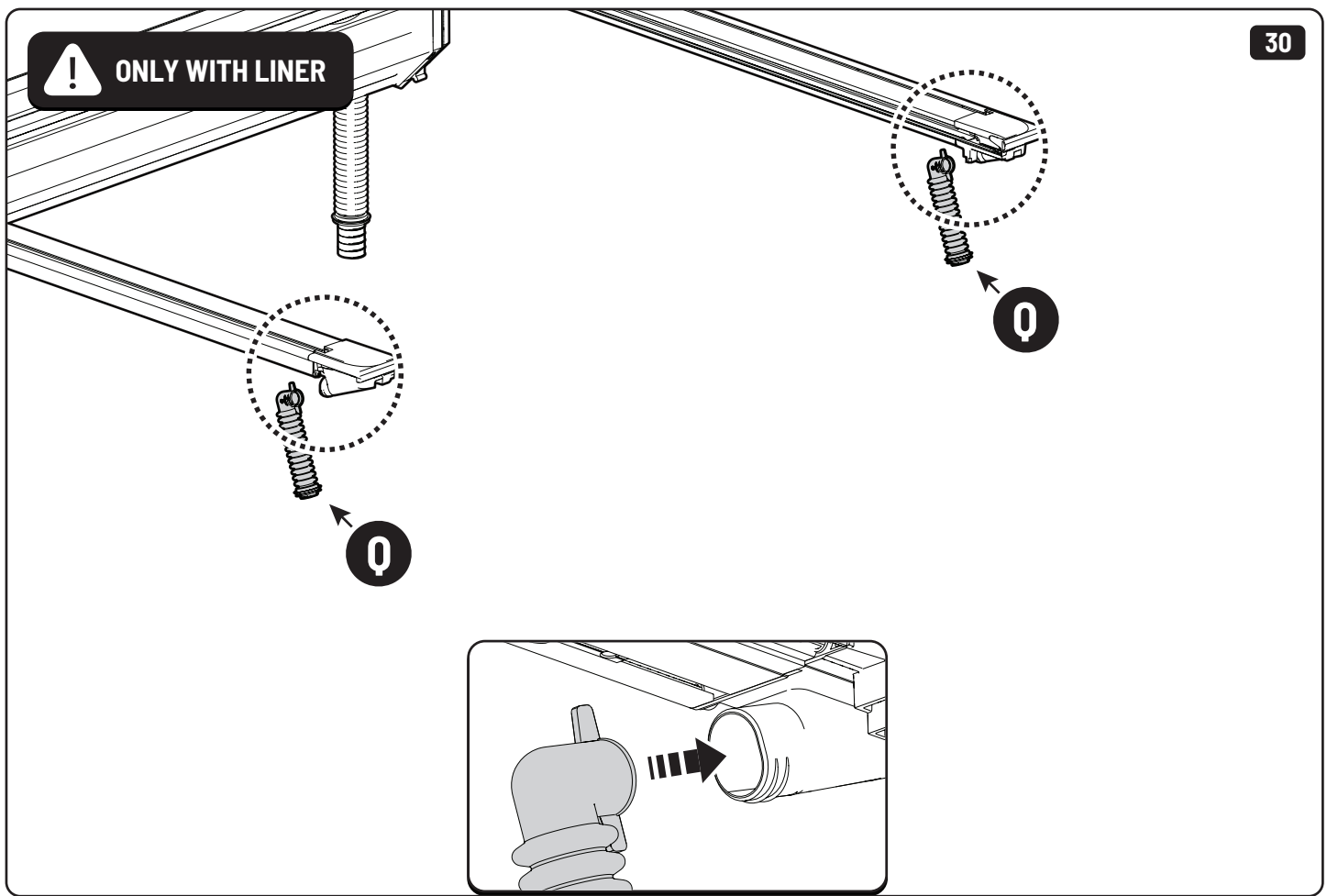


! **ONLY WITH LINER**

29



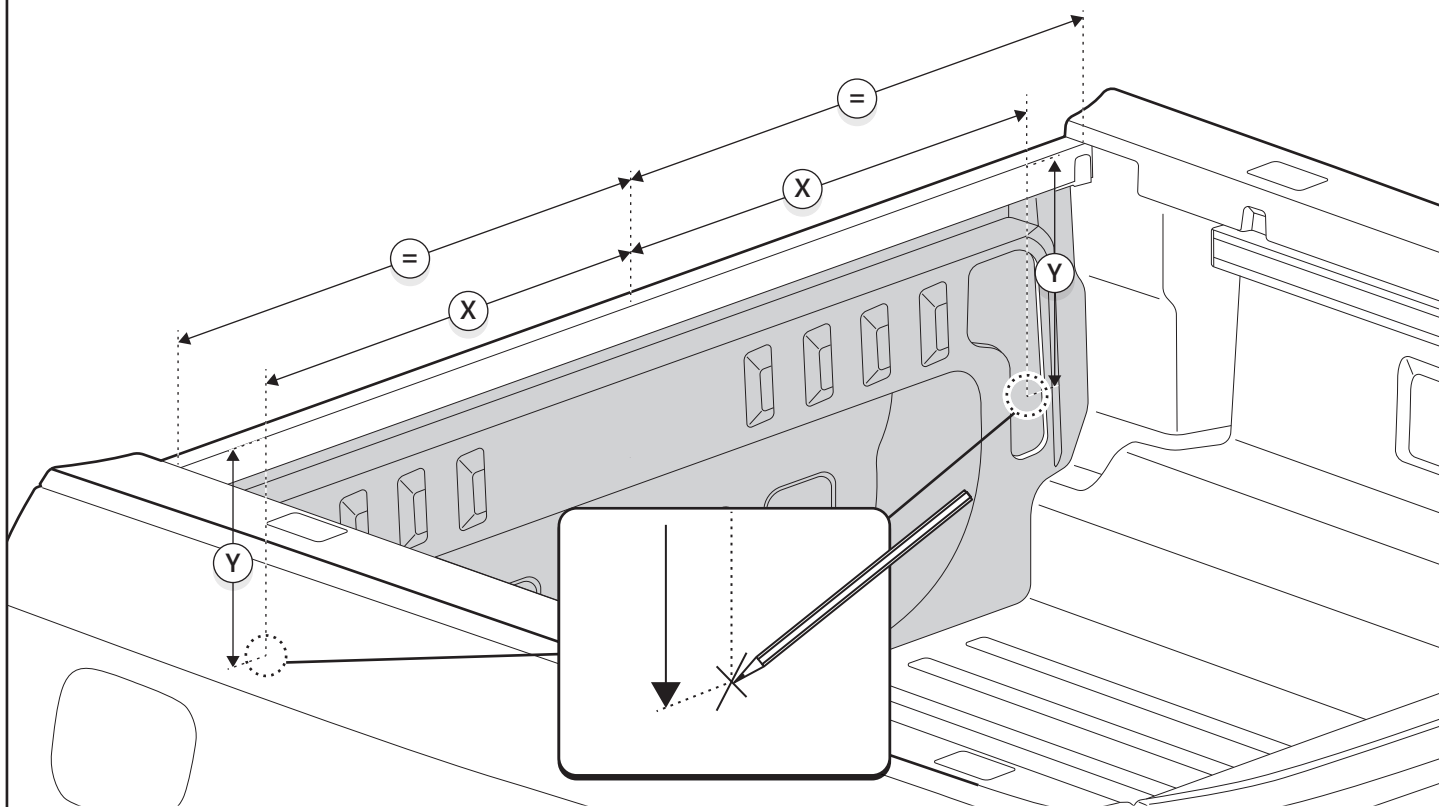
! ONLY WITH LINER



! ONLY WITH LINER

! EUROPEAN MODEL

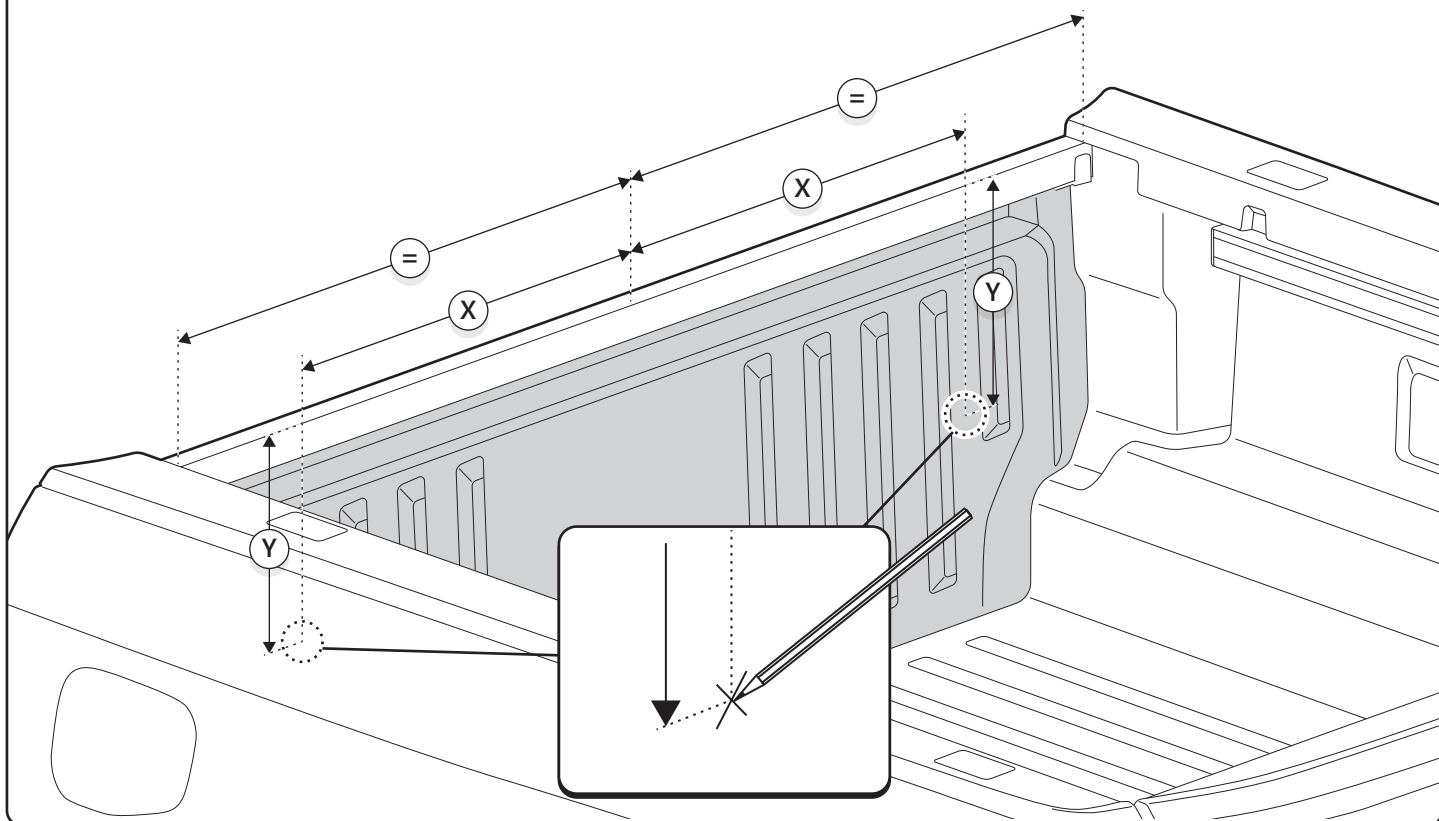
X: 650 mm Y: 290 mm



! ONLY WITH LINER

! OTHER MODELS

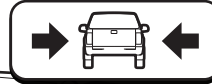
X: 560 mm Y: 330 mm



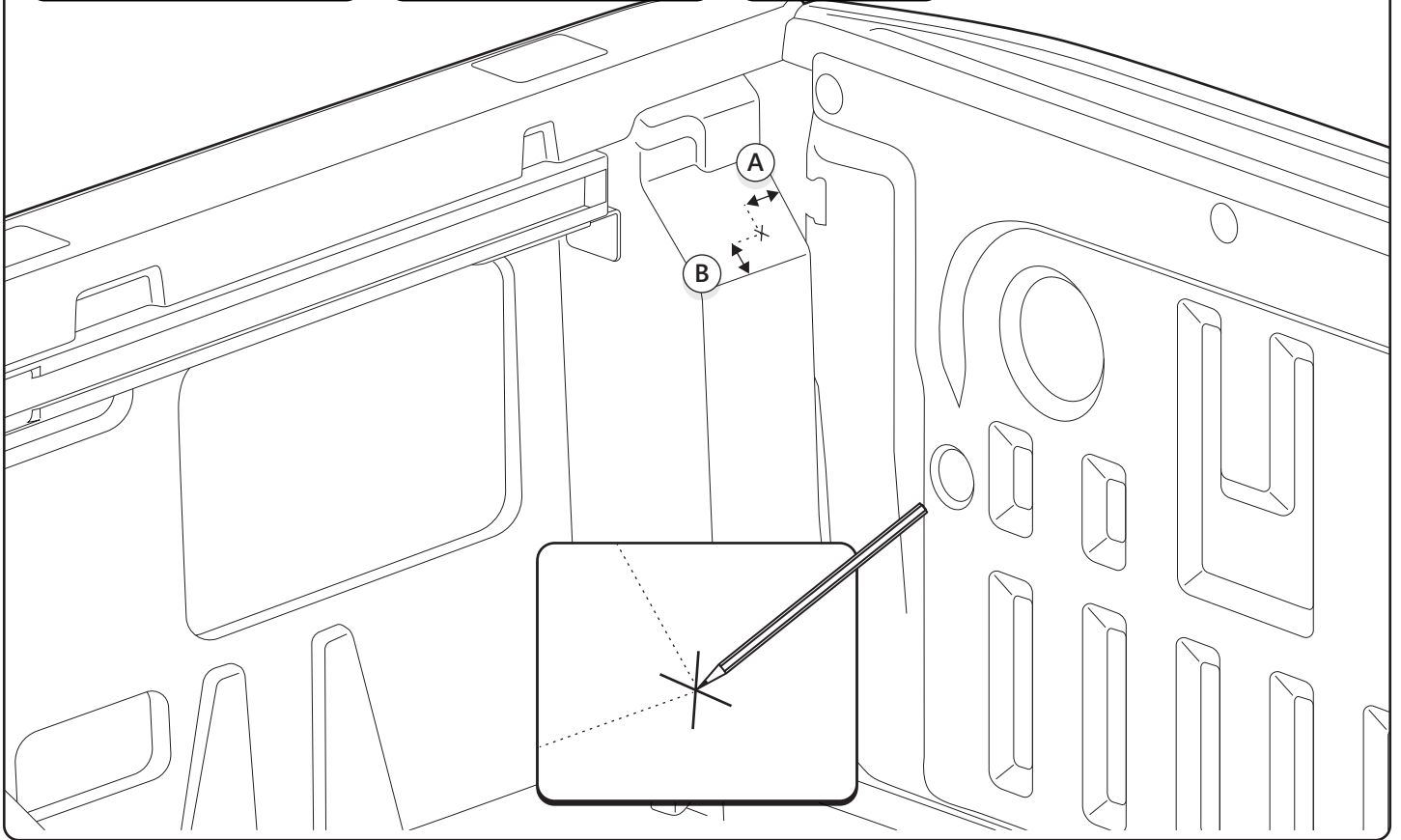


ONLY WITH LINER

A: 30 mm B: 20 mm



32

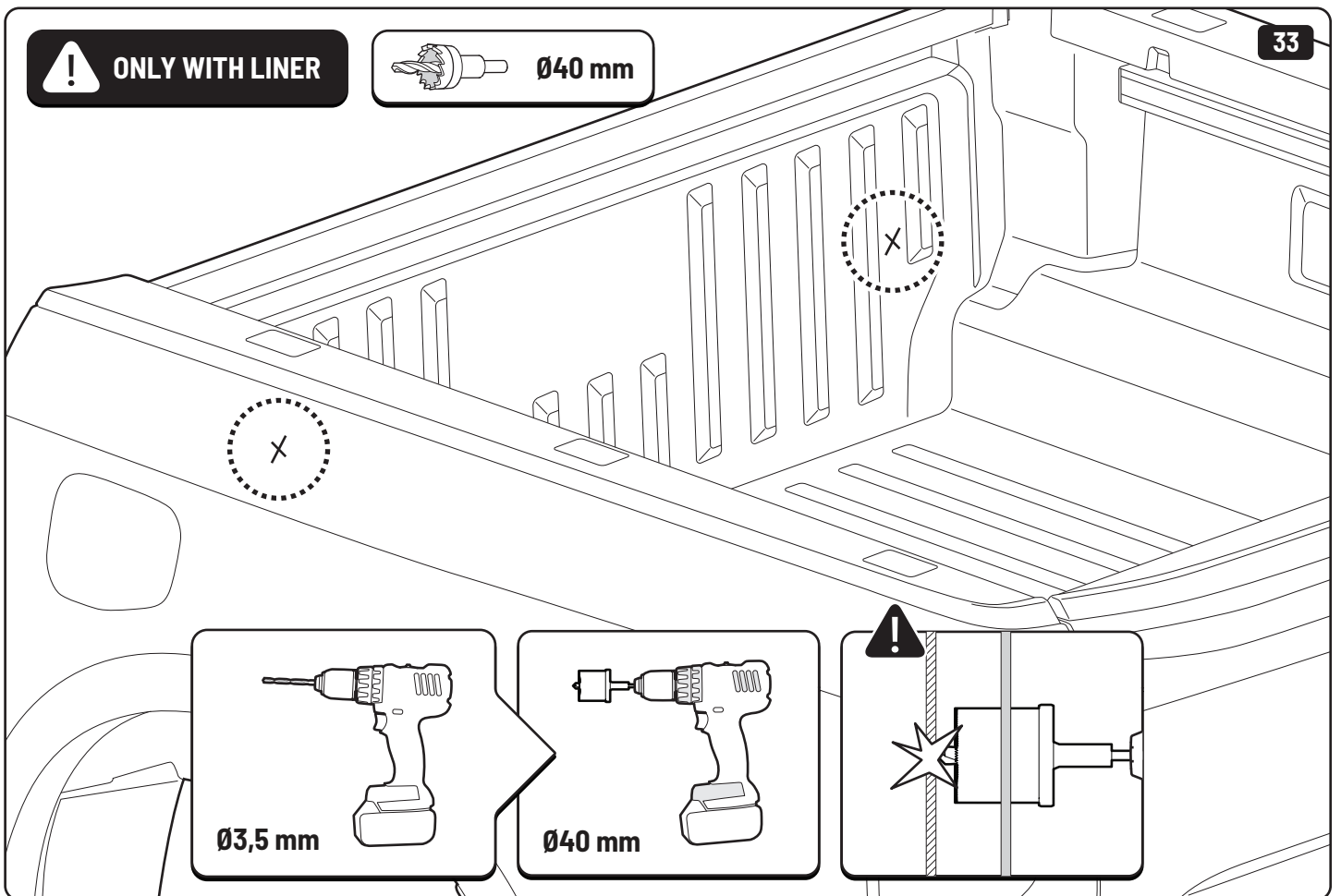


ONLY WITH LINER



Ø40 mm

33

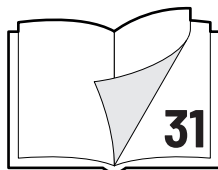
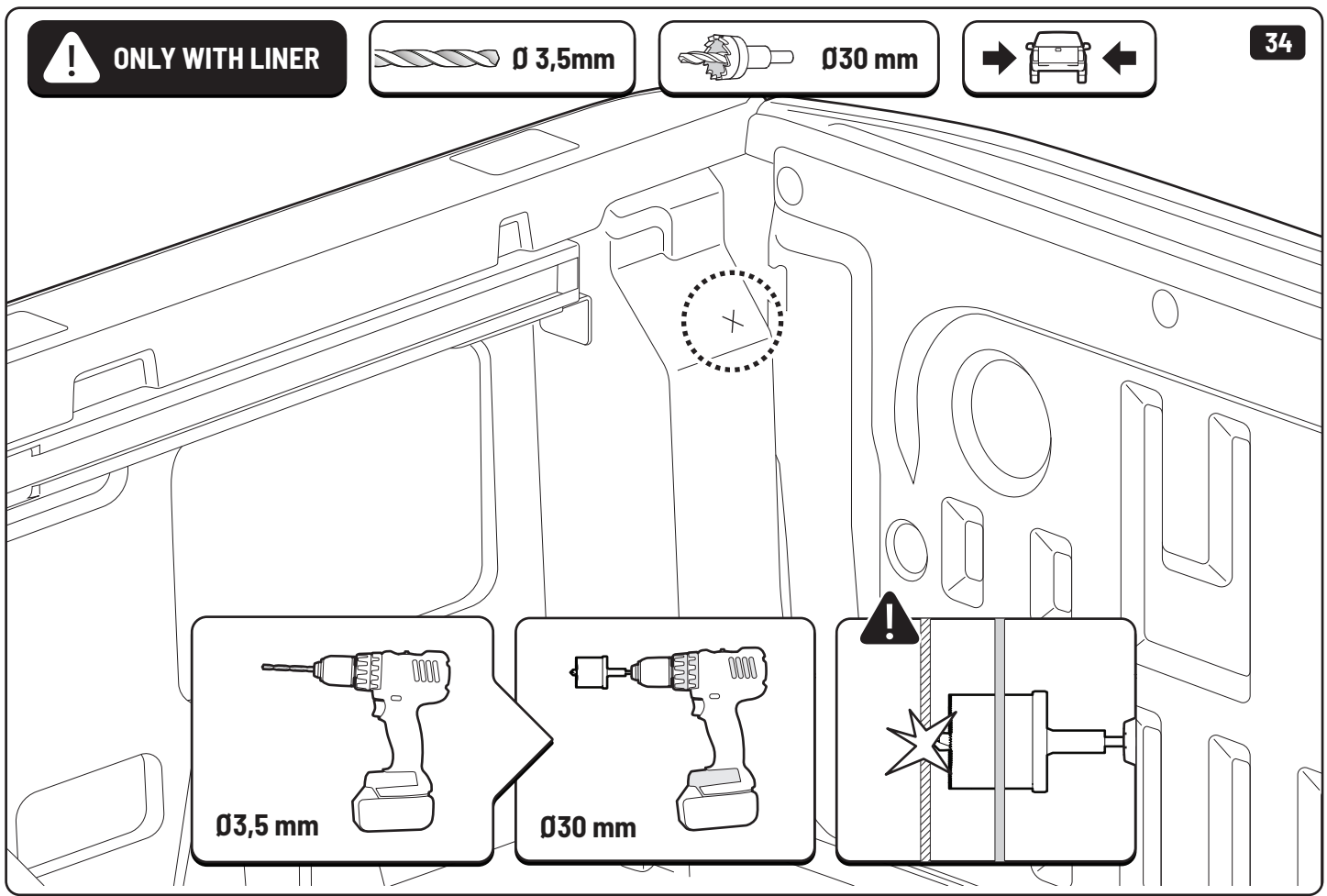


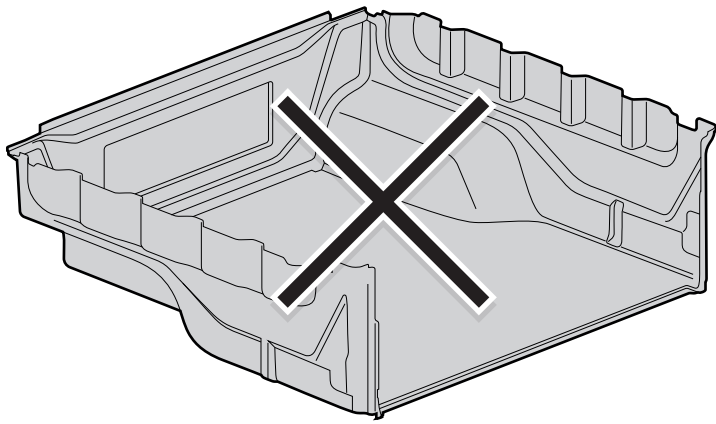


ONLY WITH LINER

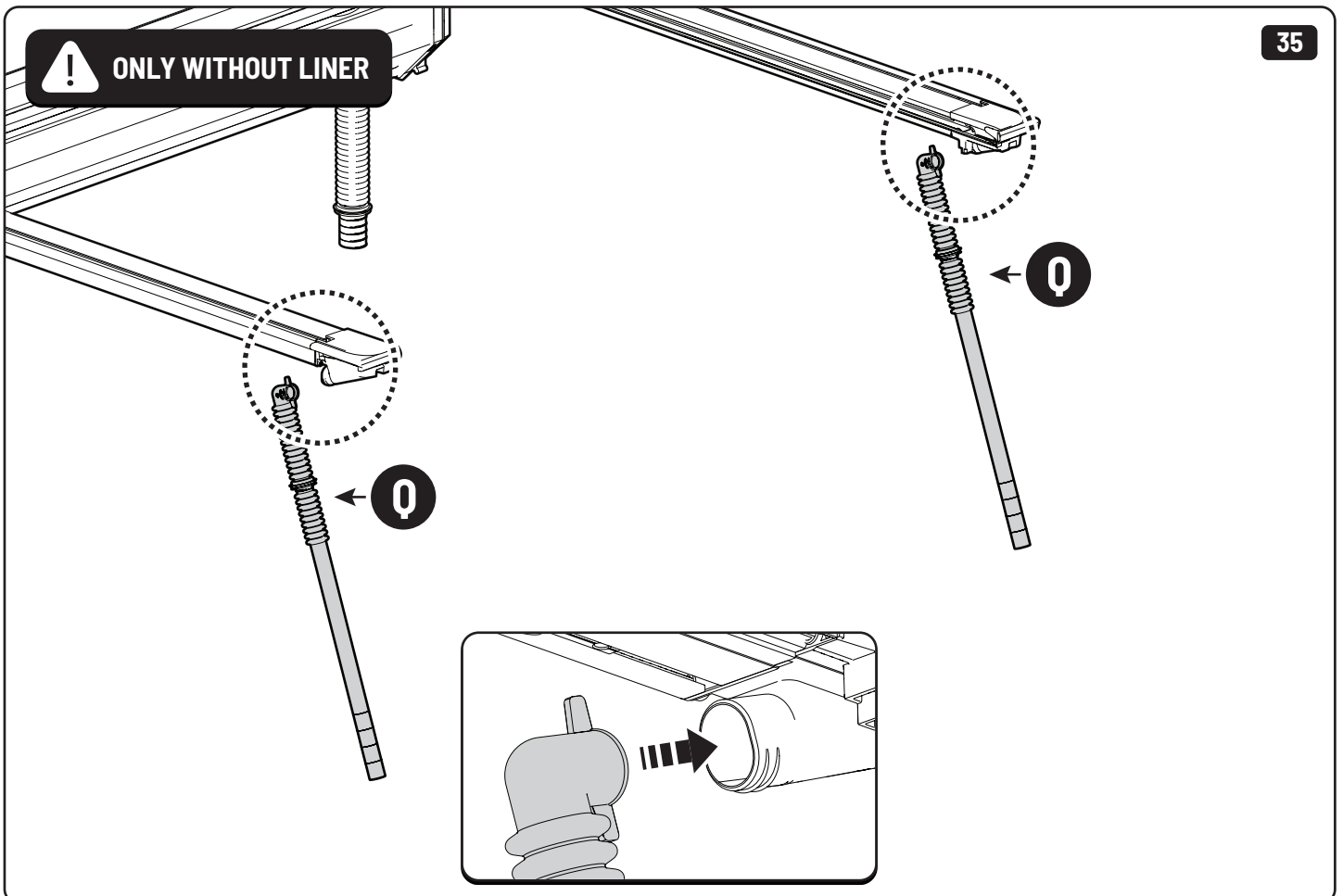
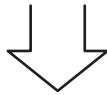


34





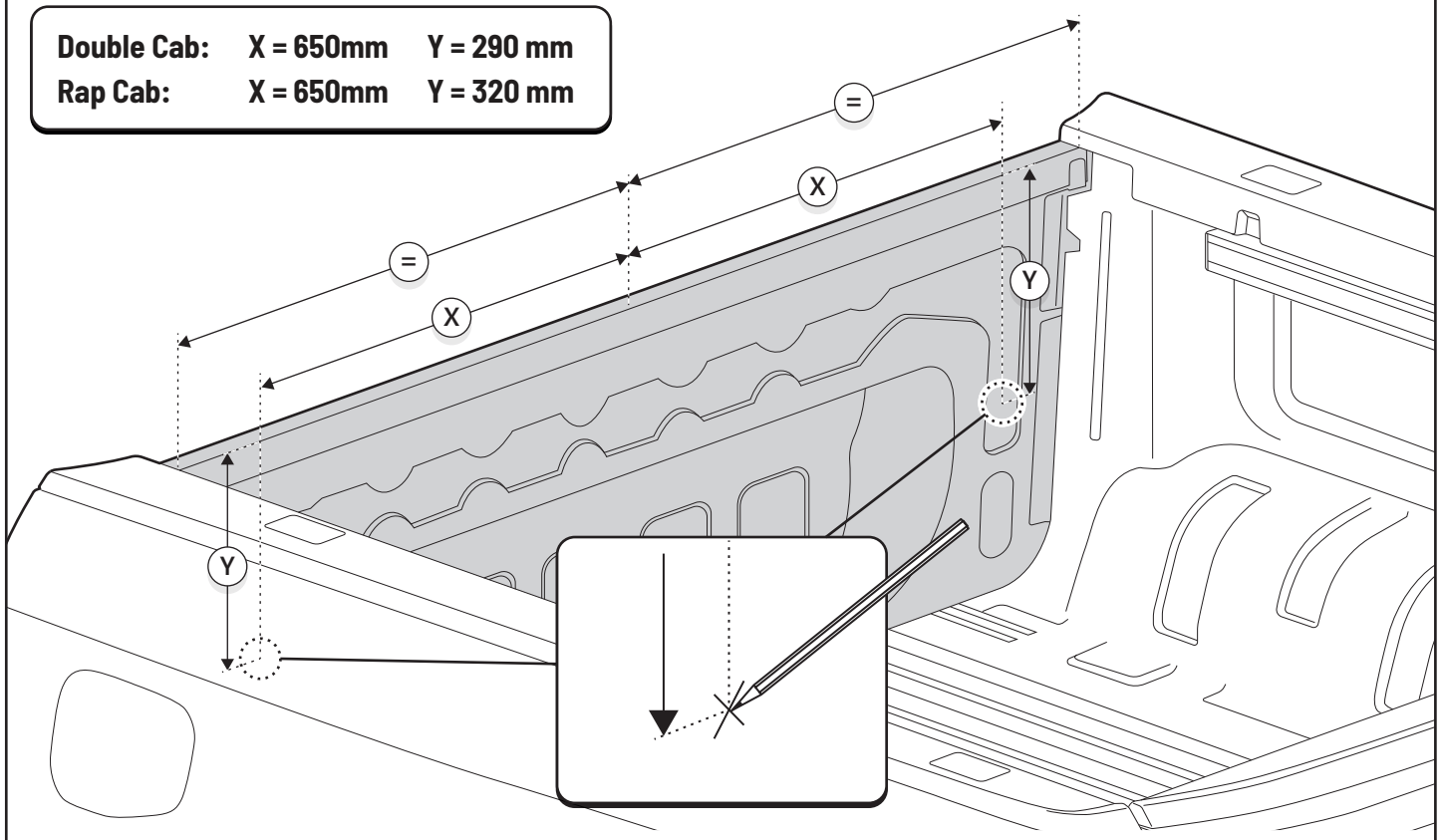
+ **SPRAY-IN
BEDLINER**



! ONLY WITHOUT LINER

! EUROPEAN MODEL

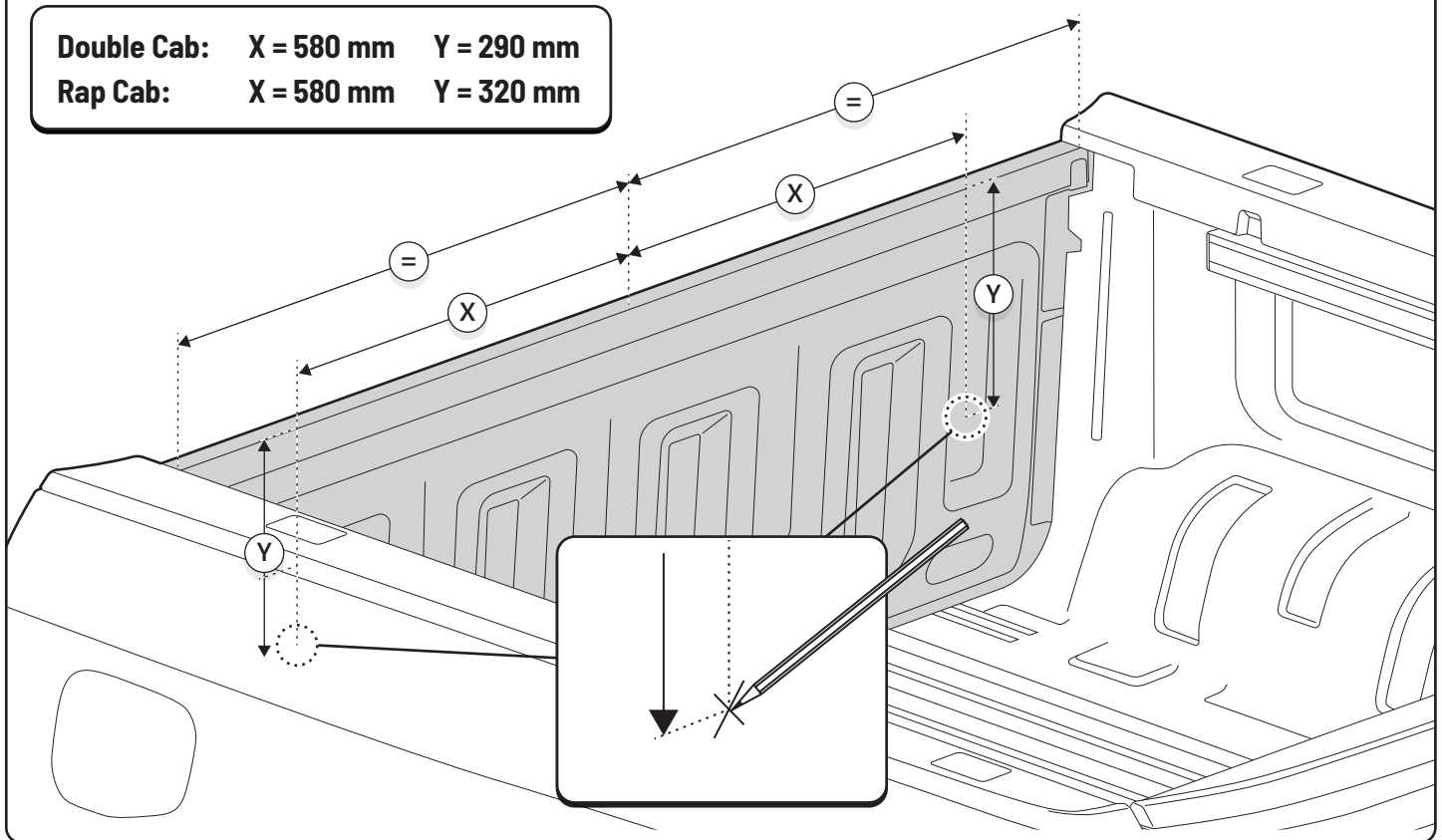
Double Cab: X = 650mm Y = 290 mm
Rap Cab: X = 650mm Y = 320 mm



! ONLY WITHOUT LINER

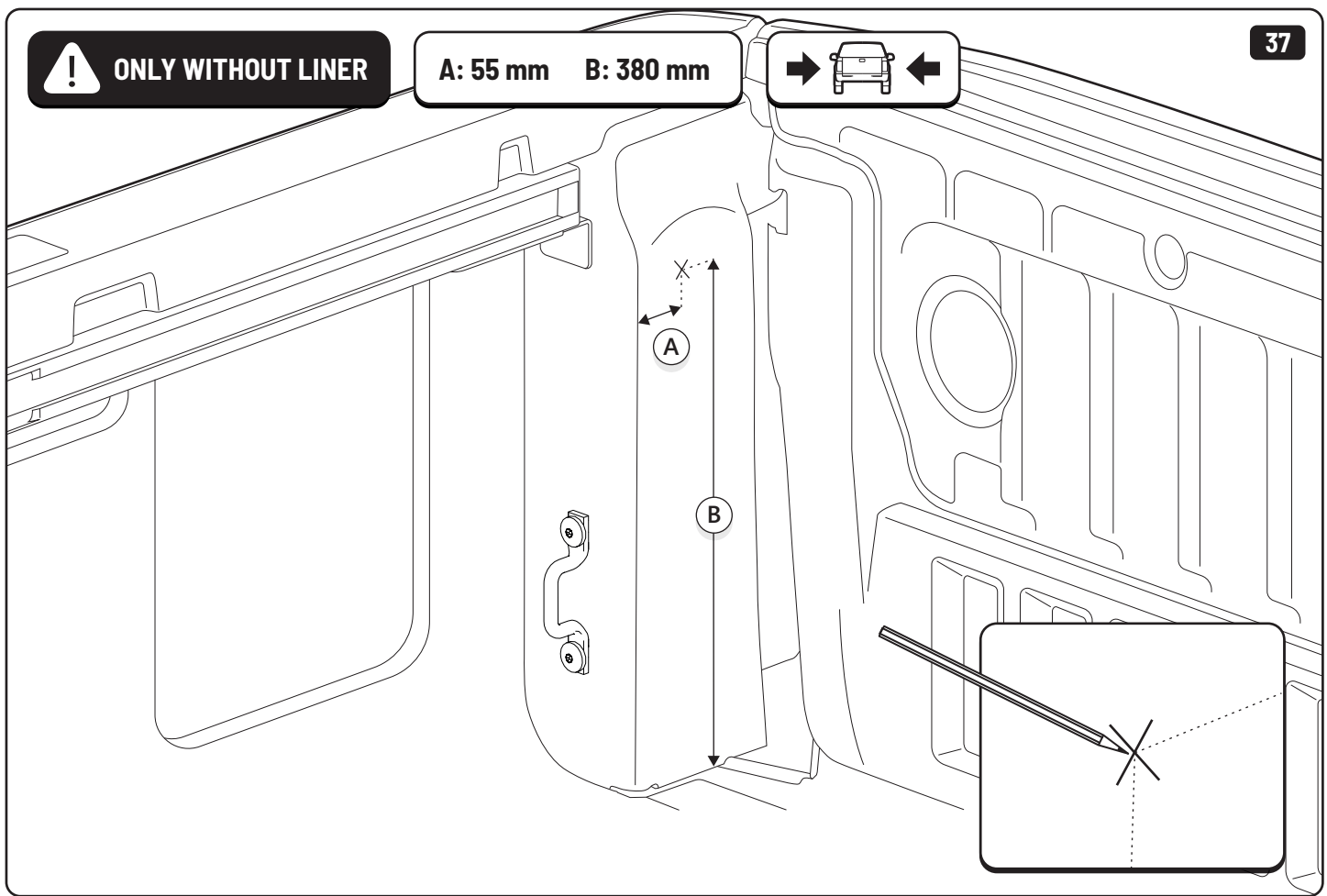
! OTHER MODELS

Double Cab: X = 580 mm Y = 290 mm
Rap Cab: X = 580 mm Y = 320 mm



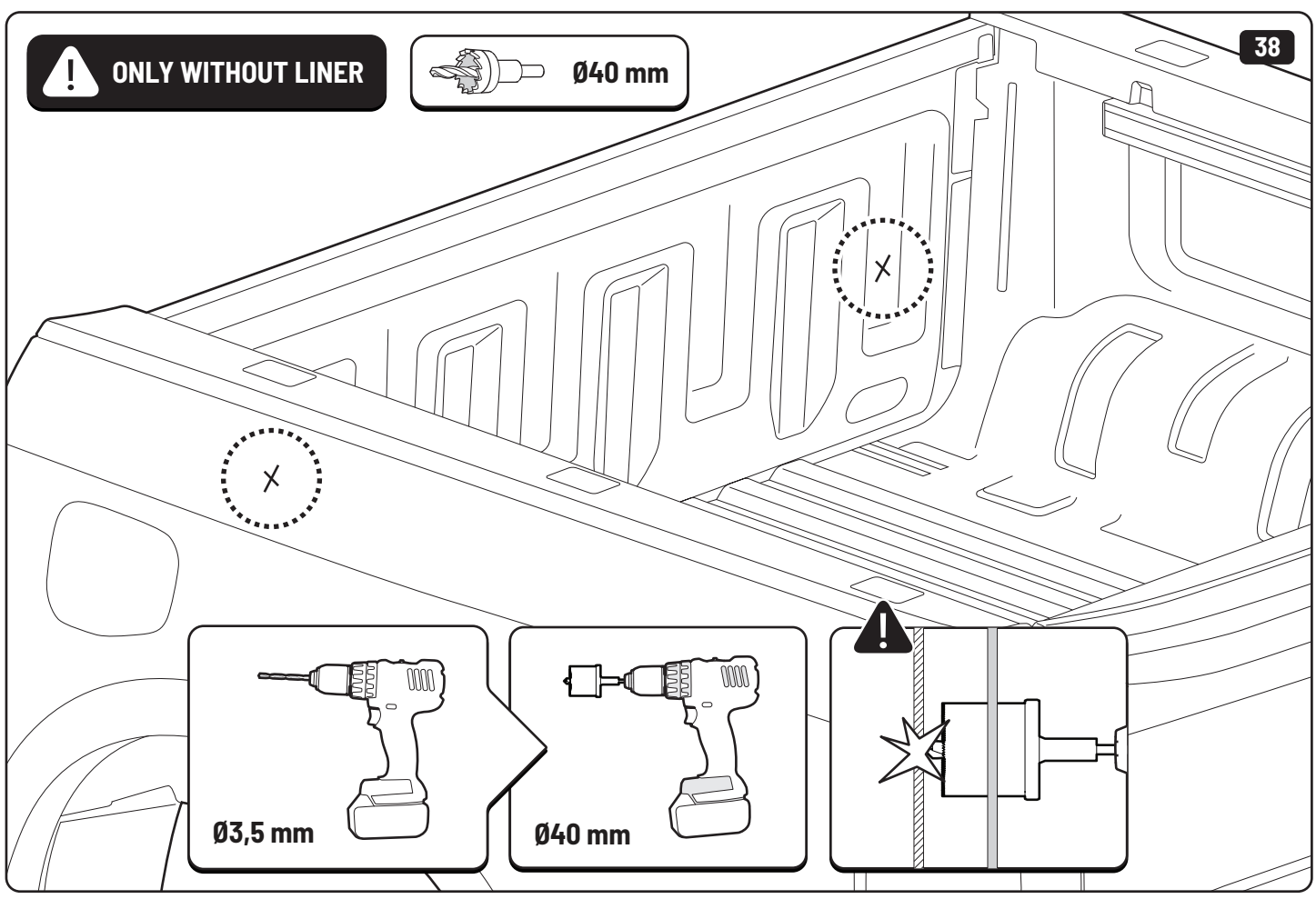
! ONLY WITHOUT LINER

A: 55 mm B: 380 mm



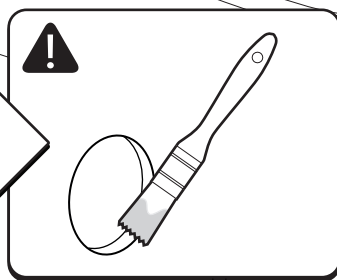
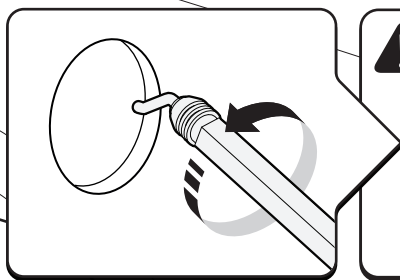
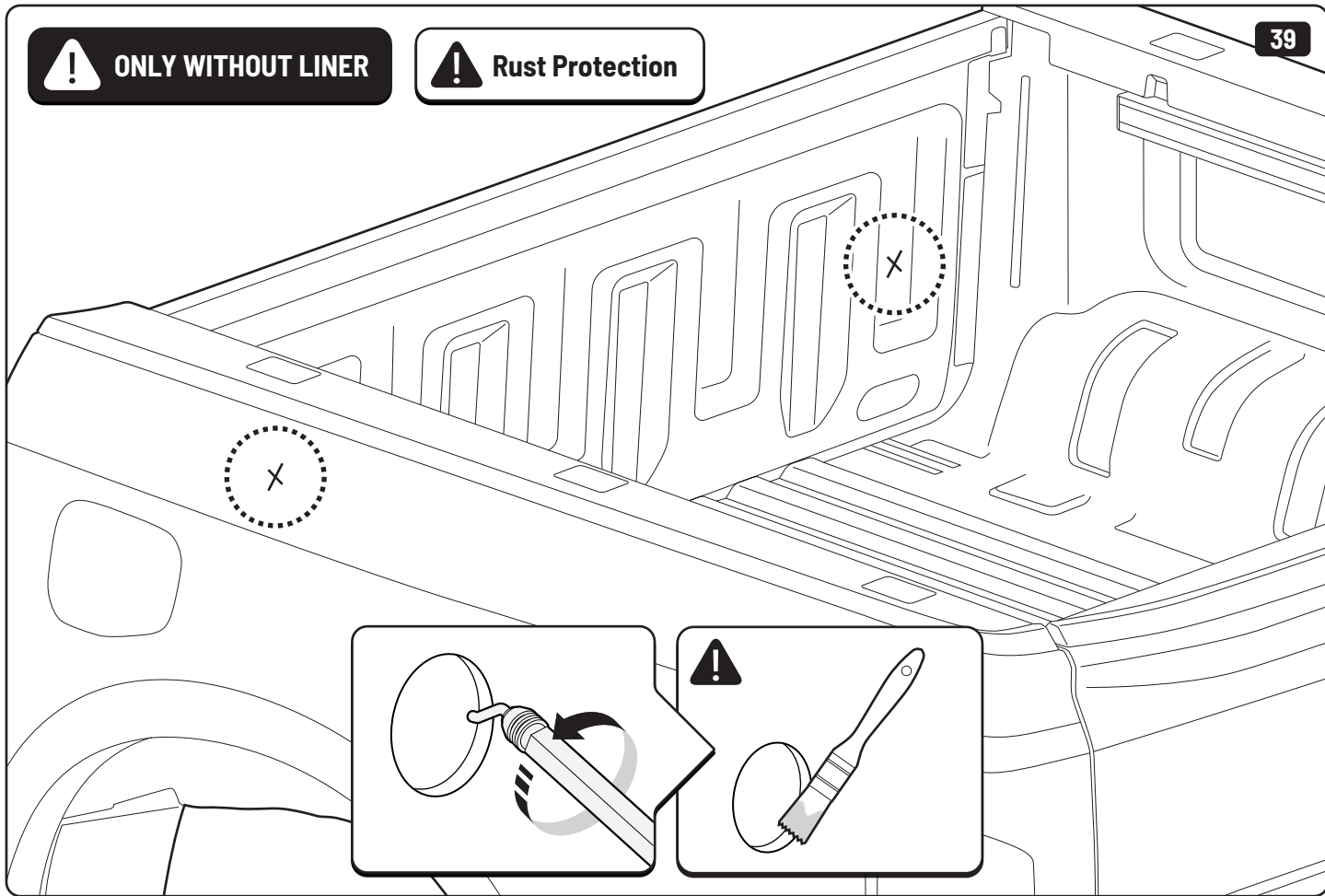
! ONLY WITHOUT LINER

Ø40 mm



! ONLY WITHOUT LINER

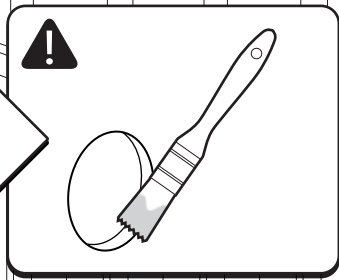
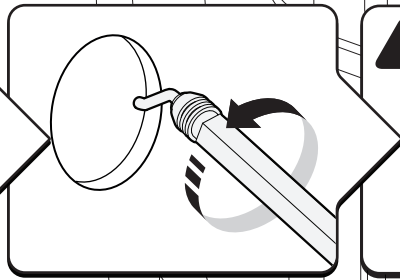
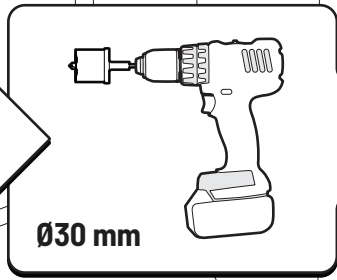
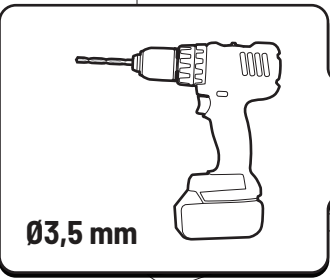
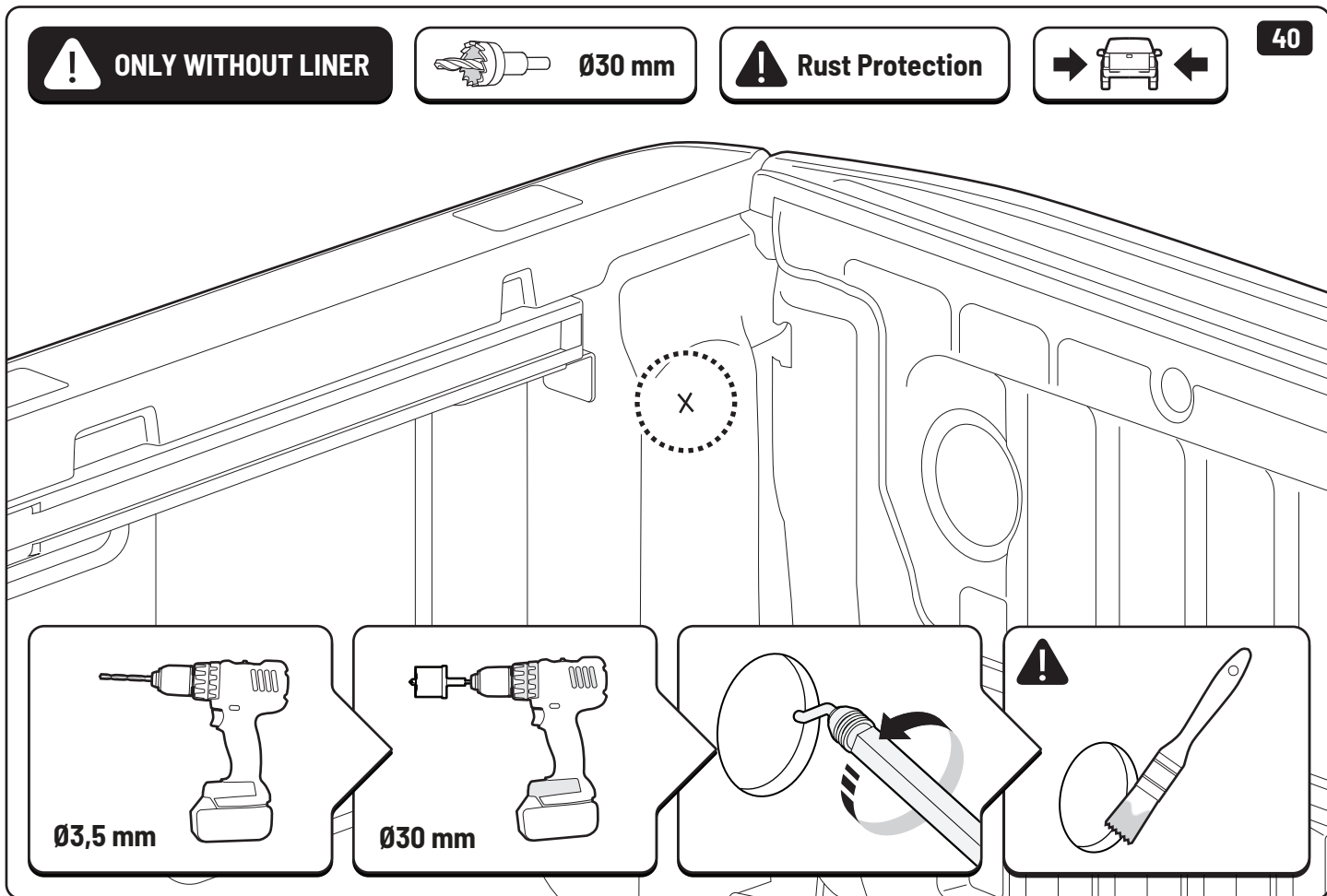
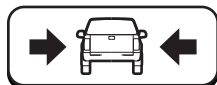
! Rust Protection

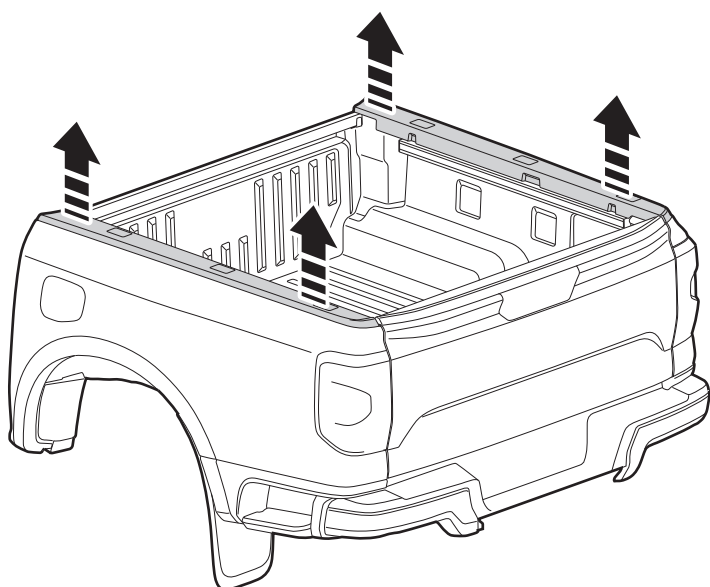


! ONLY WITHOUT LINER

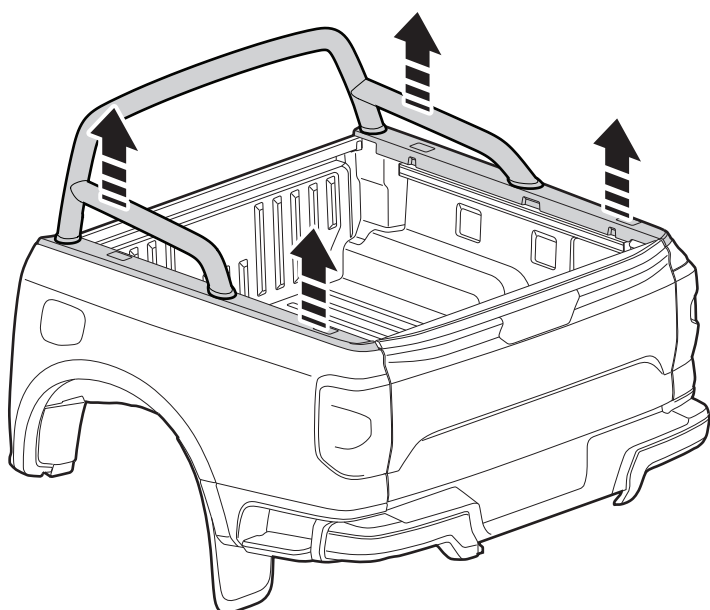
 Ø30 mm

! Rust Protection

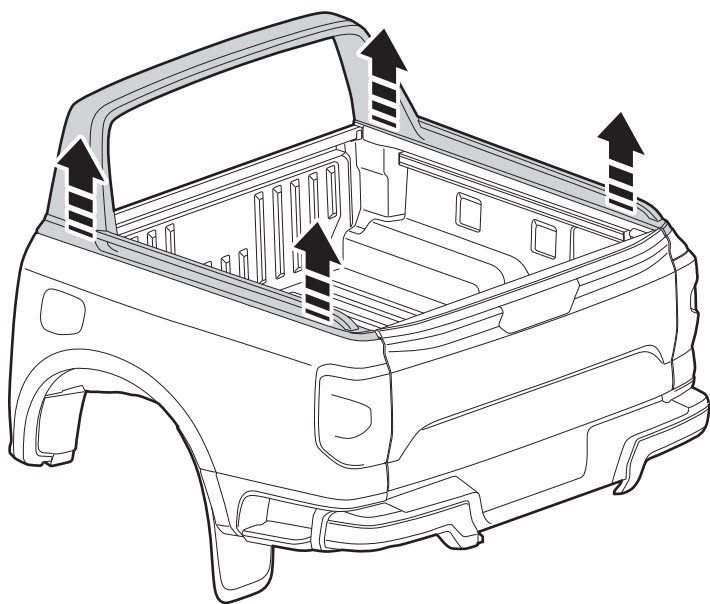




Ford XLT / Raptor



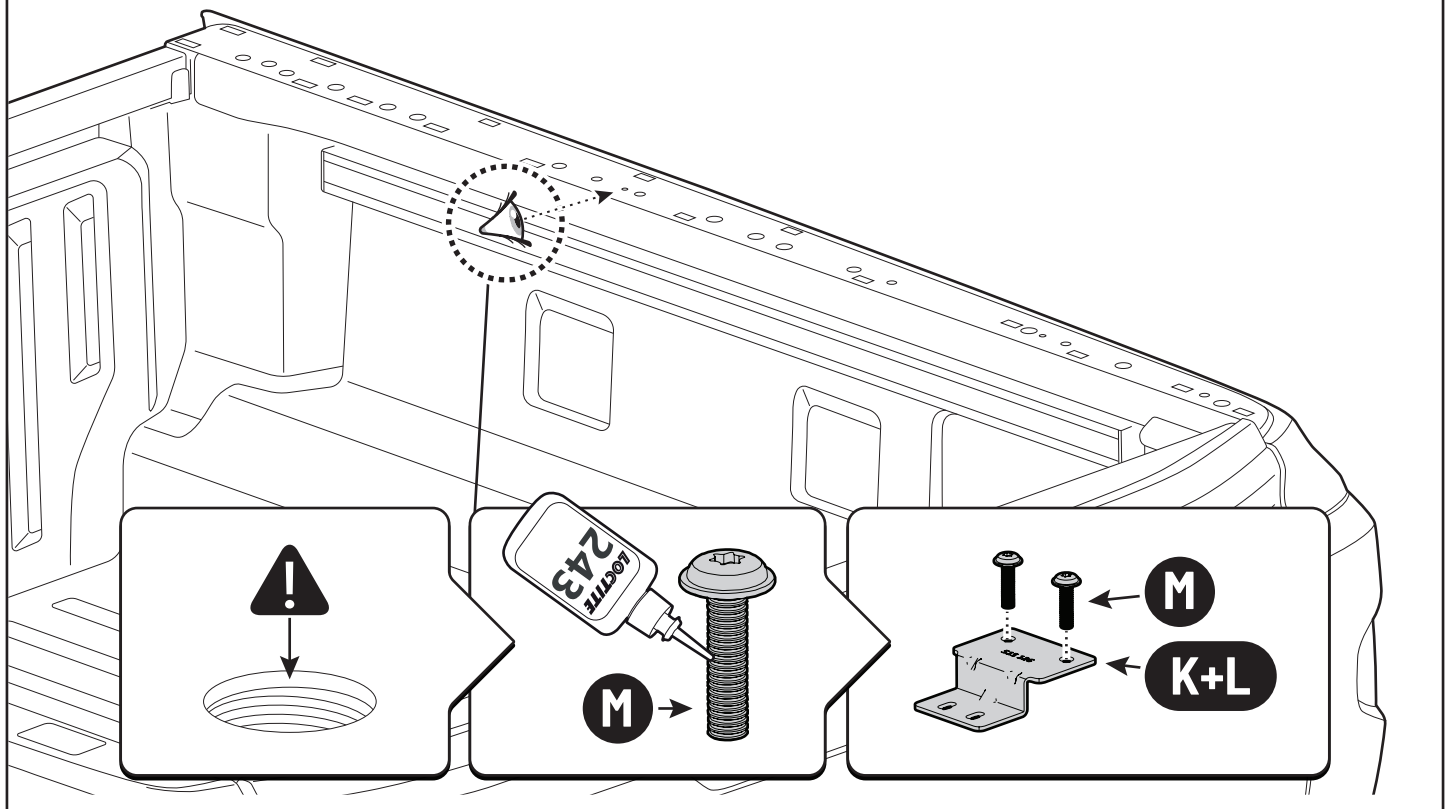
Ford XLT / Raptor



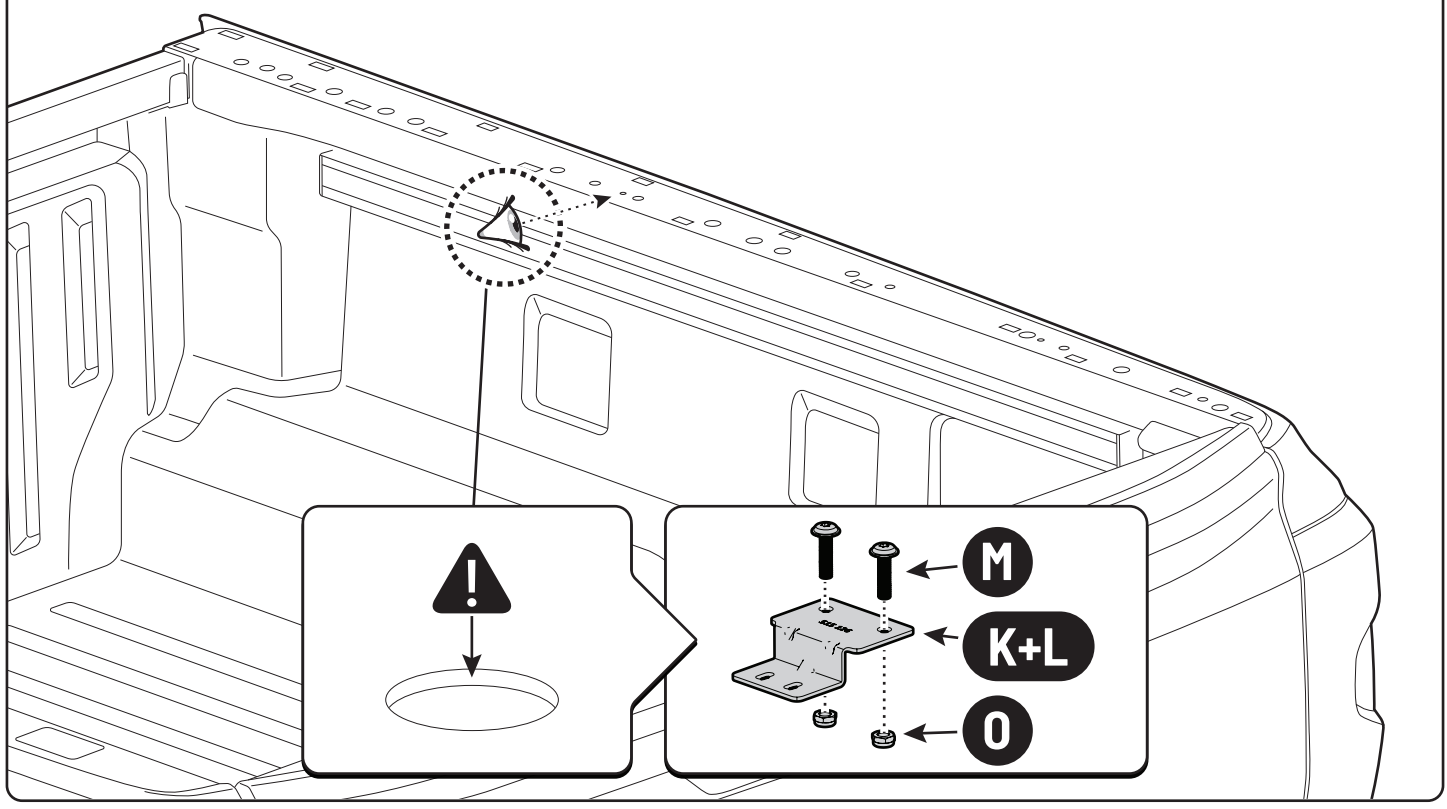
Ford Wildtrak

! ONLY FOR THREADED HOLES

LOCTITE 243

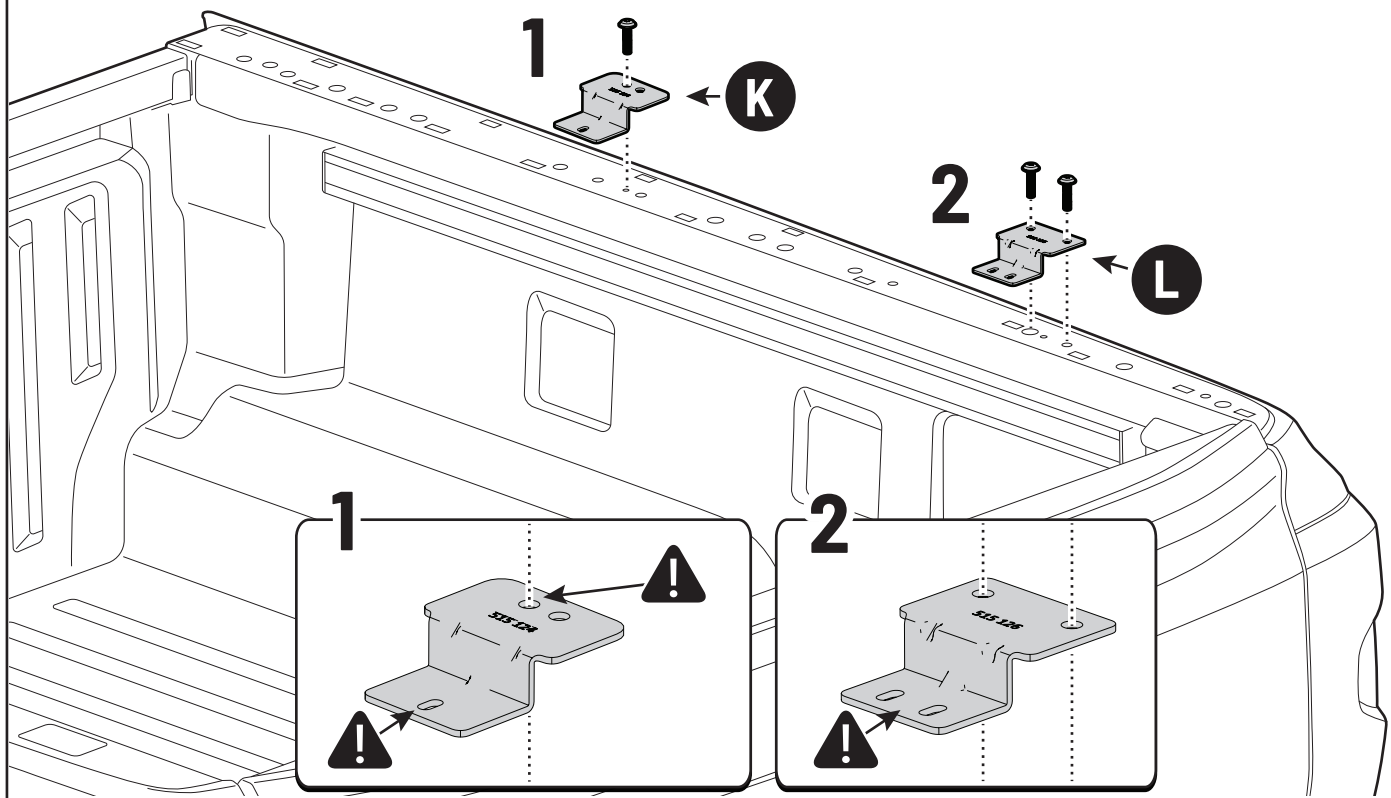


! ONLY FOR NON-THREADED HOLES



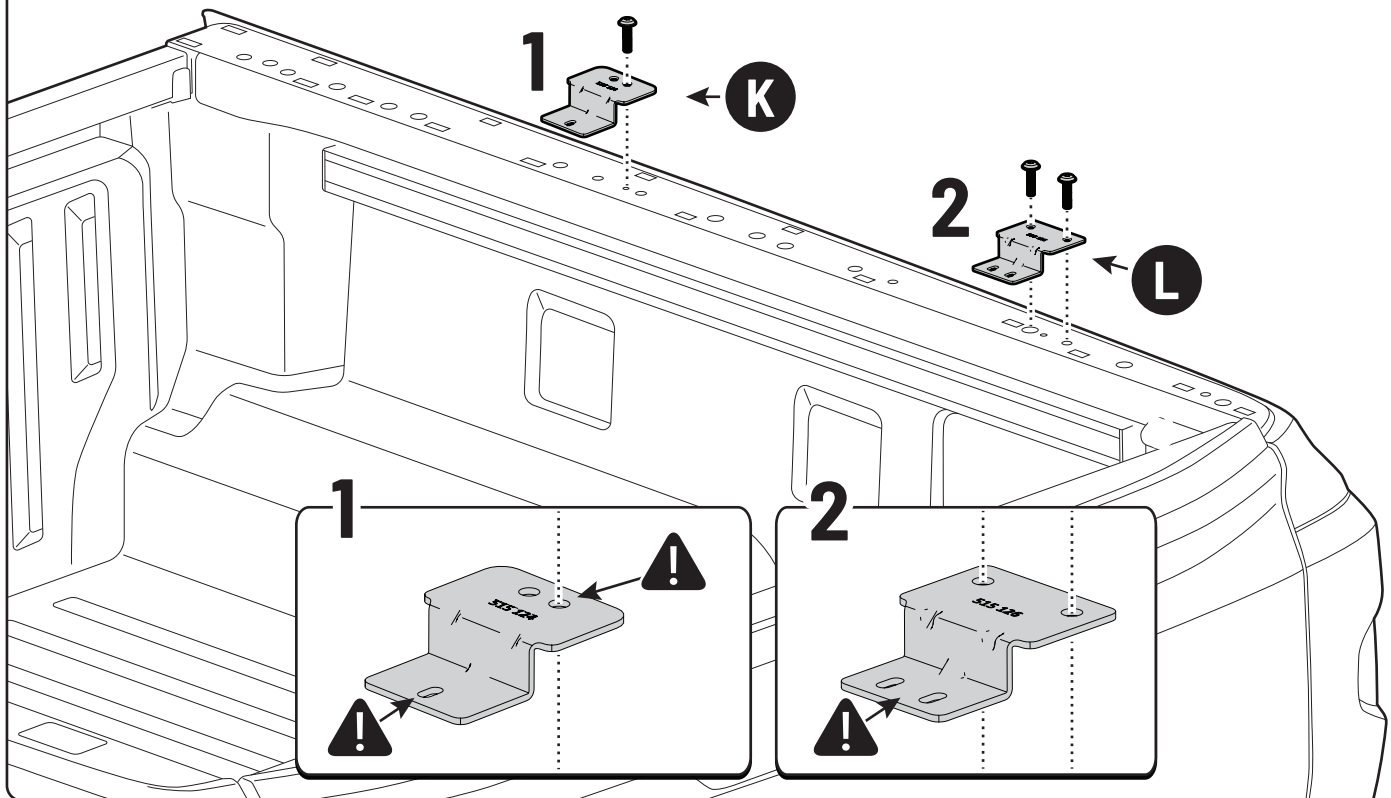
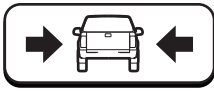
! FORD XLT / RAPTOR - DOUBLE CAB

T45 13 mm 25 Nm



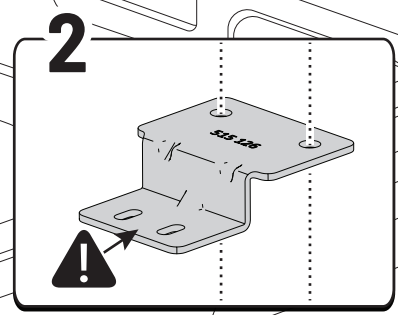
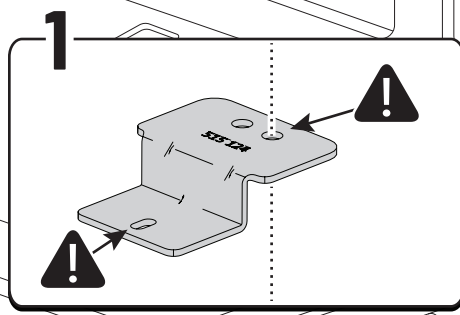
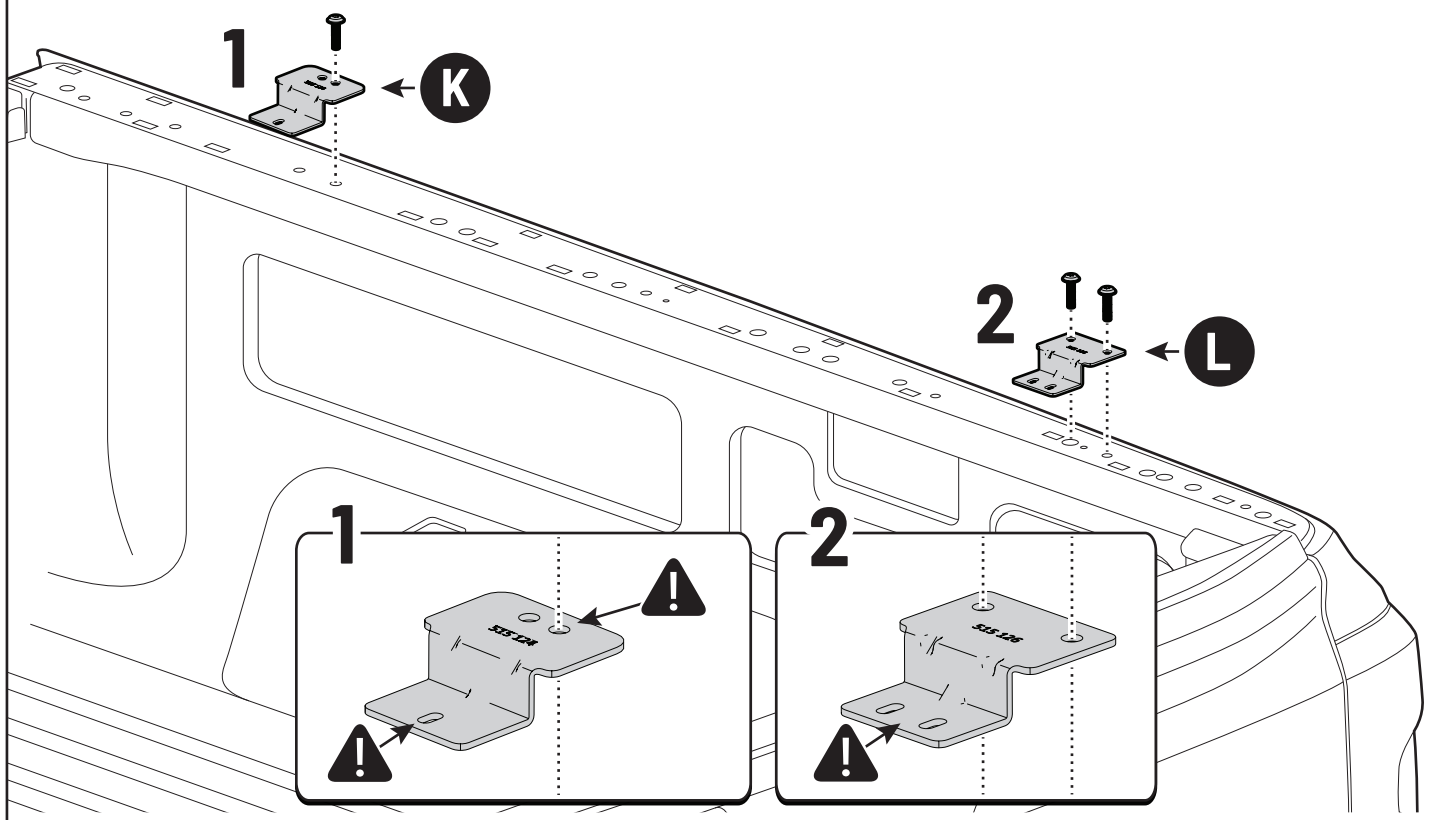
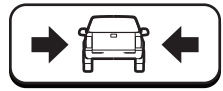
! FORD WILDTRAK - DOUBLE CAB

T45 13 mm 25 Nm



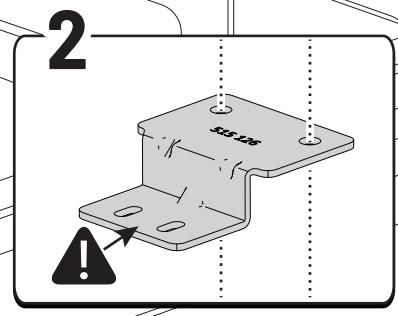
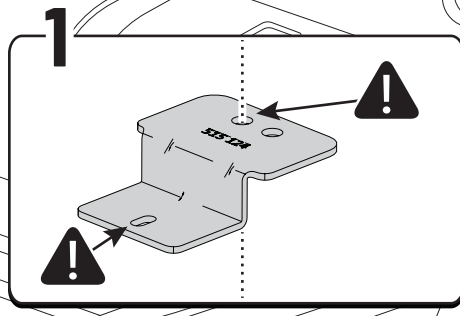
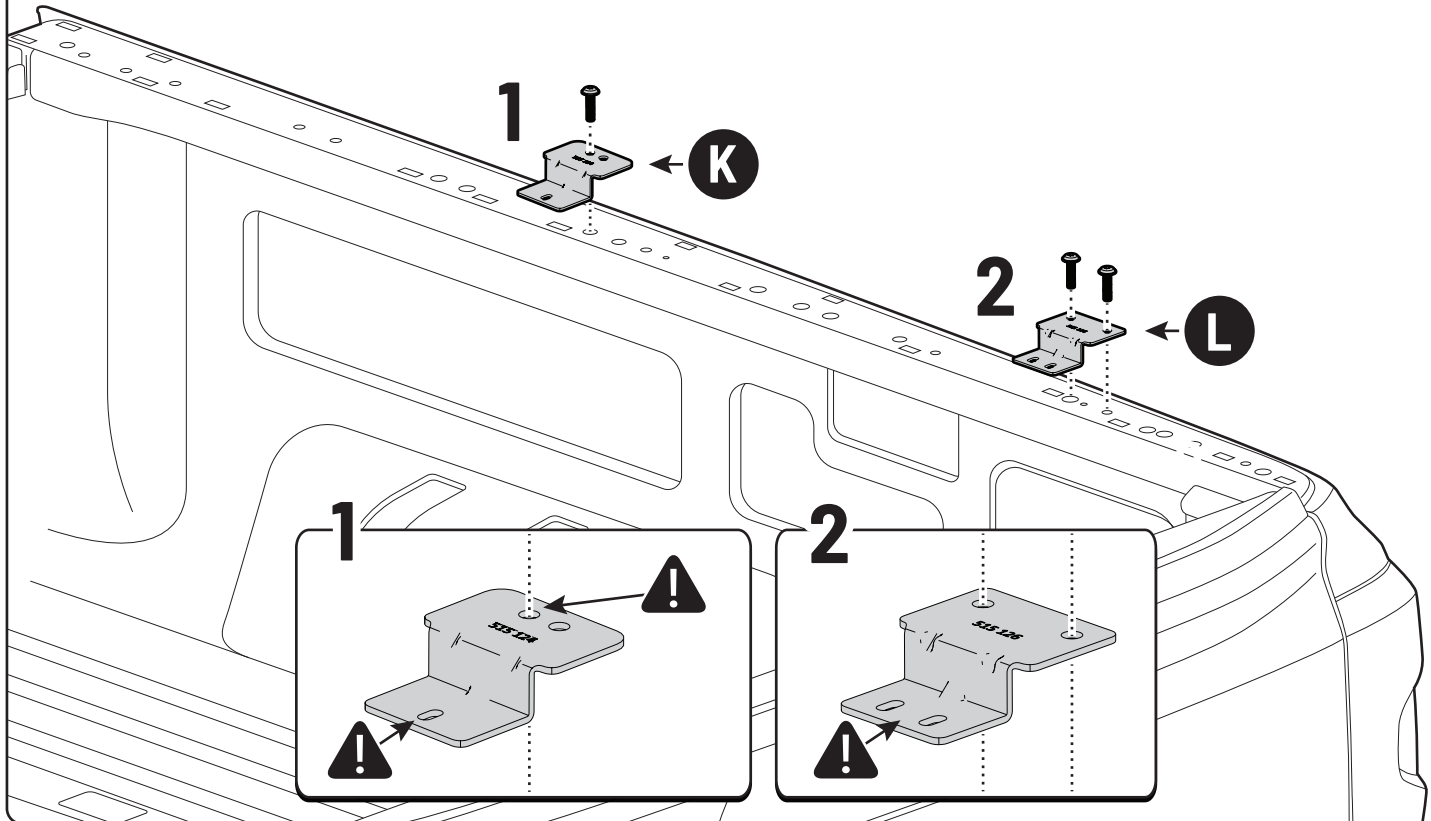
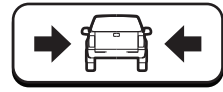
! WITH SPORTS BAR ACCESSORY - RAP CAB

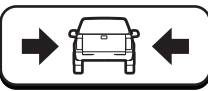
T45 13 mm 25 Nm



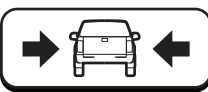
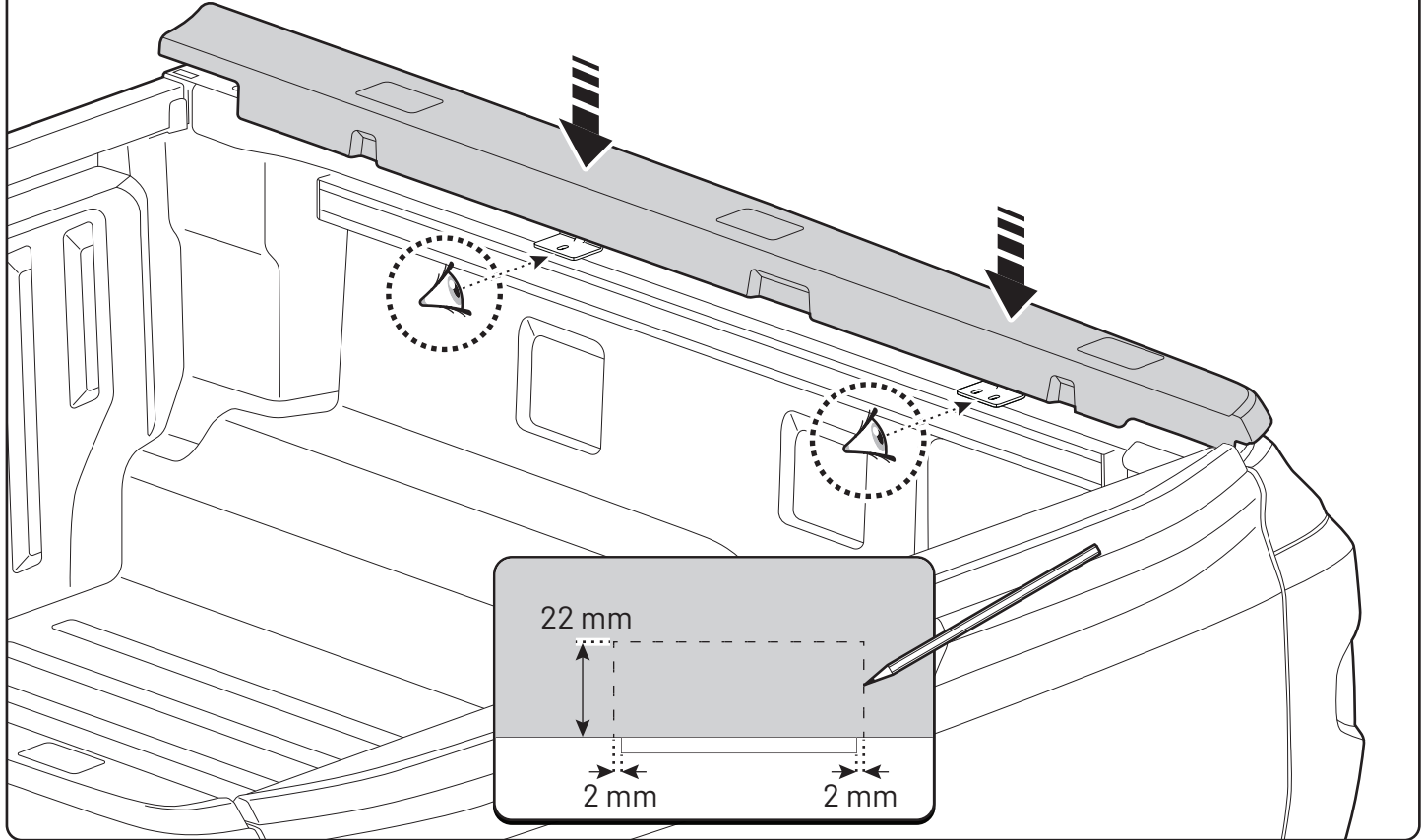
! WITHOUT SPORTS BAR ACCESSORY - RAP CAB

T45 13 mm 25 Nm

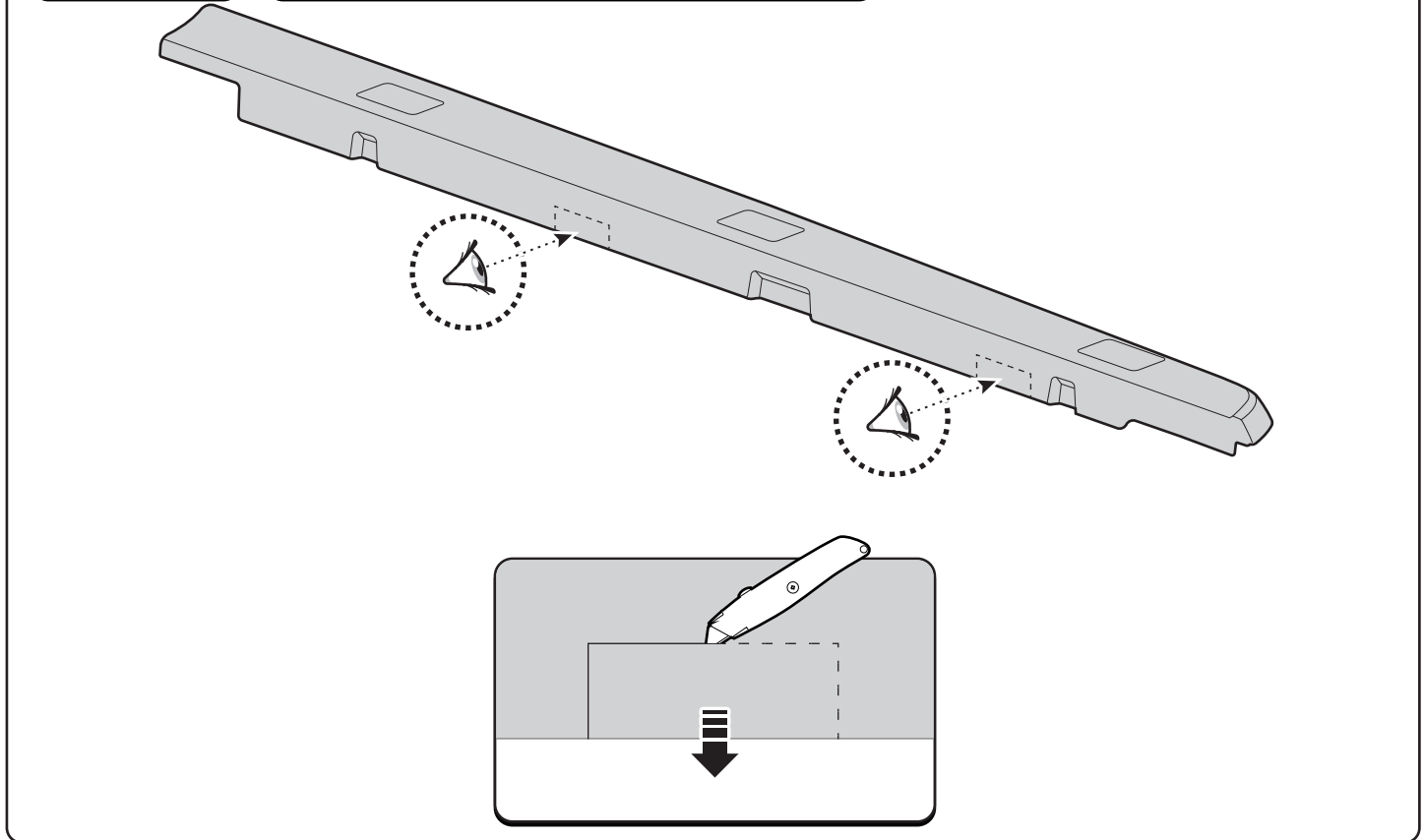


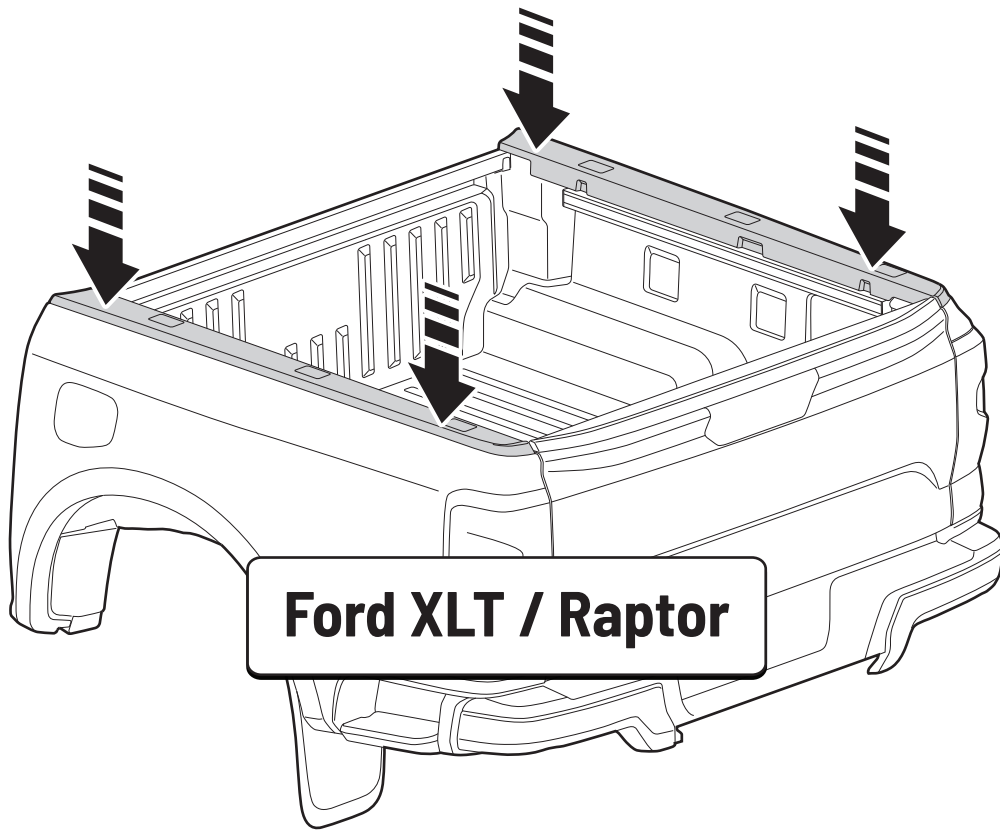


! ONLY FOR FORD RANGER XLT / RAPTOR

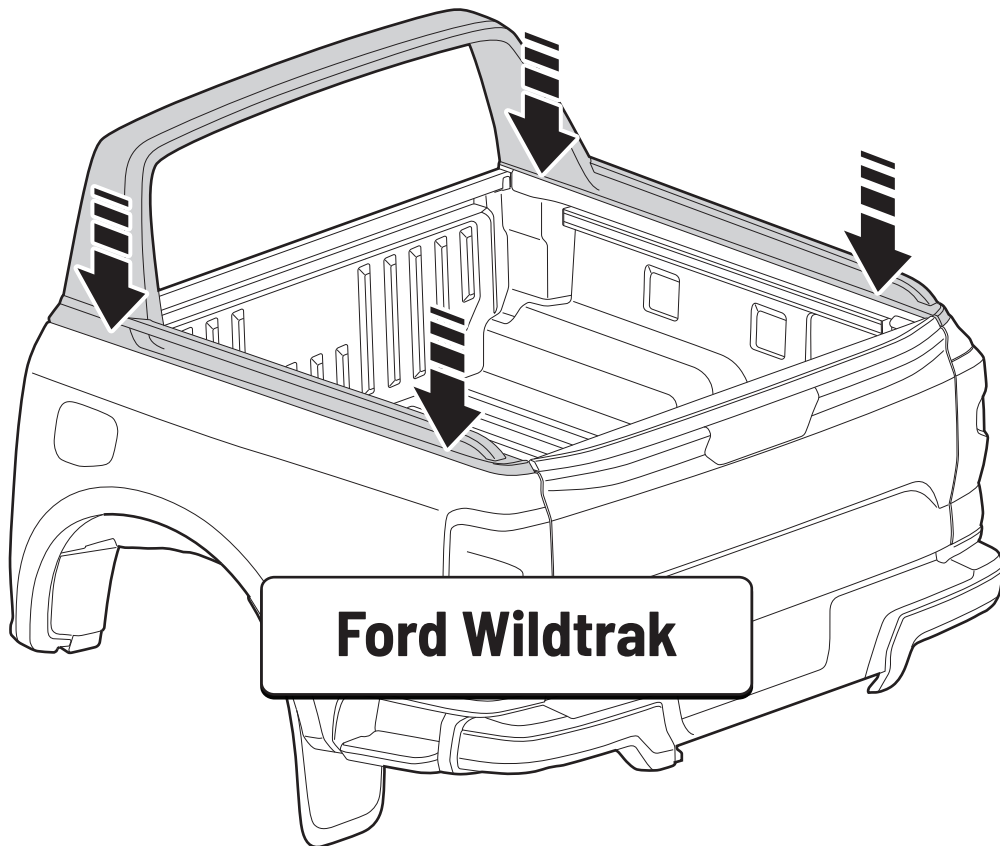


! ONLY FOR FORD RANGER XLT / RAPTOR

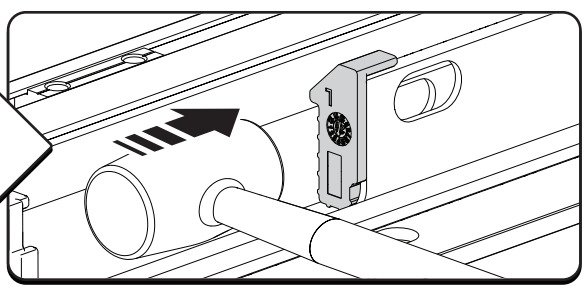
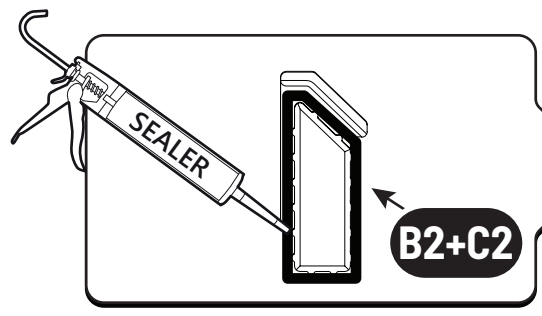
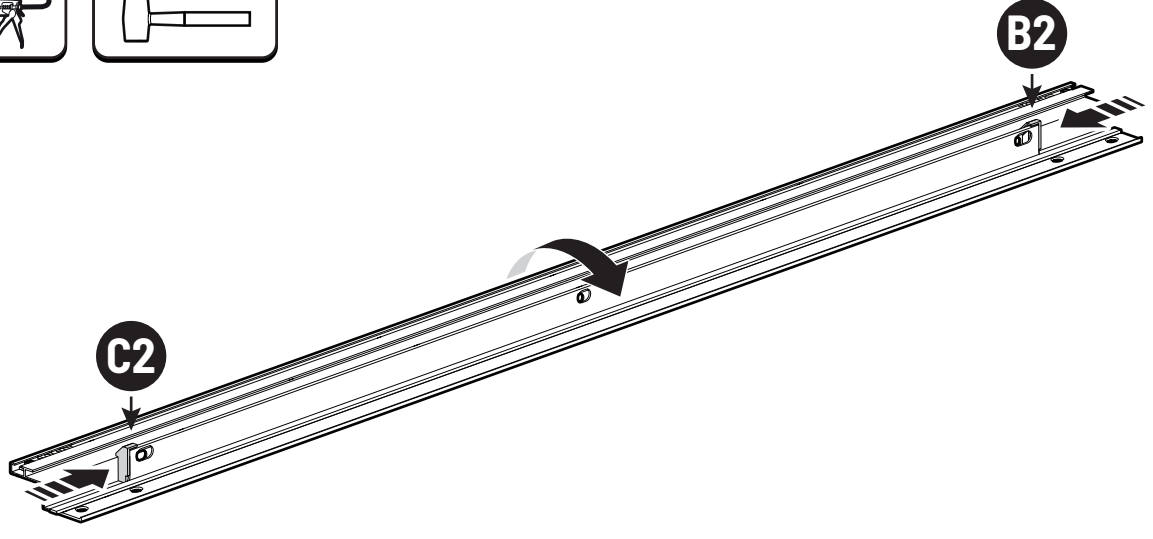
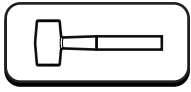
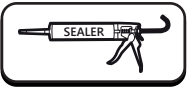
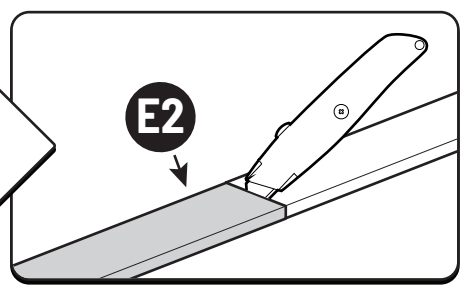
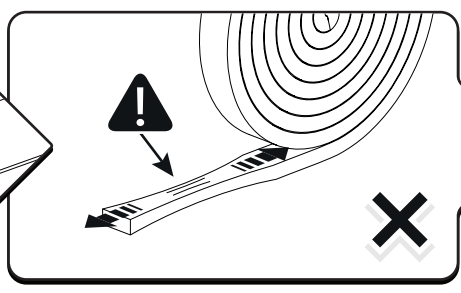
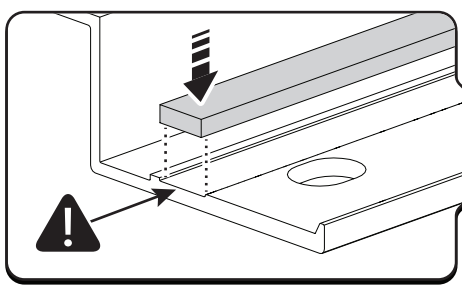
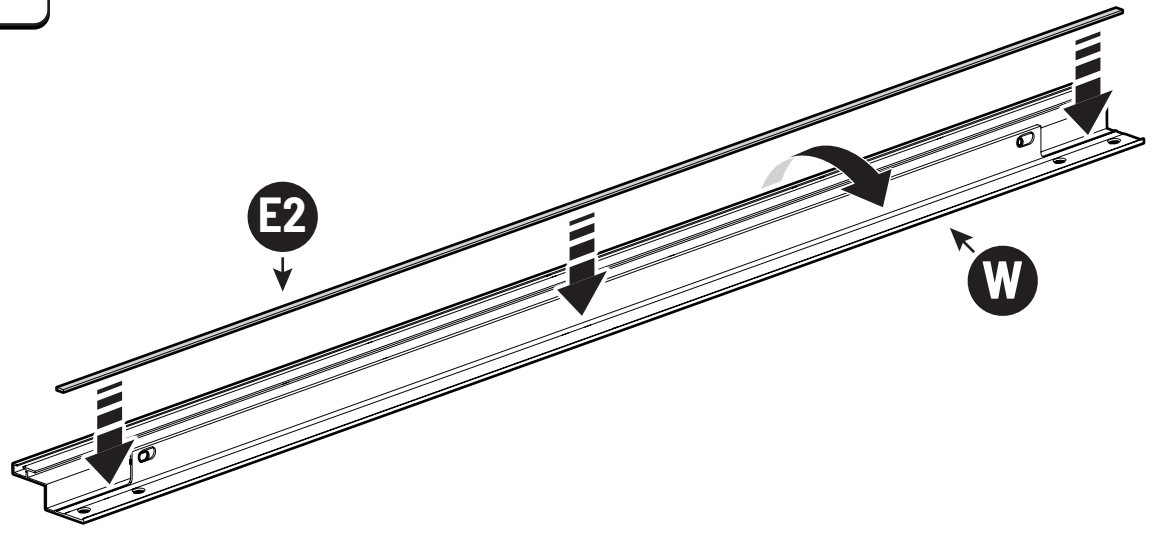
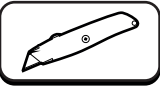


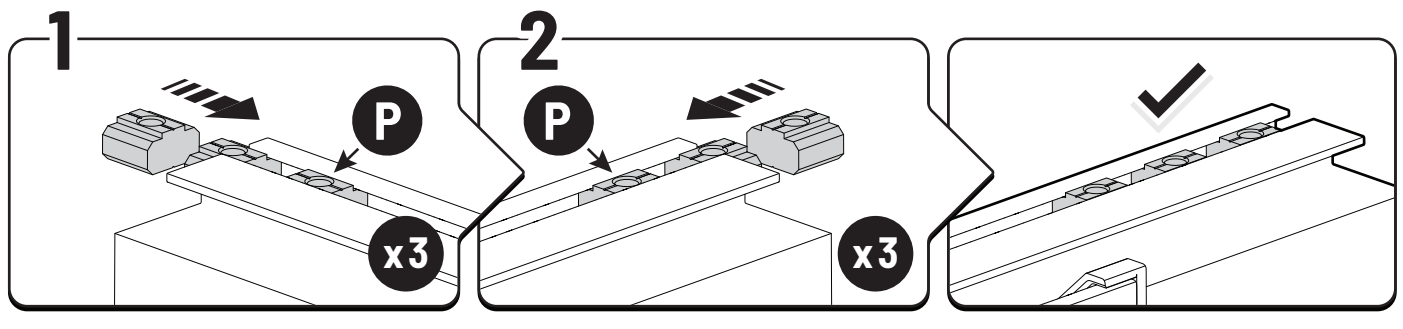
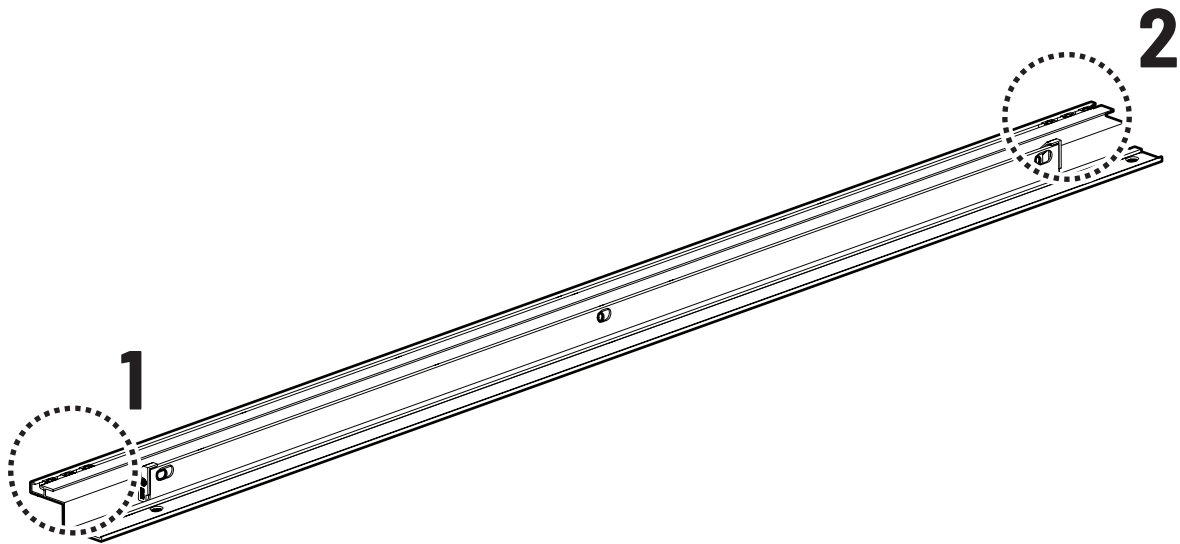


Ford XLT / Raptor

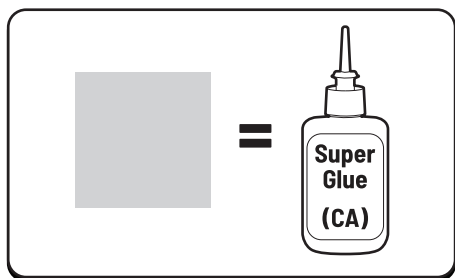
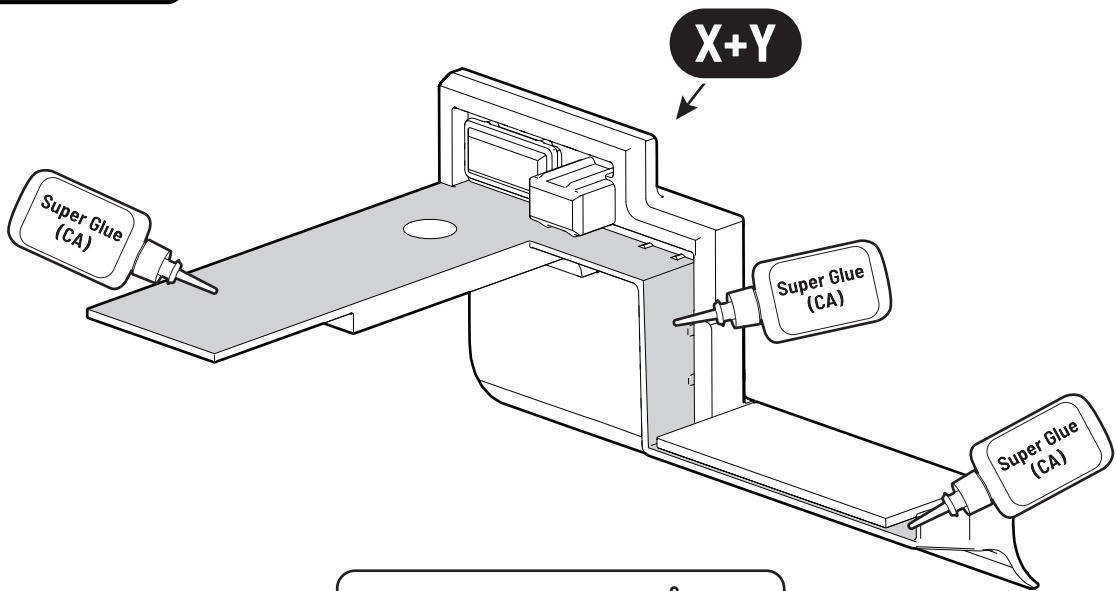


Ford Wildtrak





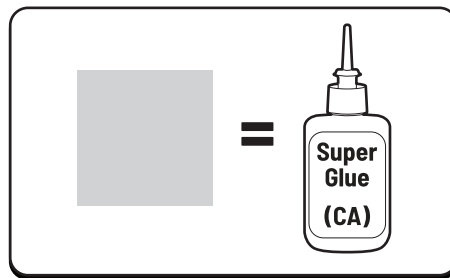
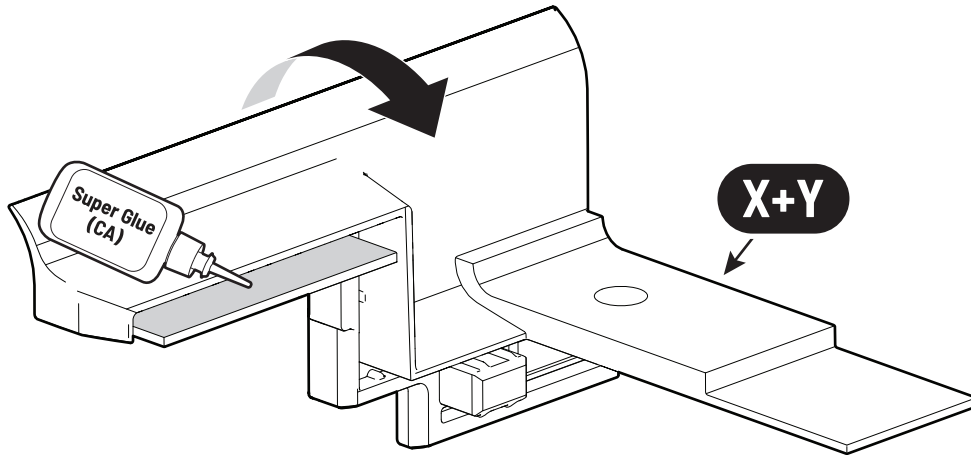
 **Super Glue (CA)**



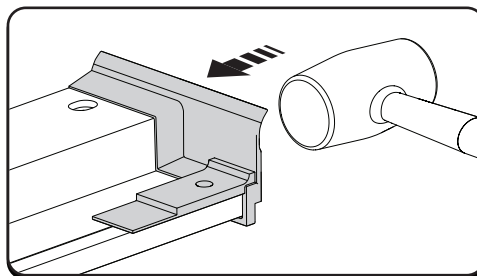
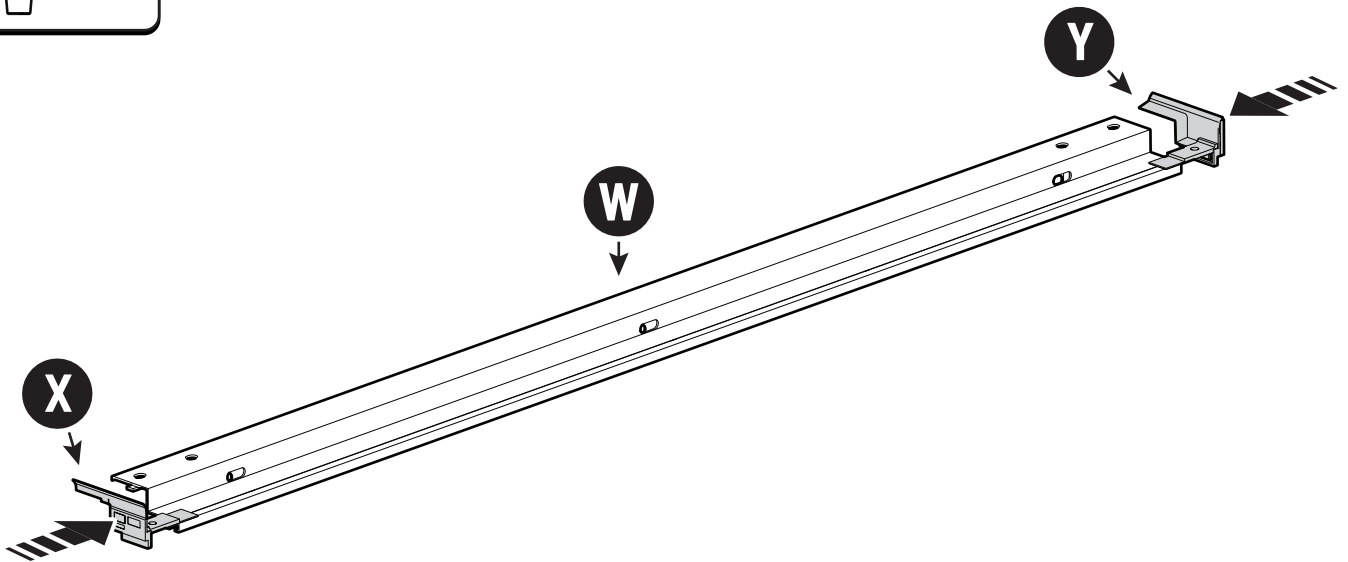


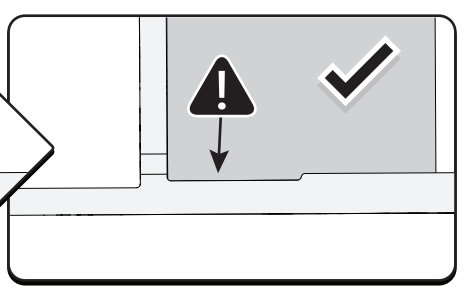
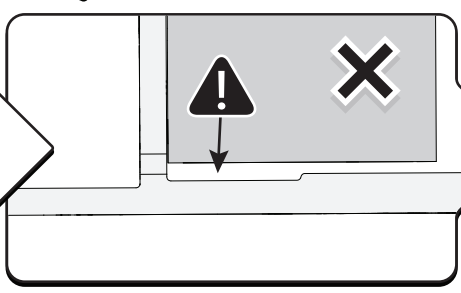
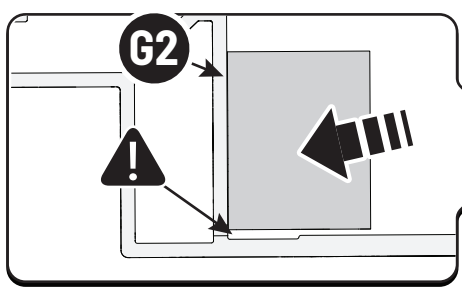
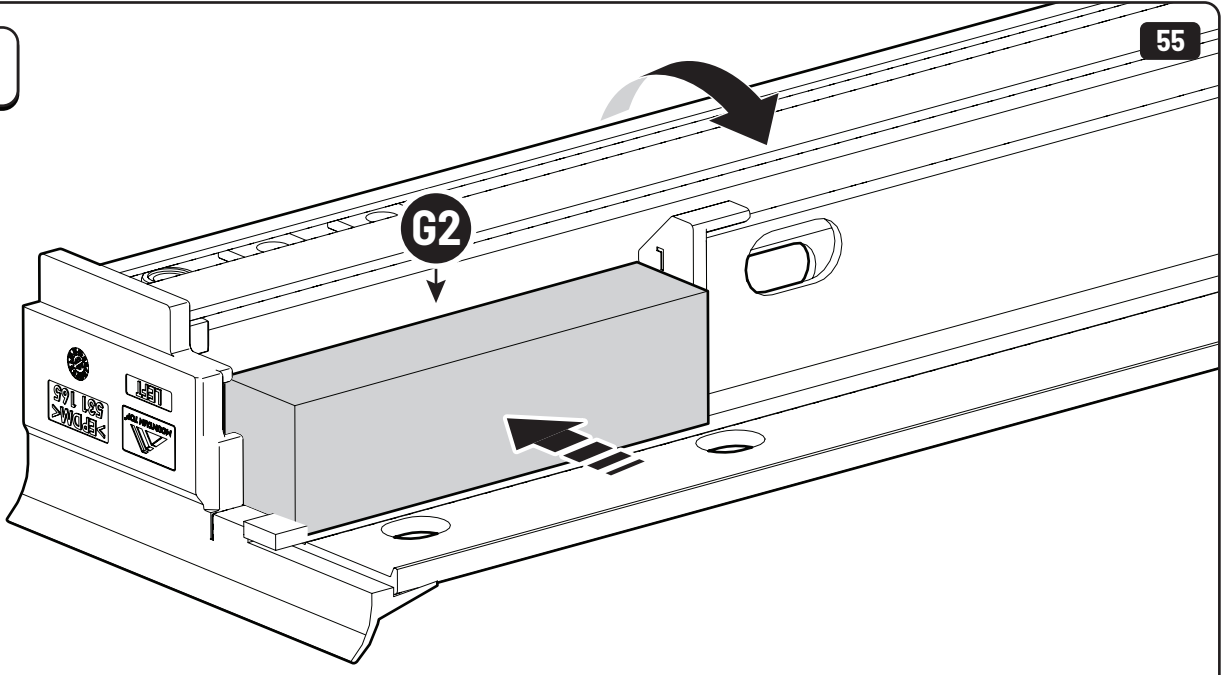
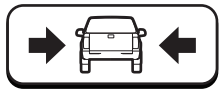
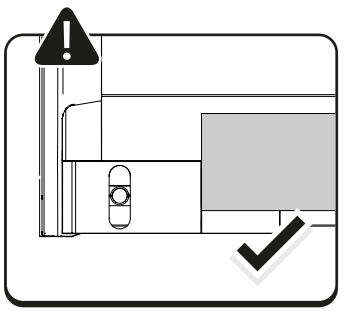
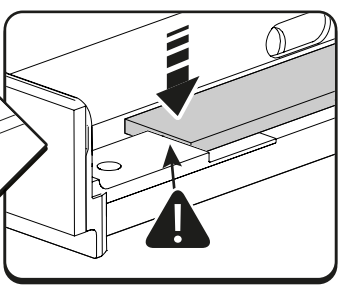
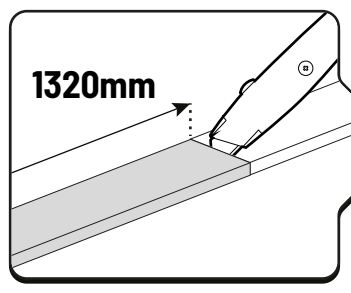
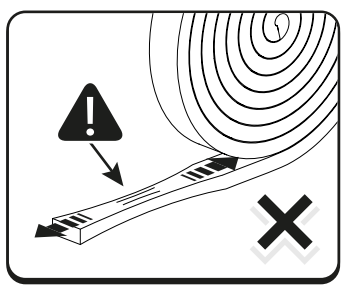
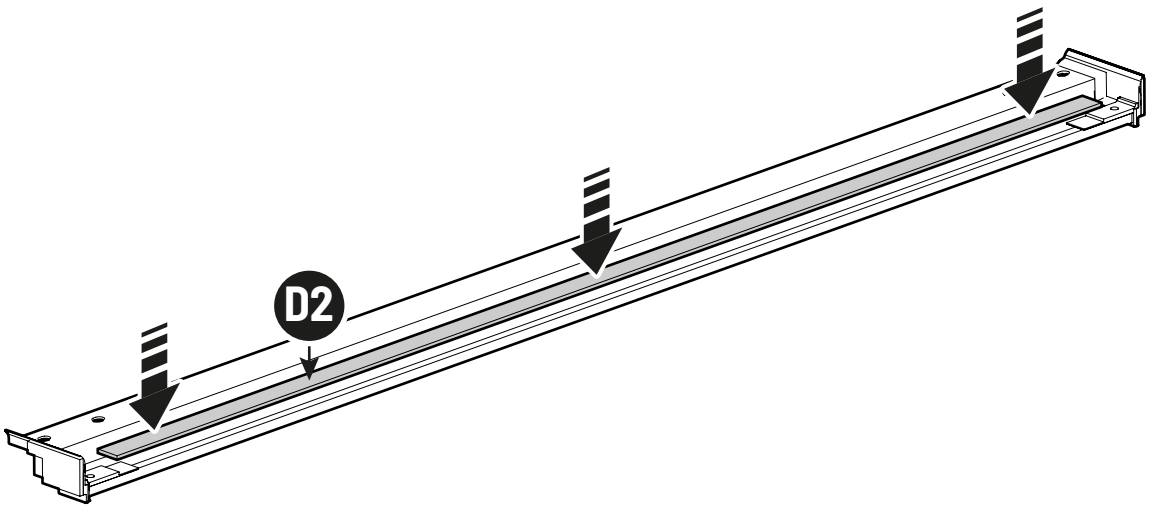
Super Glue (CA)

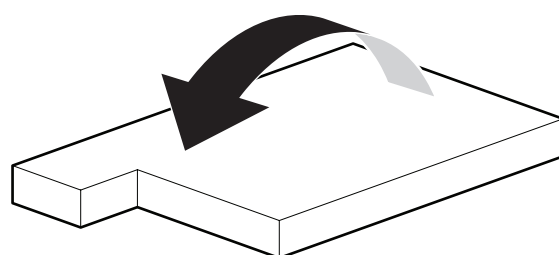
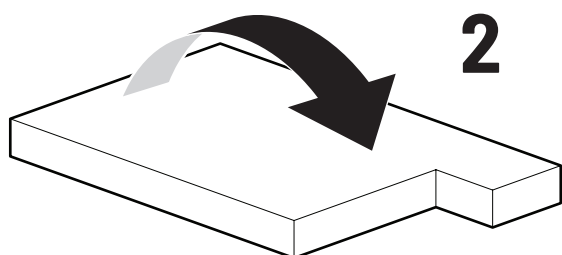
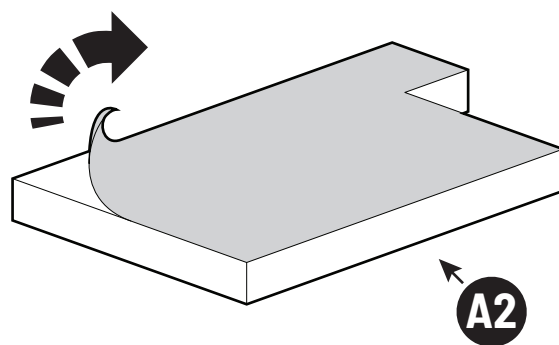
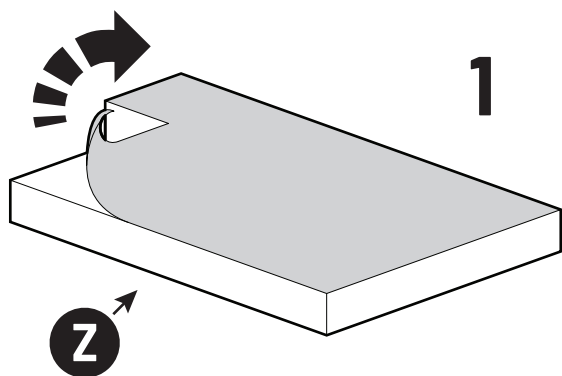
52



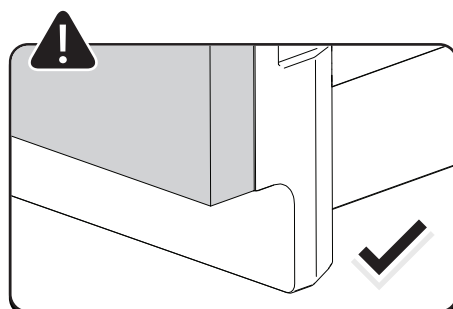
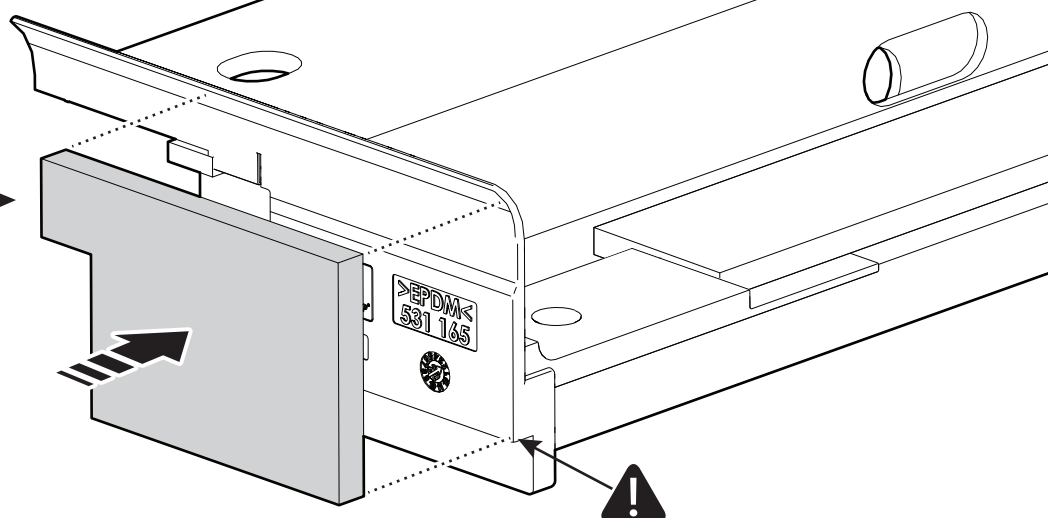
53

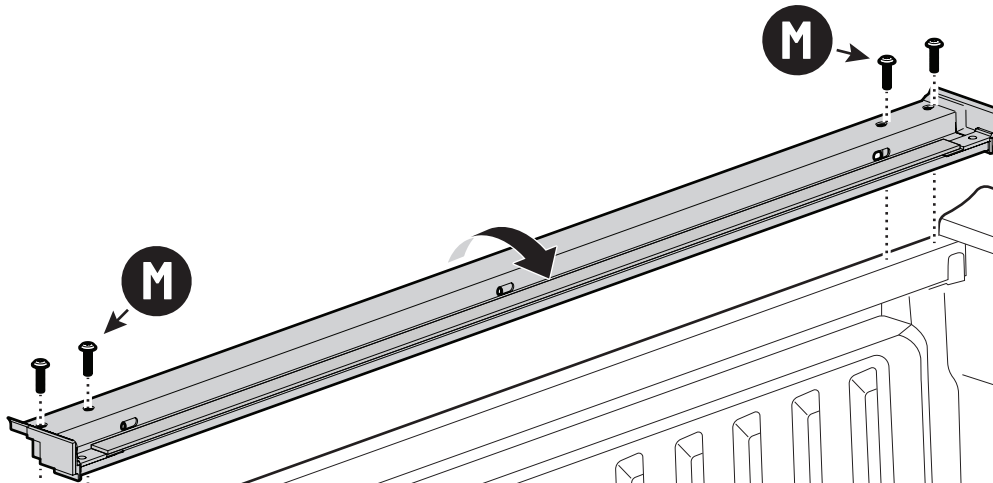
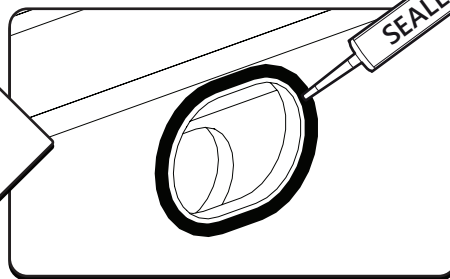
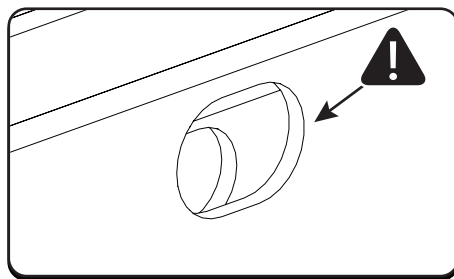
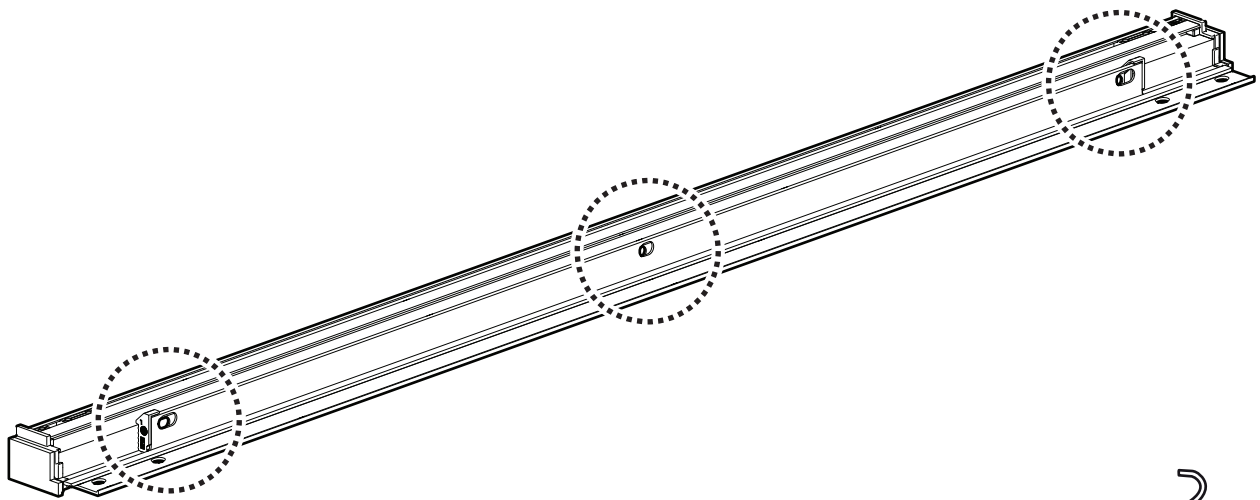


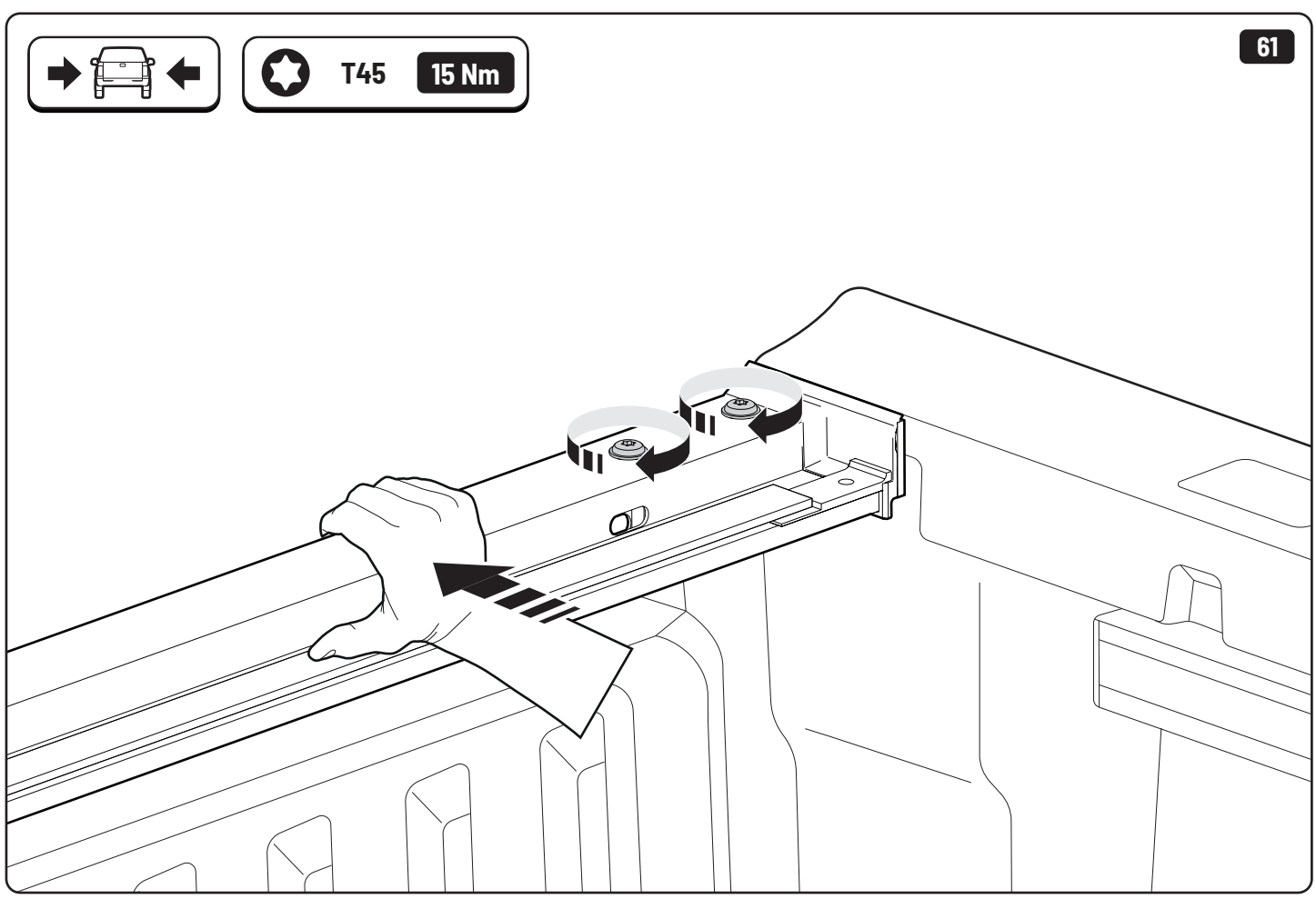
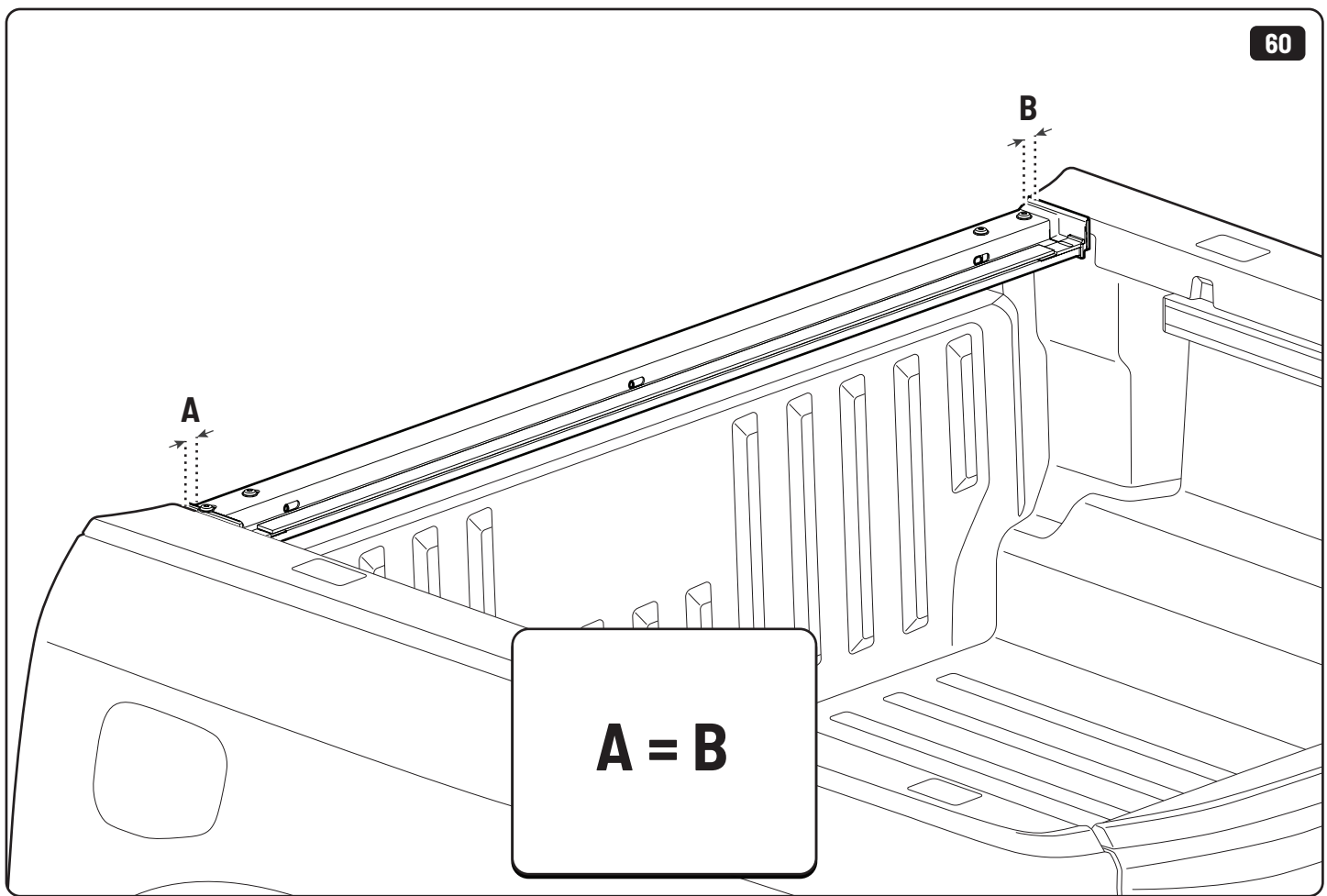


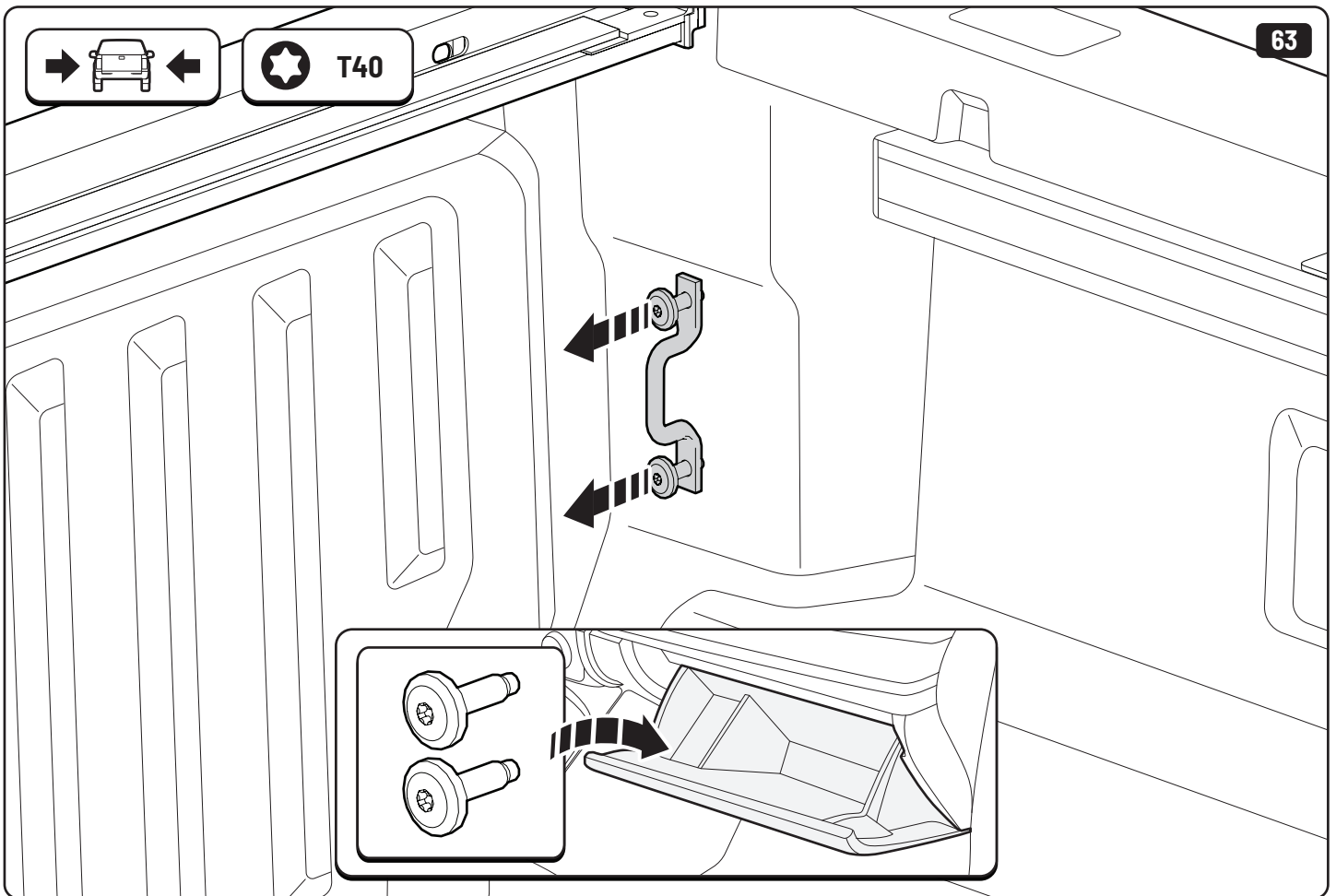
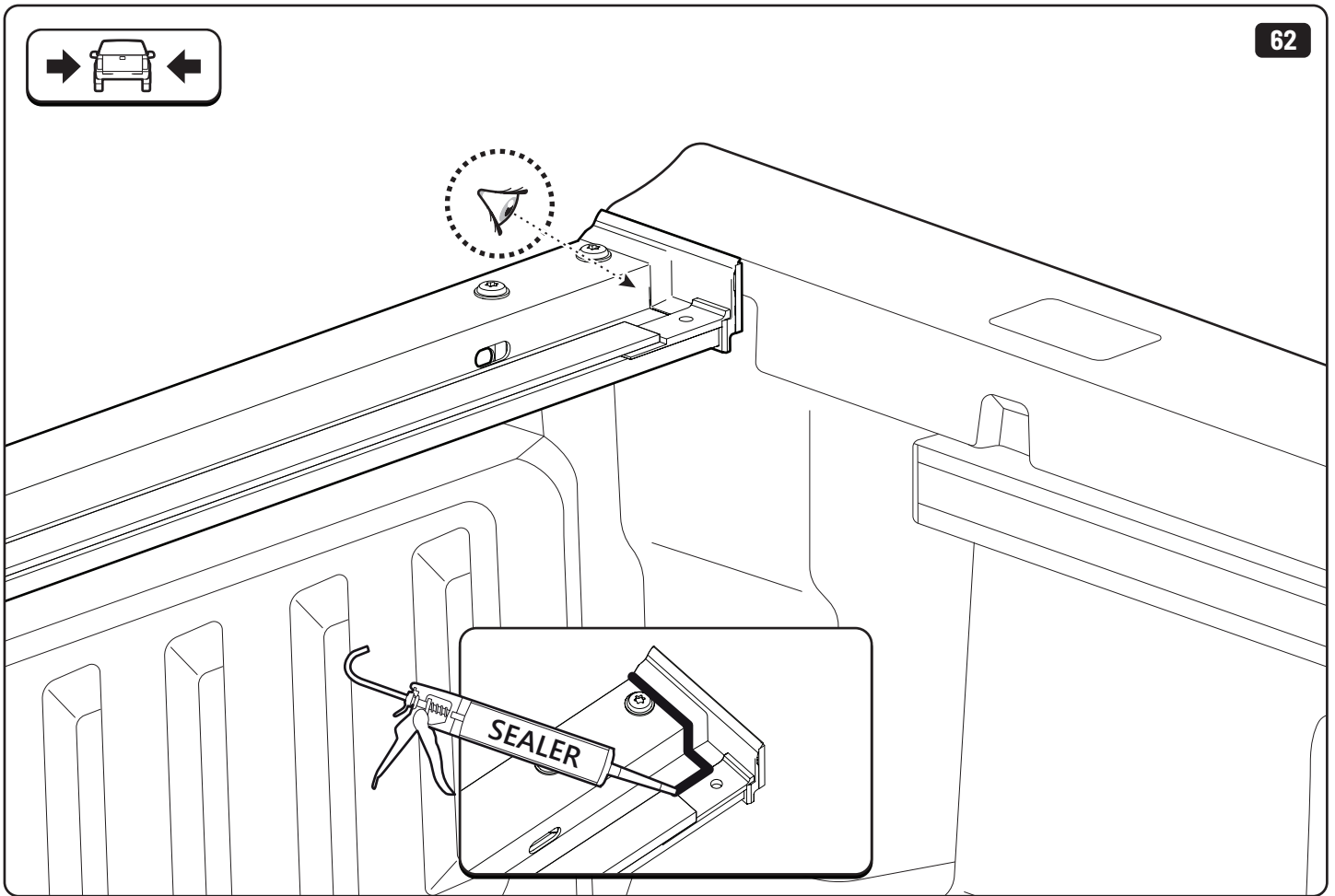


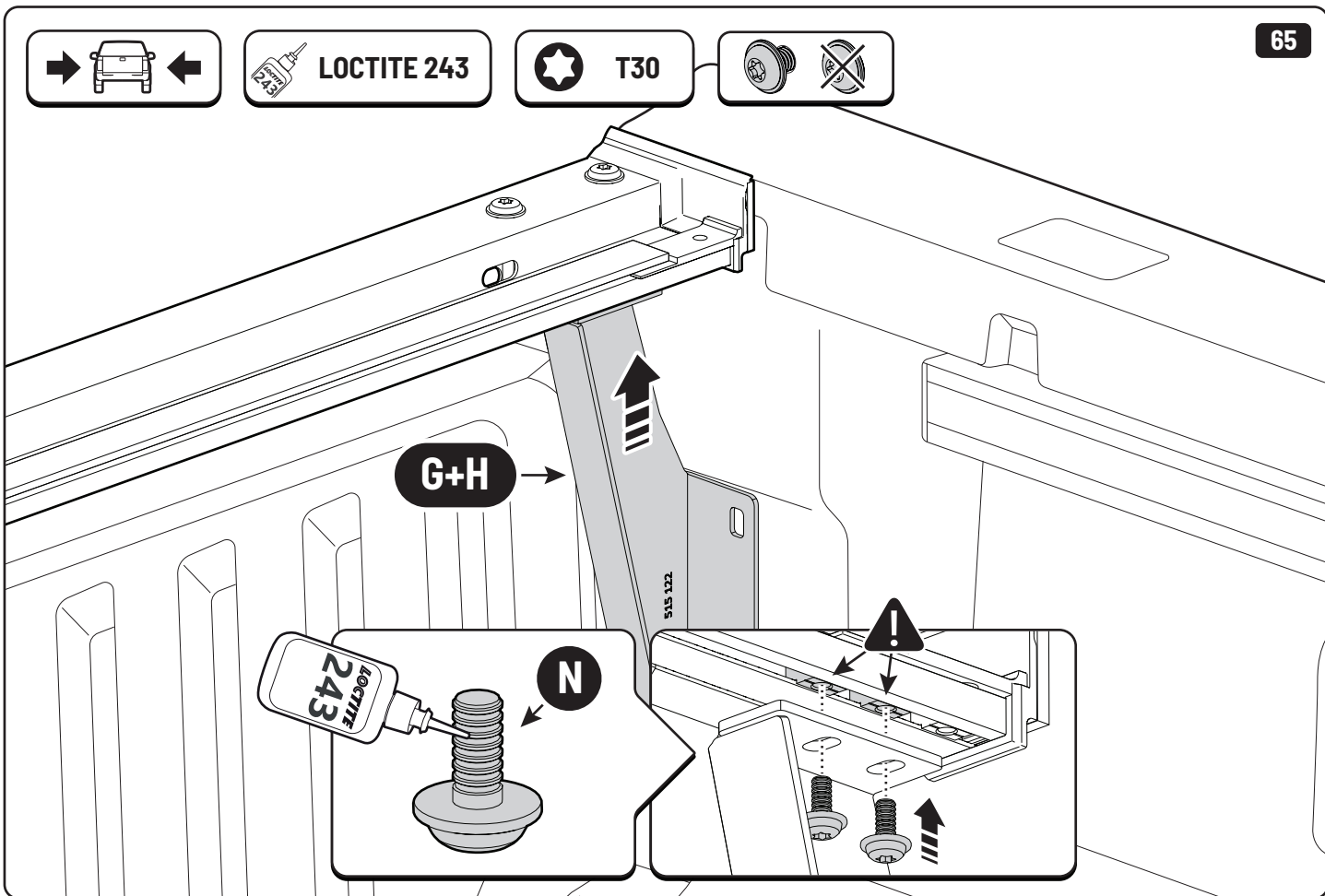
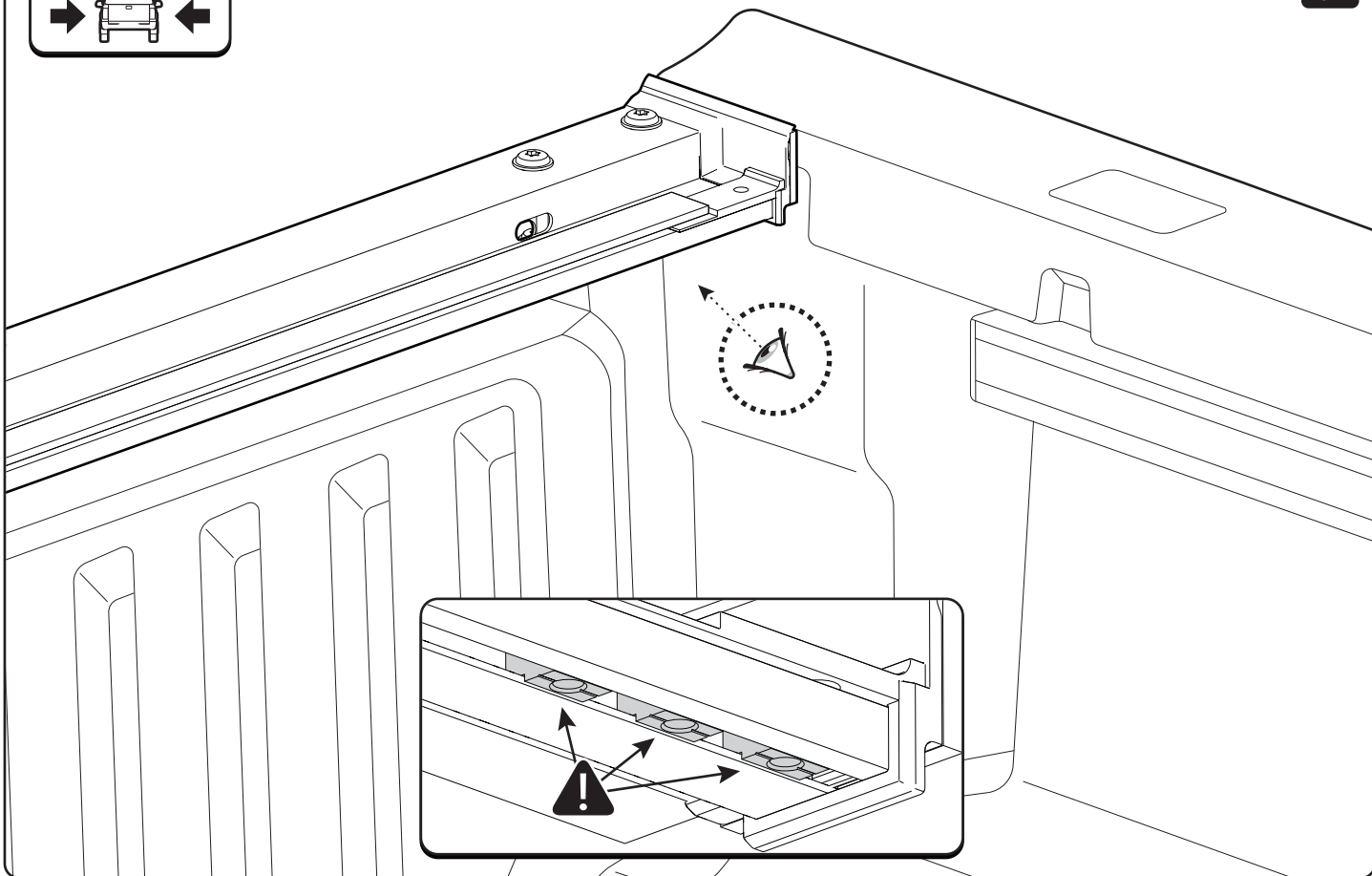
Z+A2

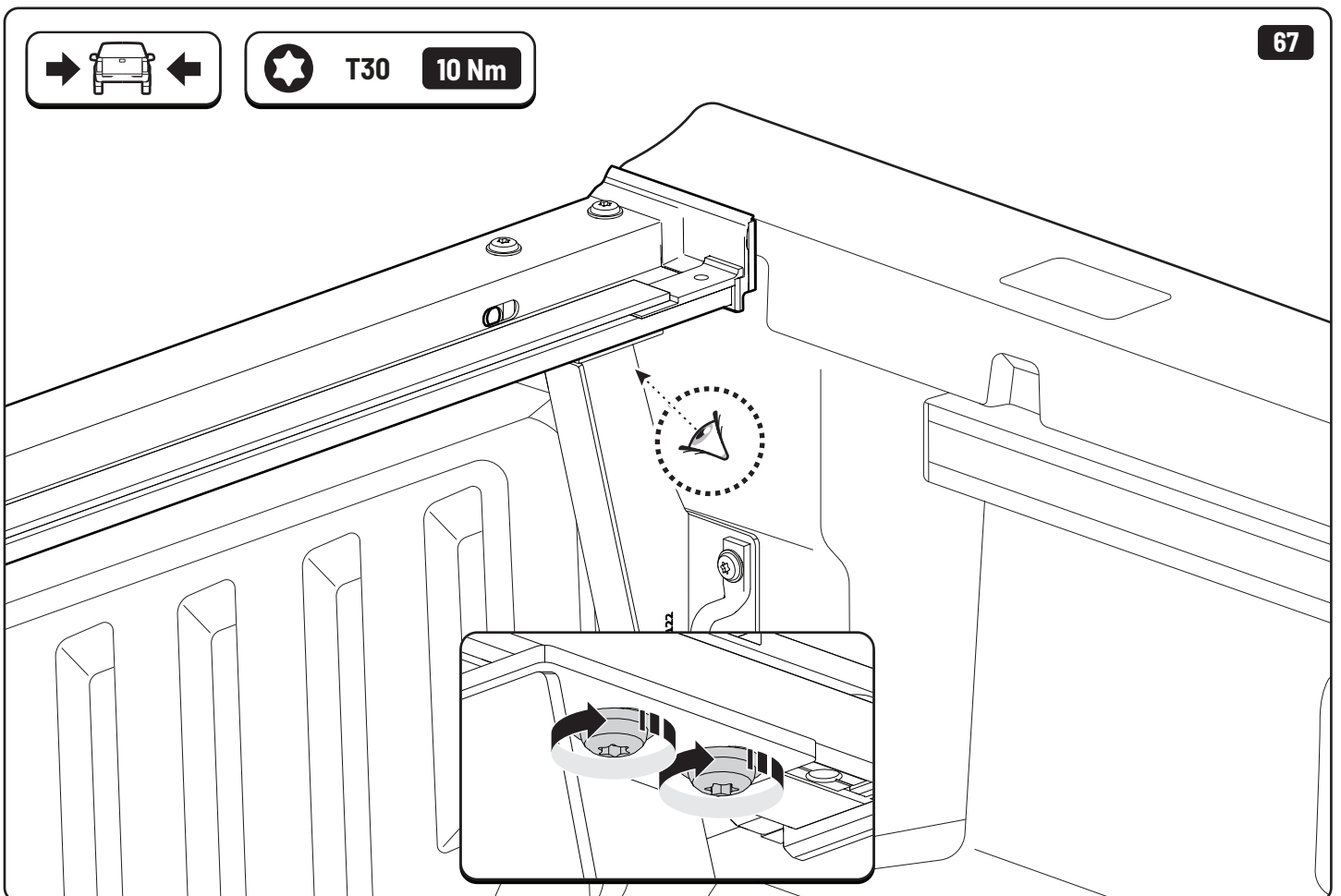
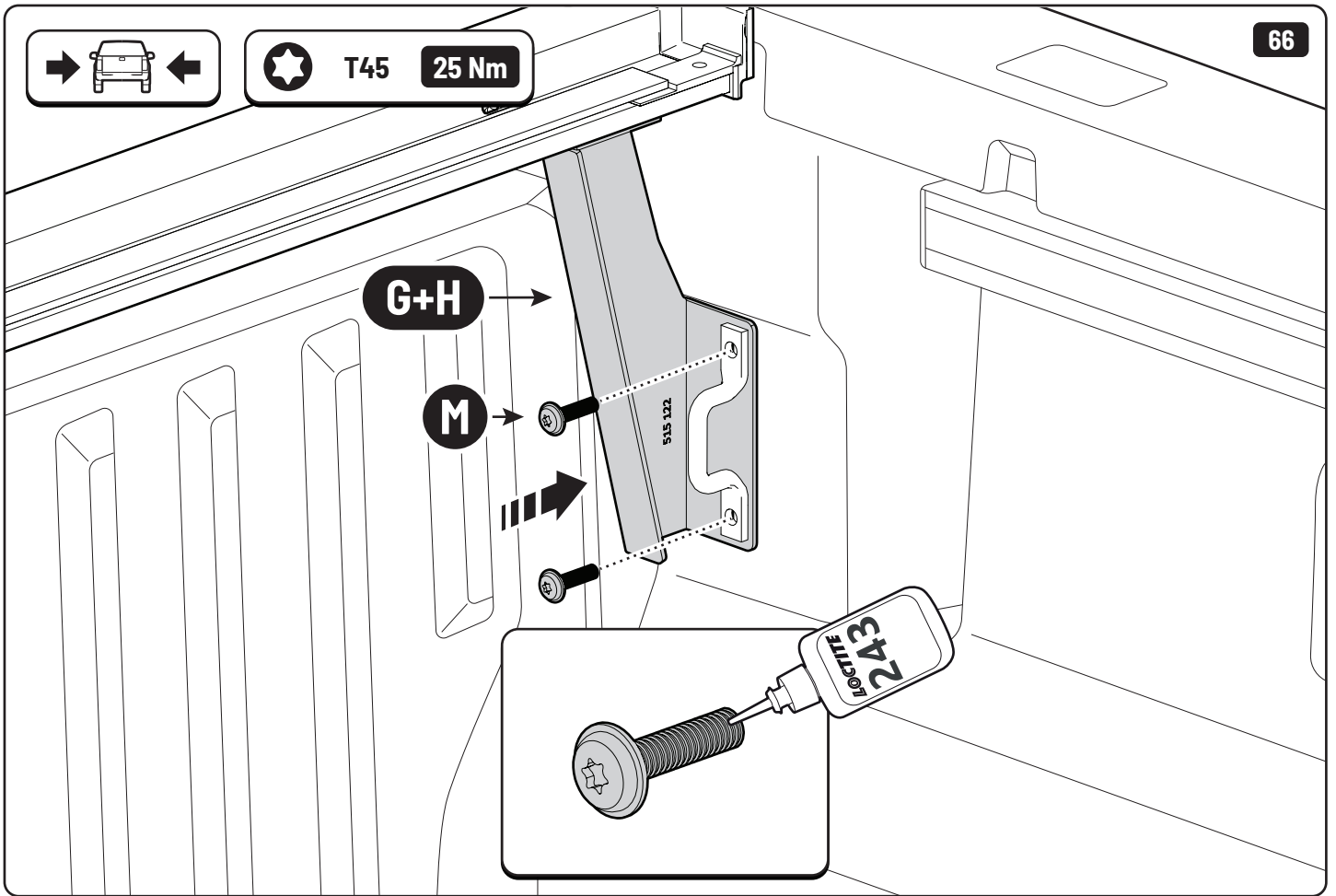


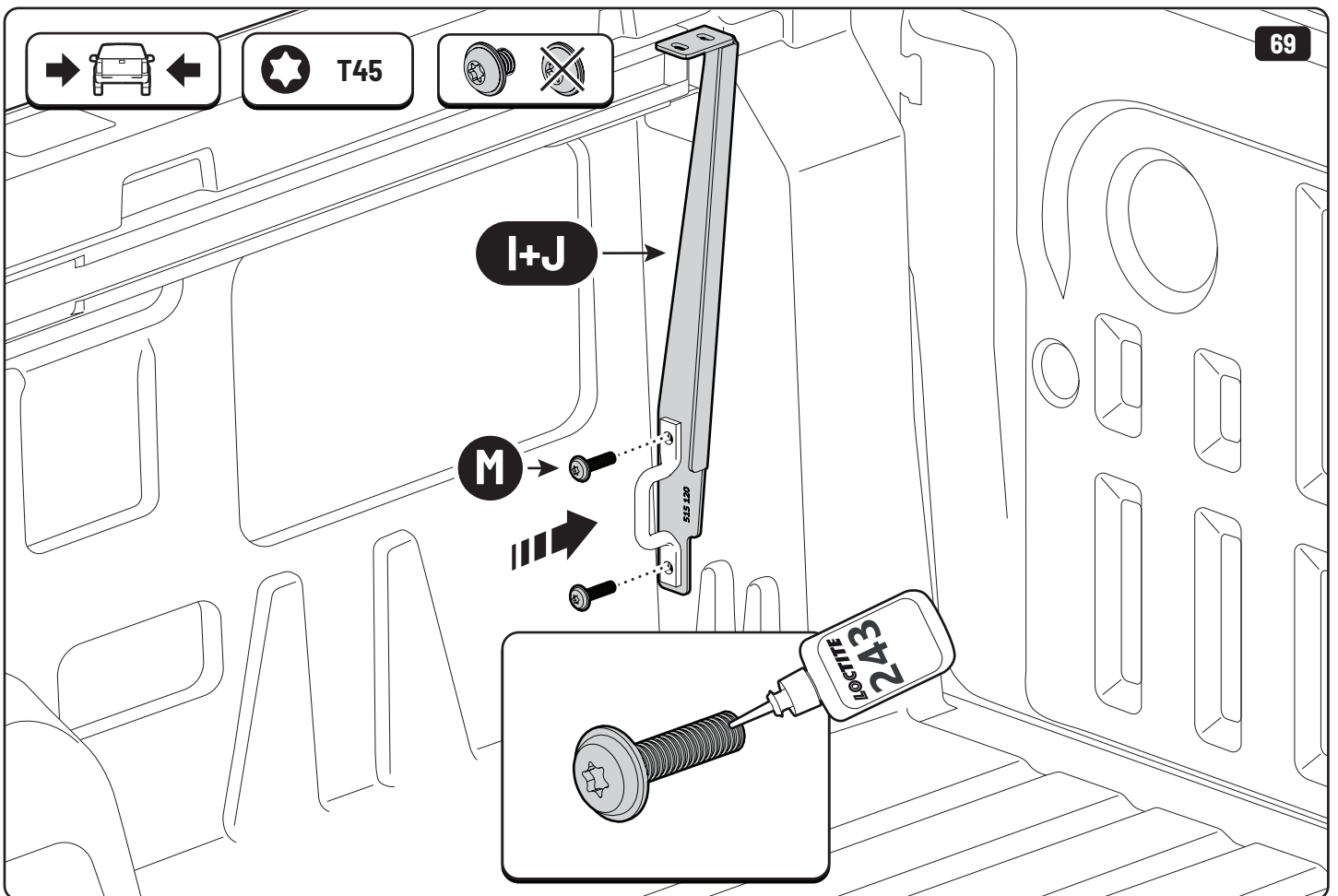
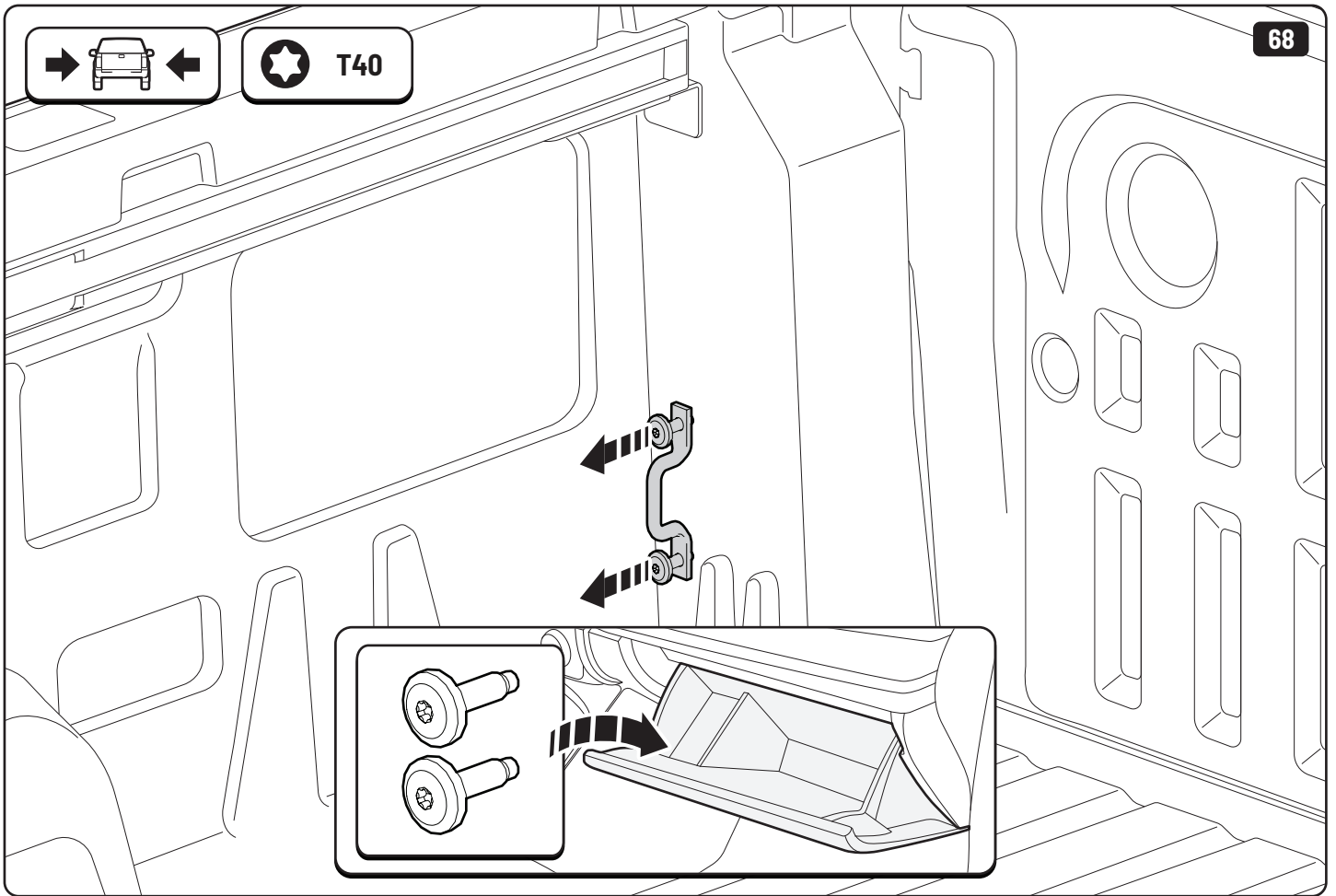


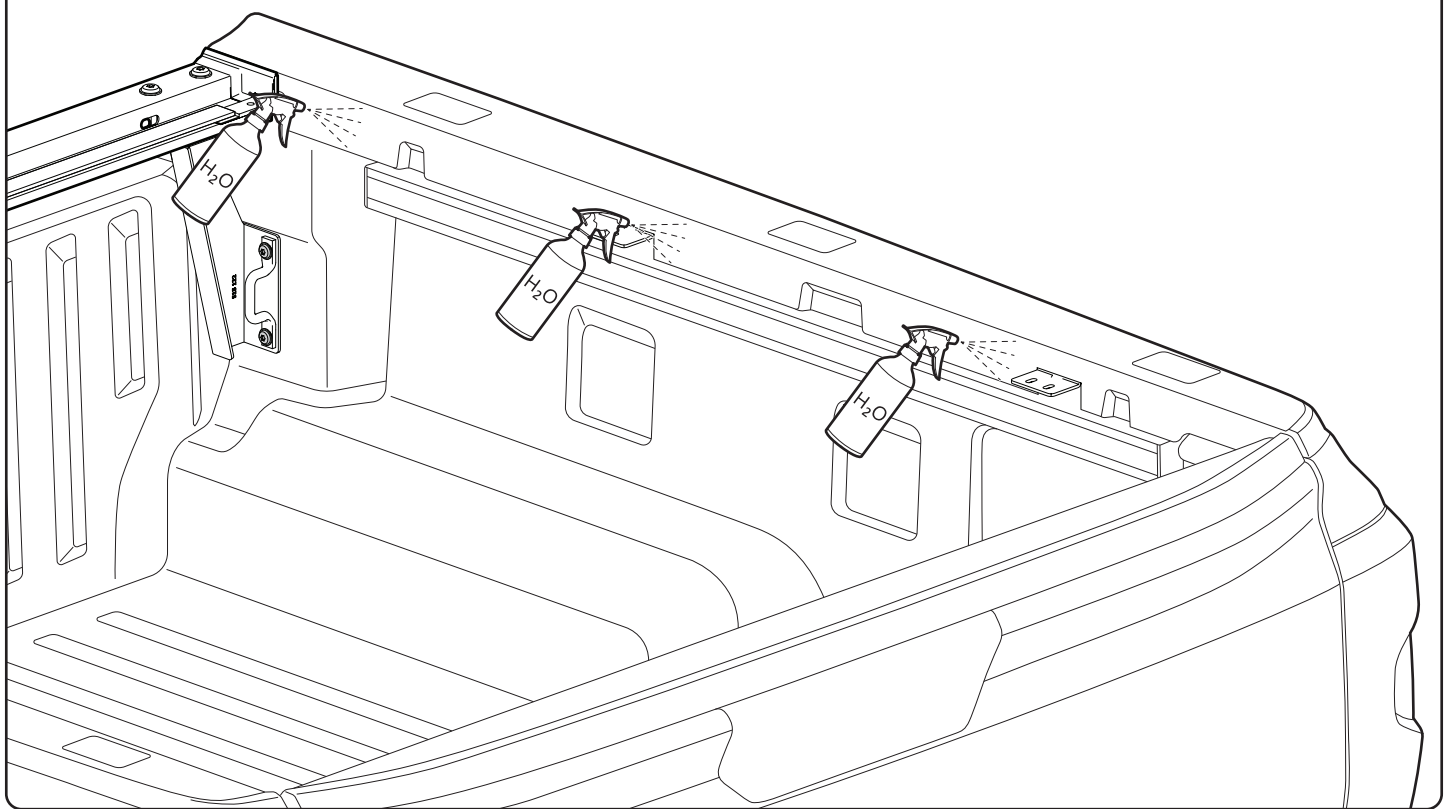
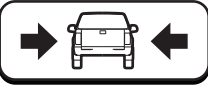






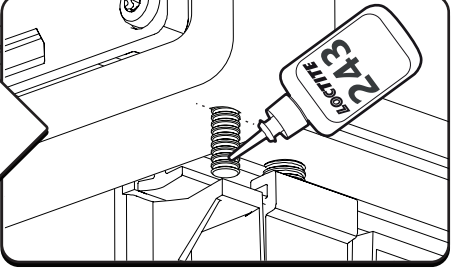
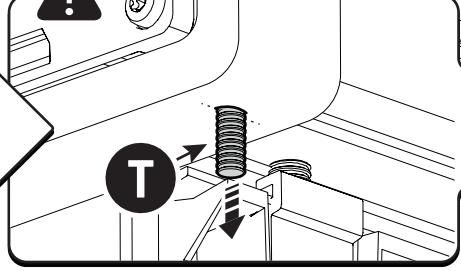
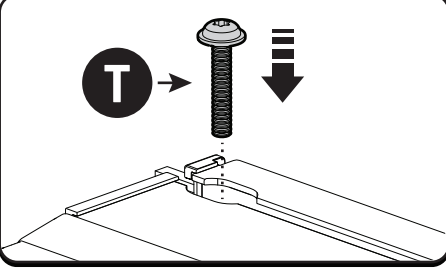
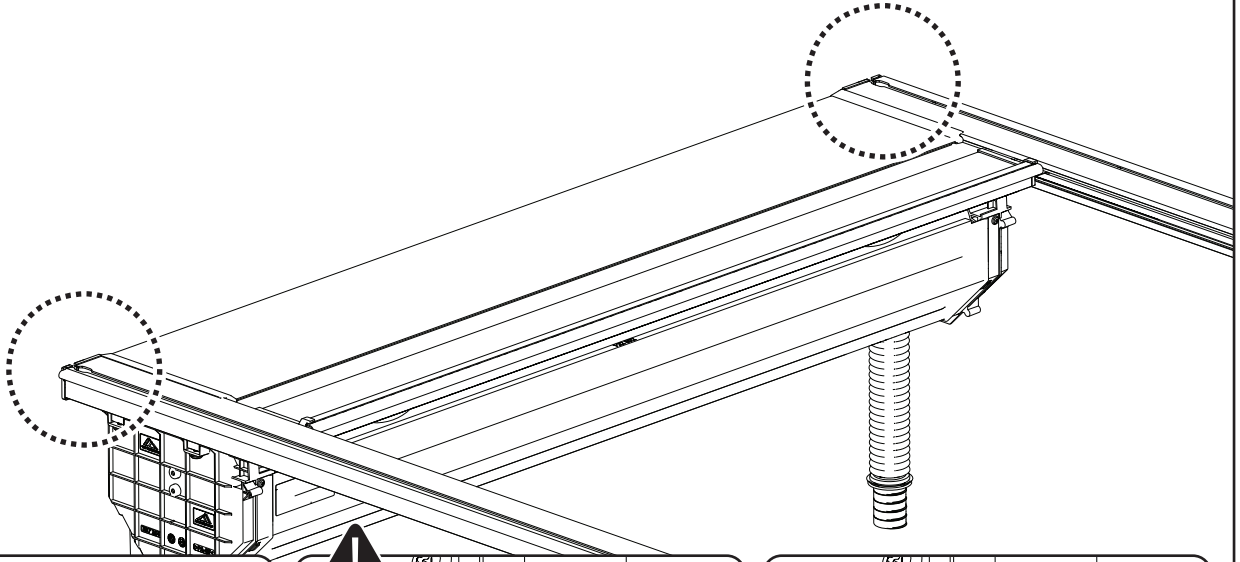
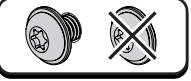


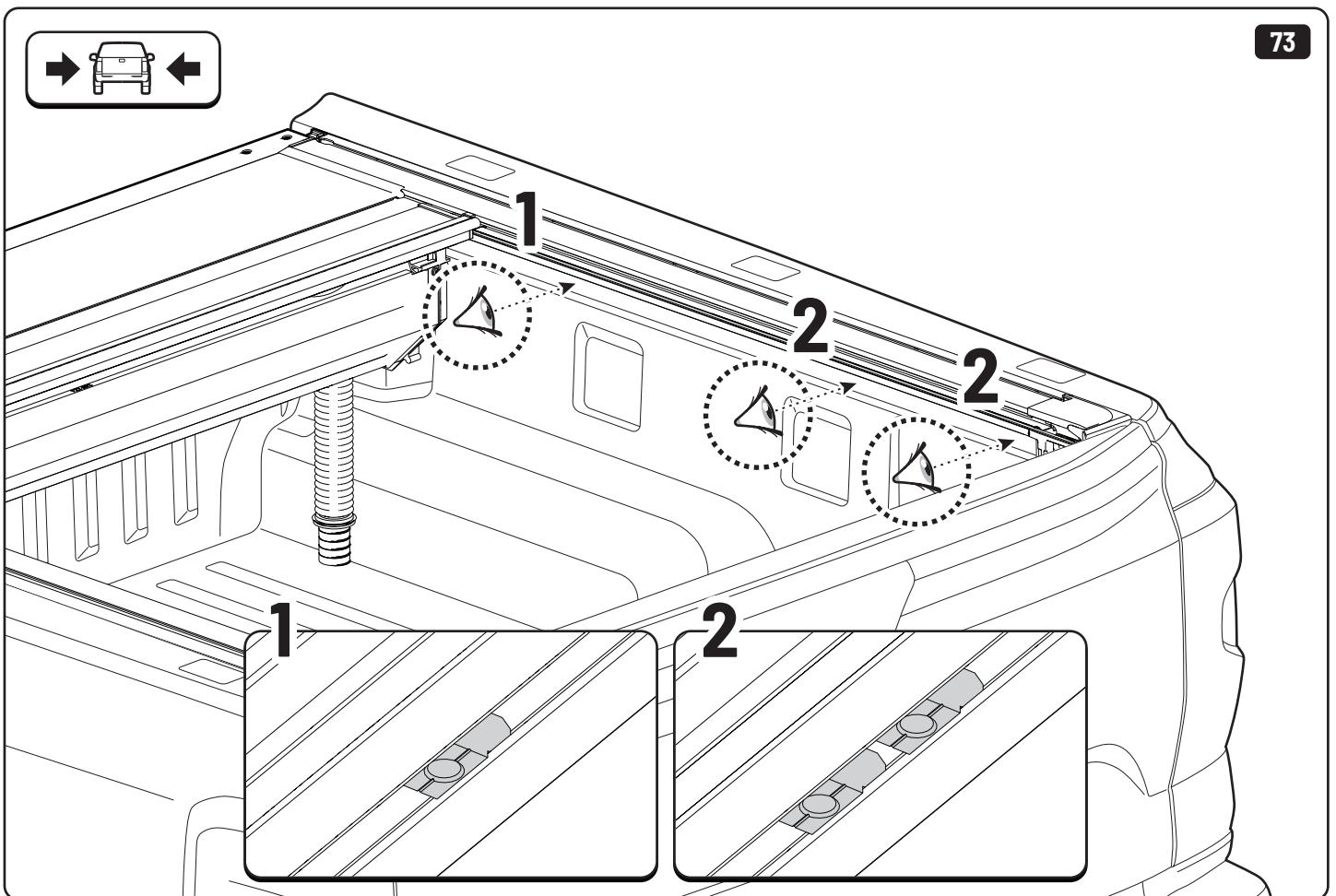
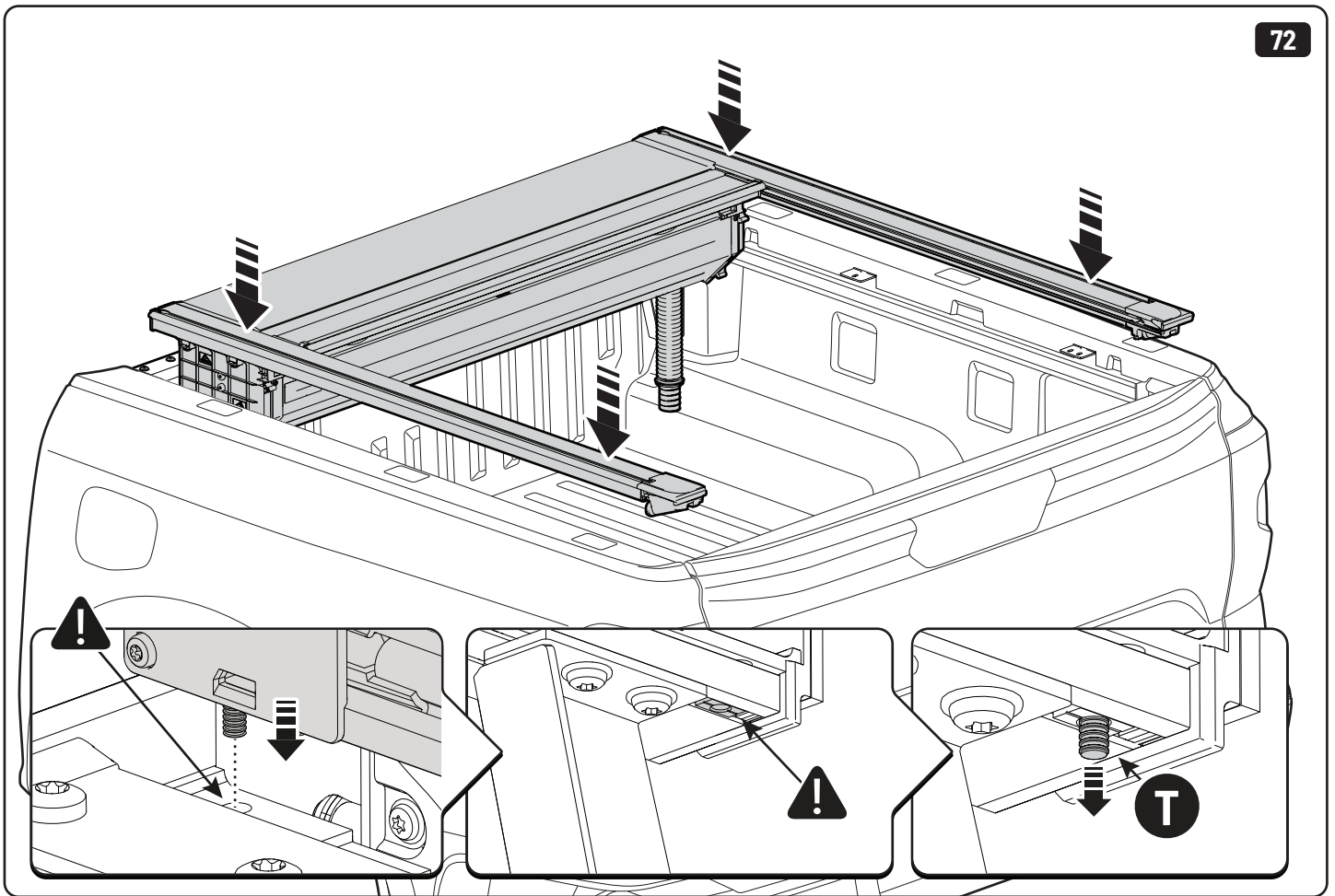




 **LOCTITE 243**

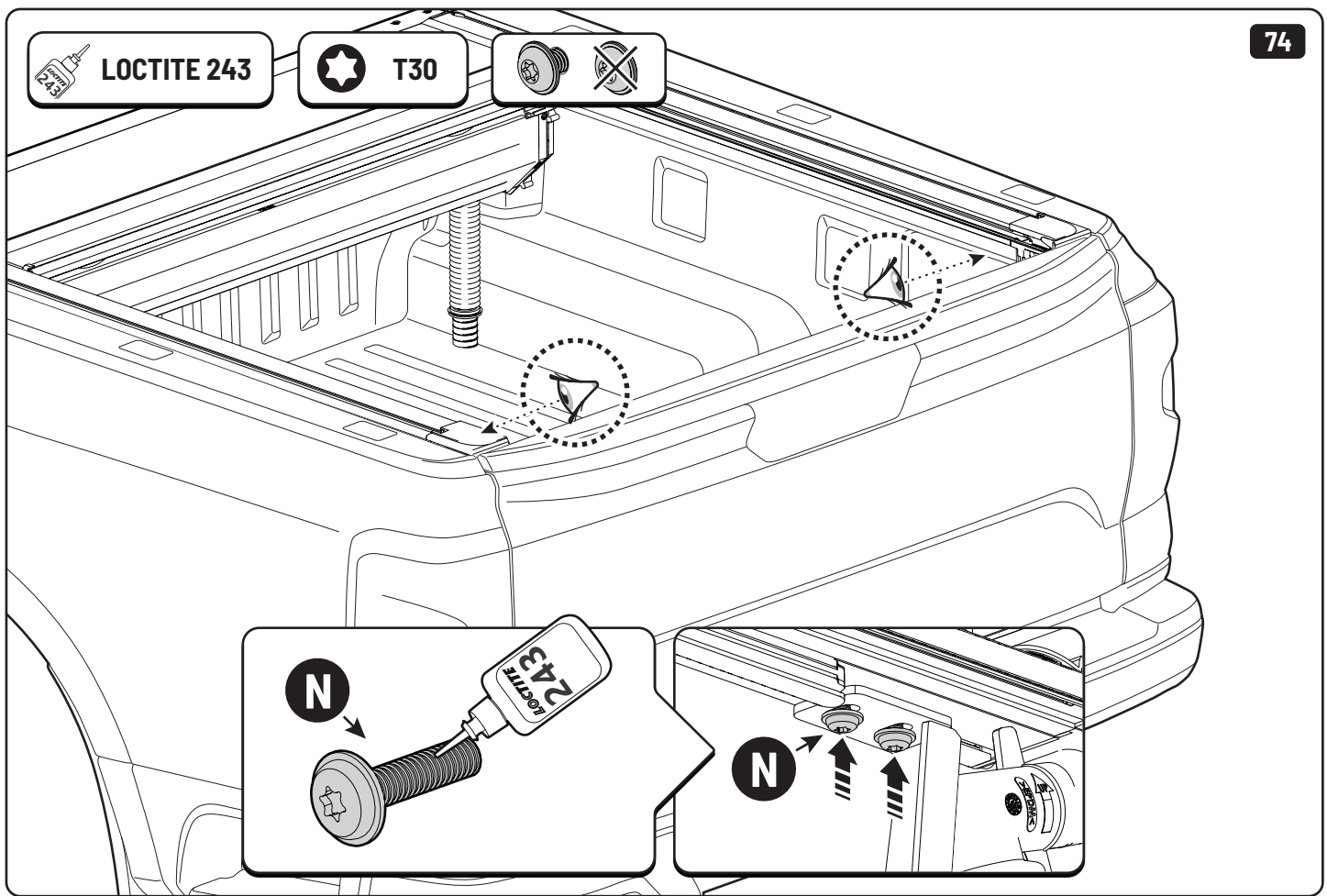
 **T30**





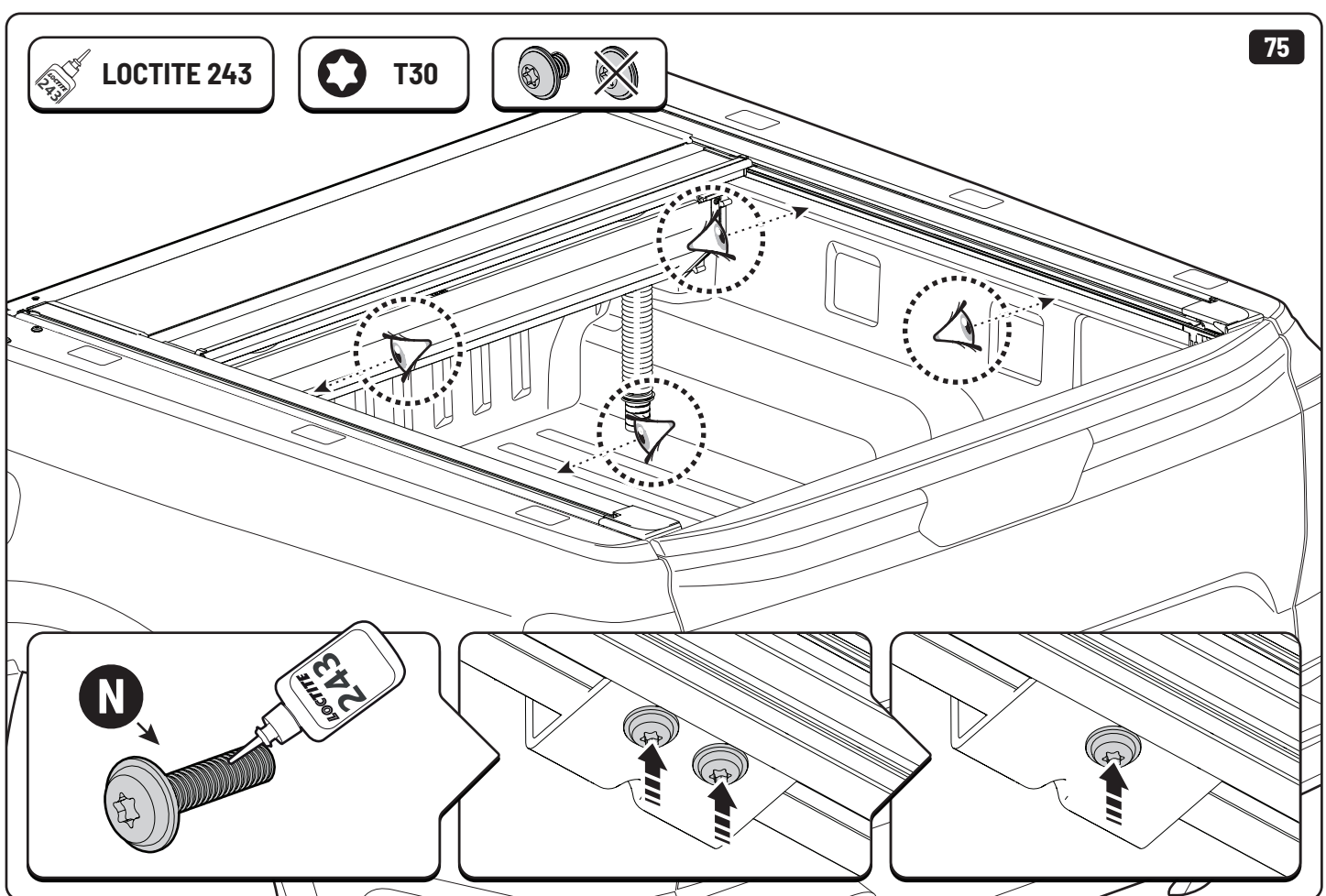

LOCTITE 243

T30

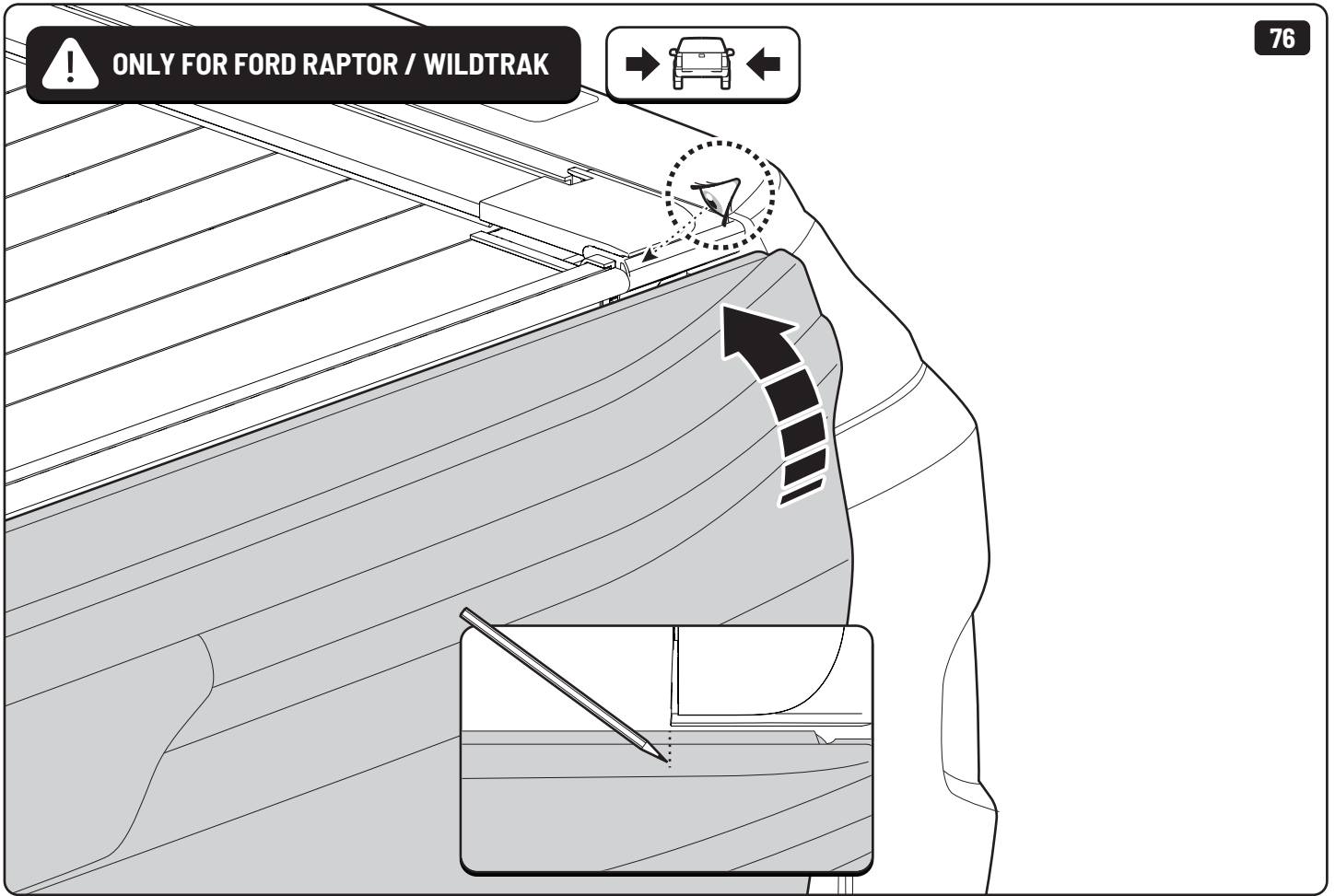




LOCTITE 243

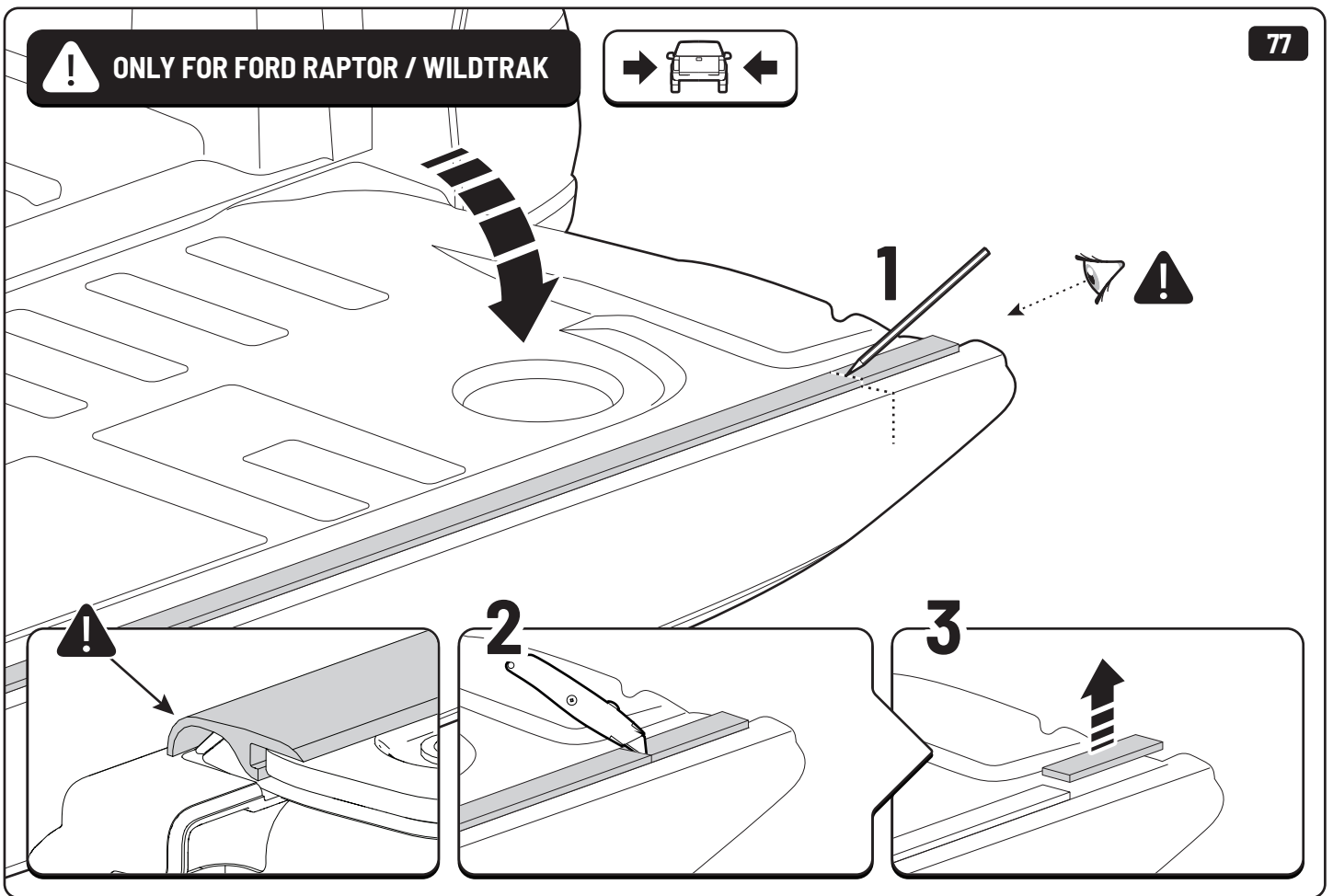
T30

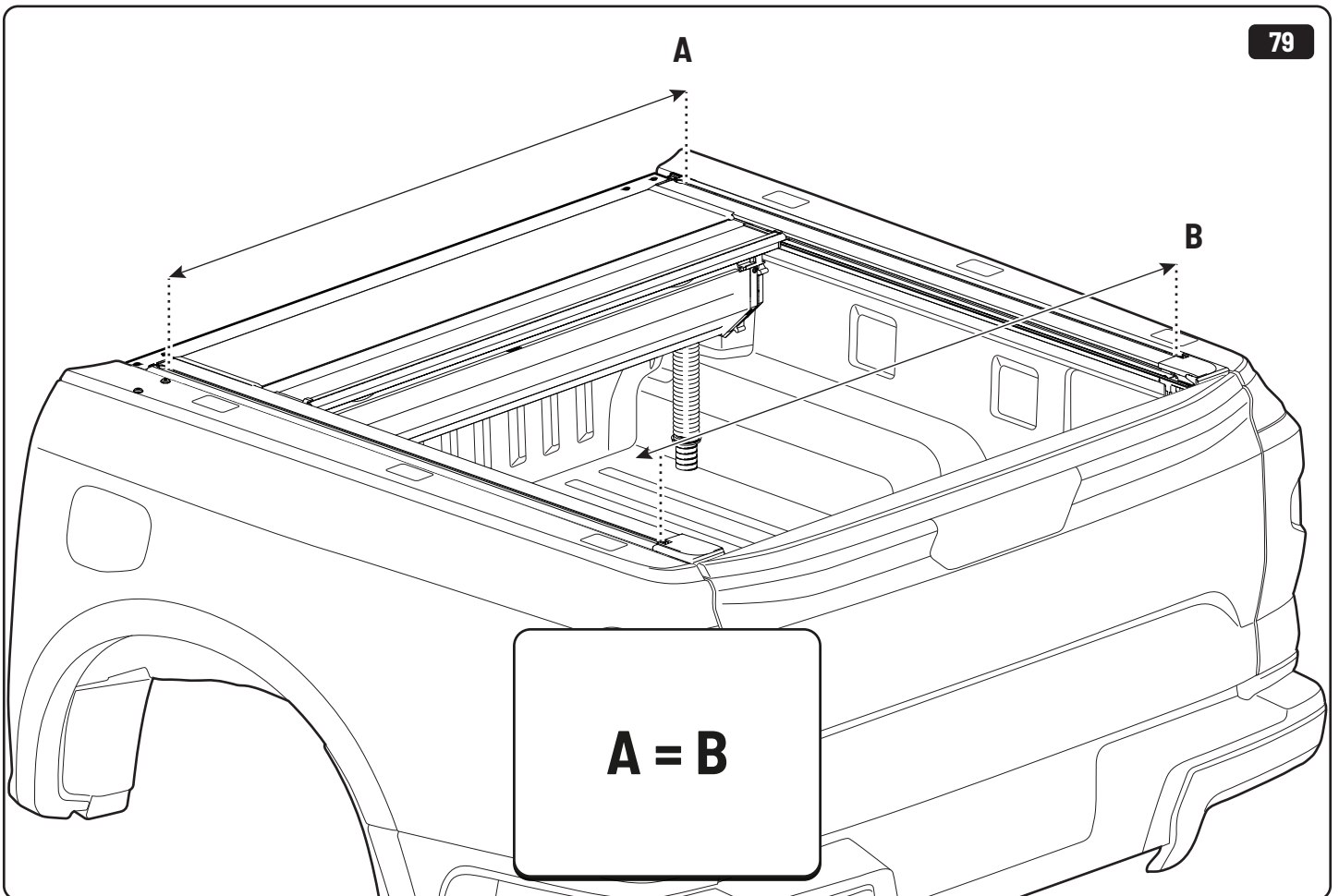
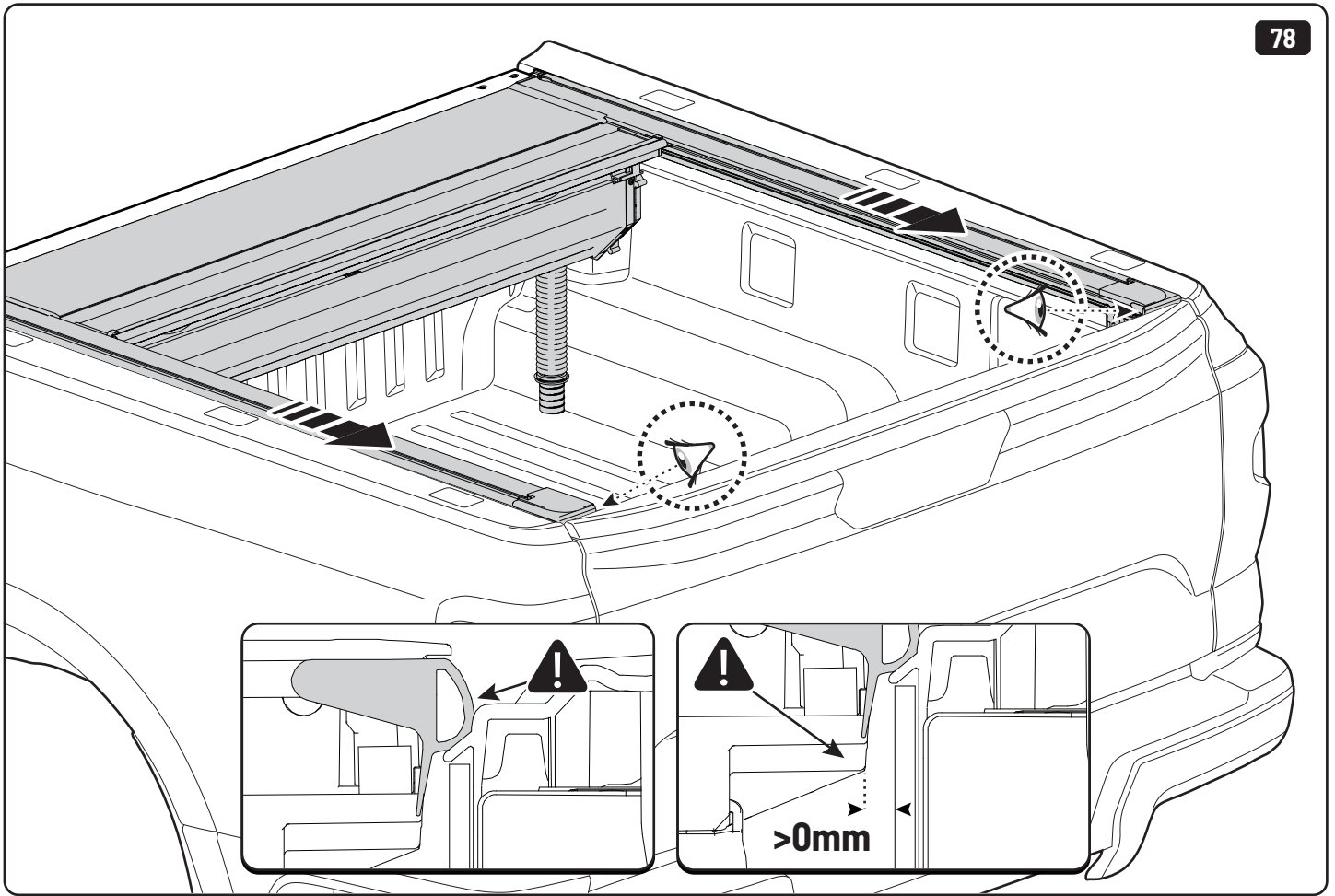



! ONLY FOR FORD RAPTOR / WILDTRAK

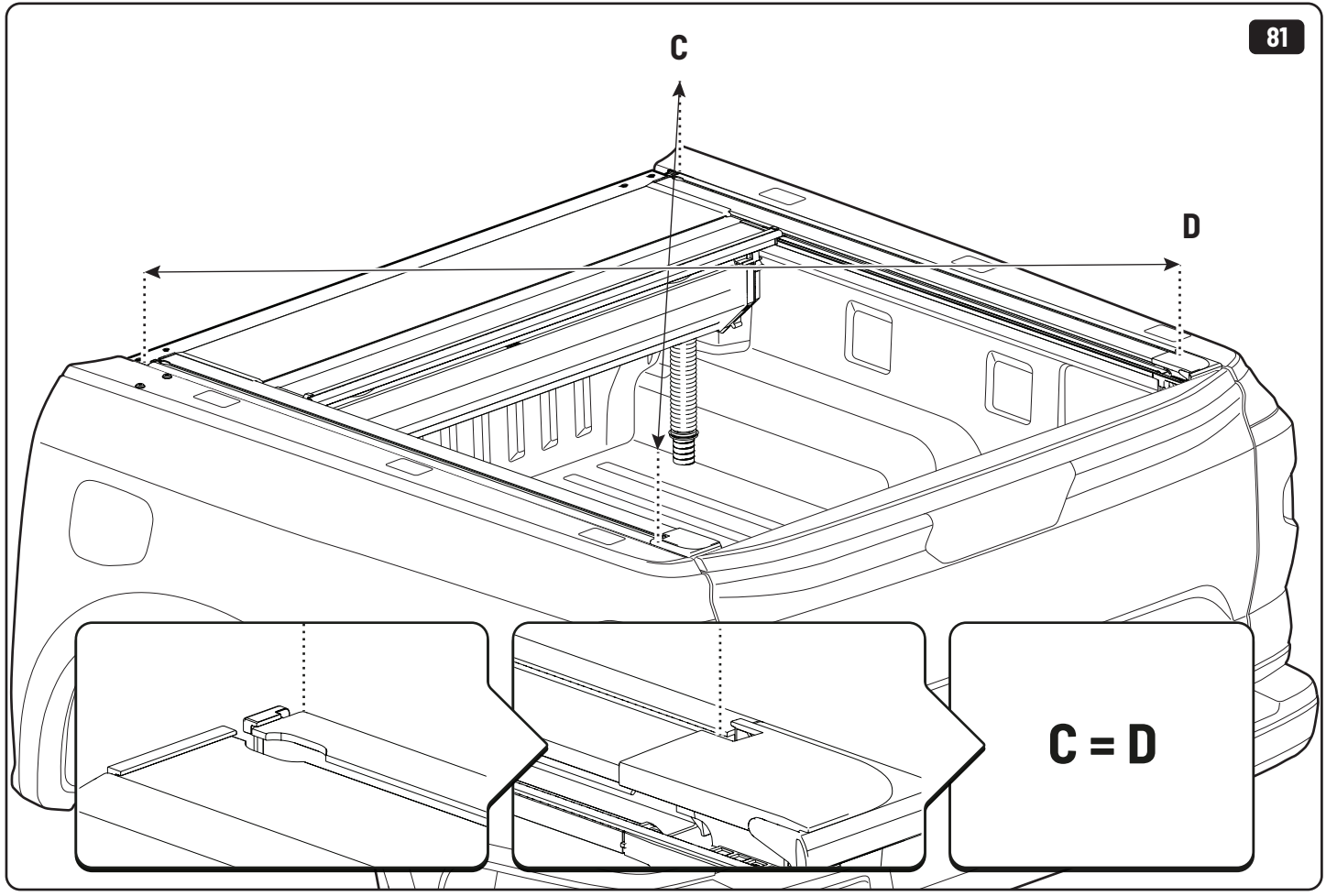
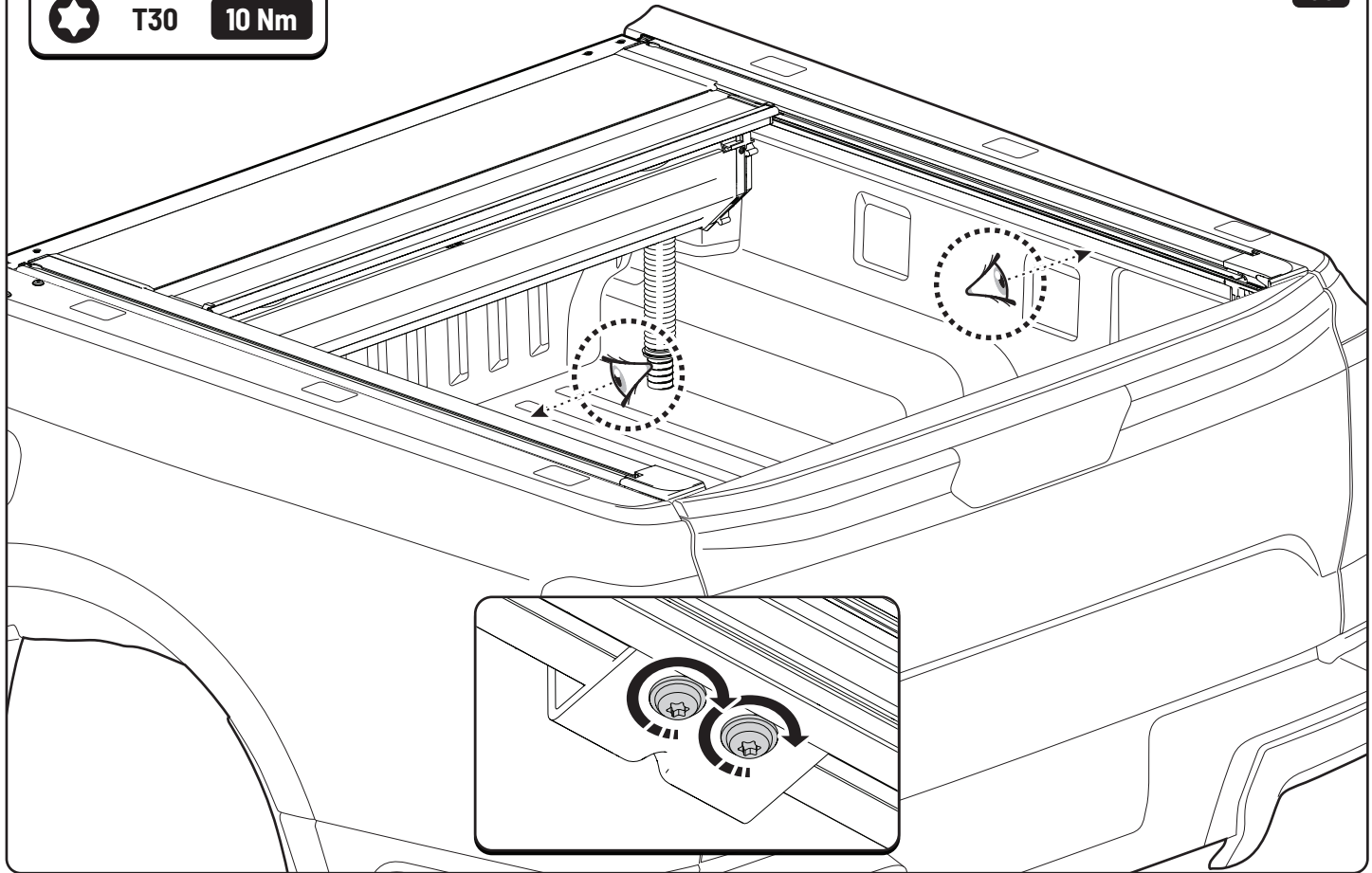


! ONLY FOR FORD RAPTOR / WILDTRAK





 T30 10 Nm

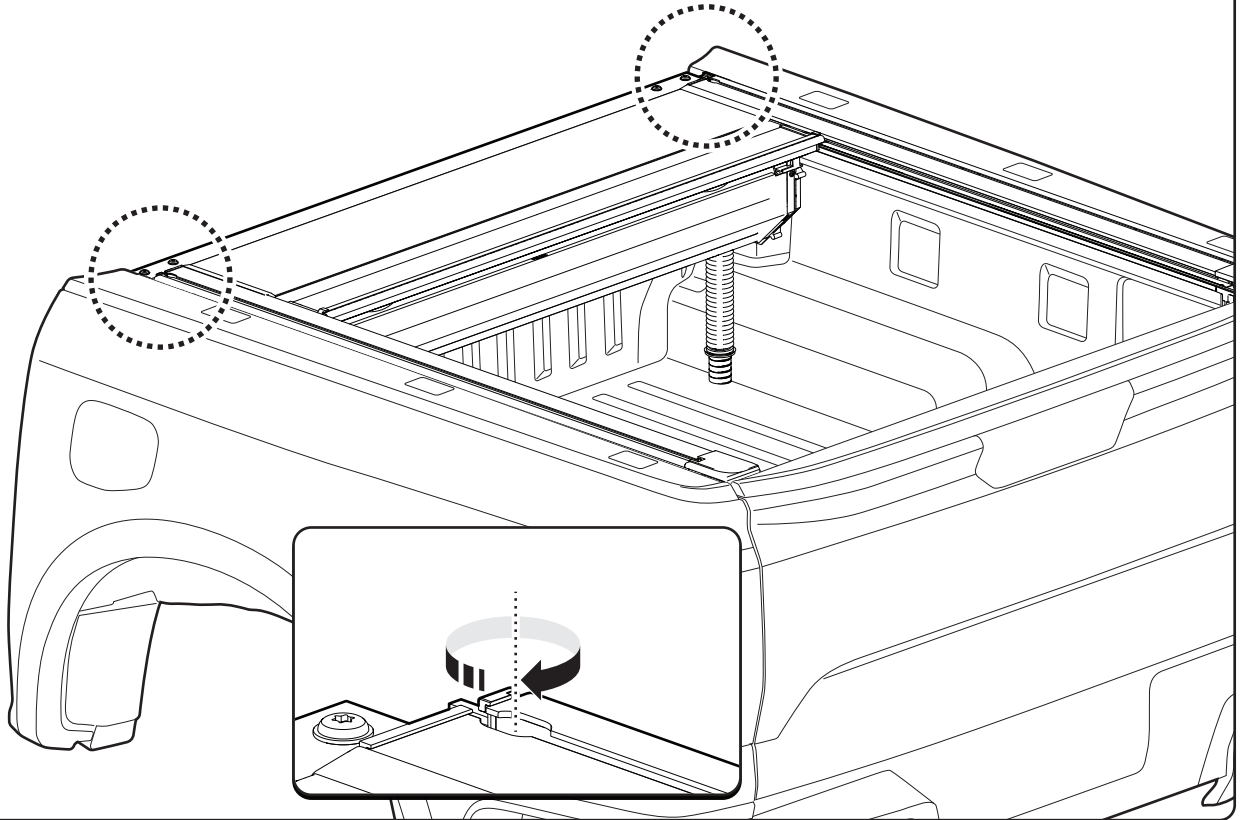




T30

4,8 Nm

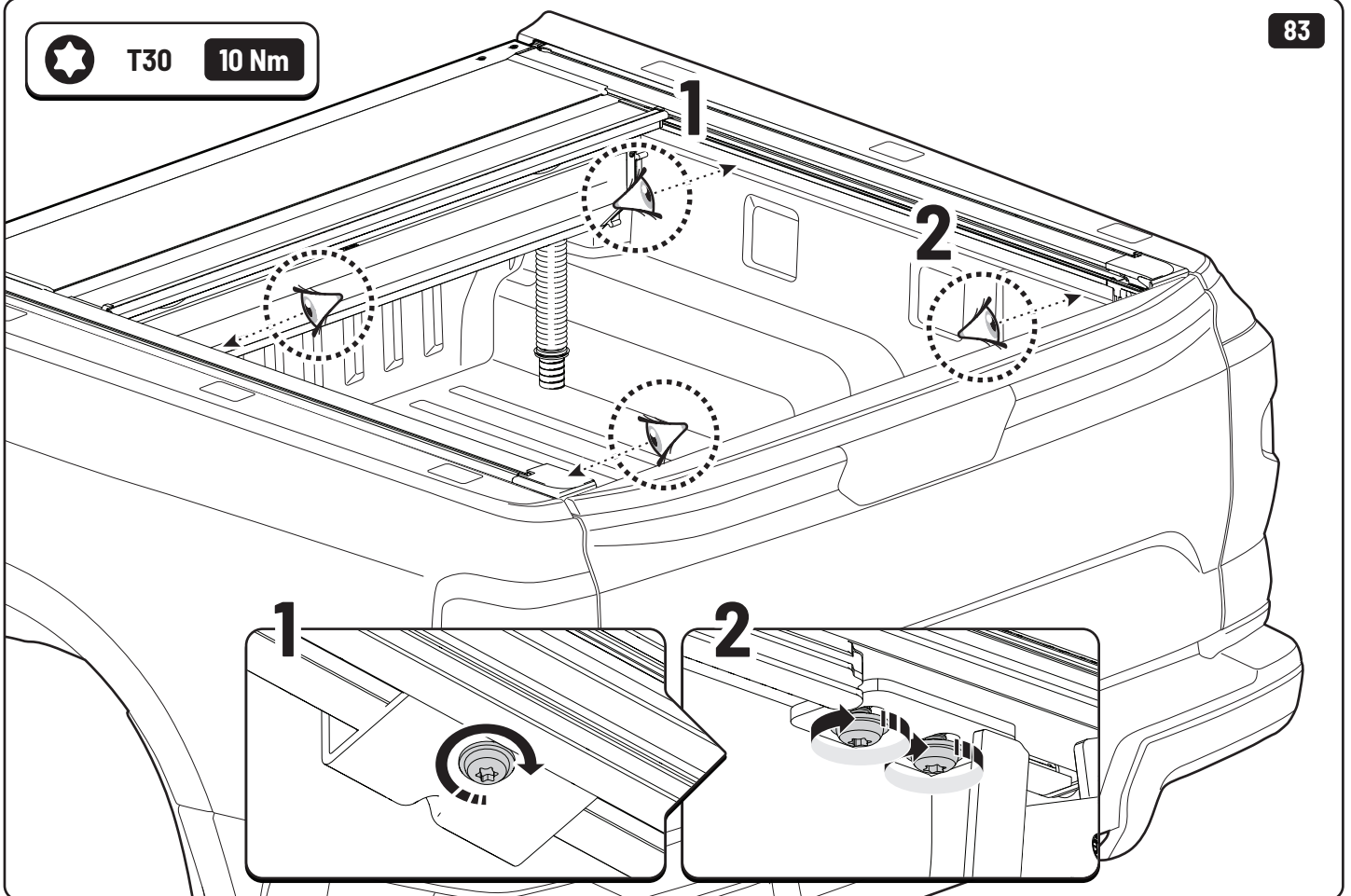
82

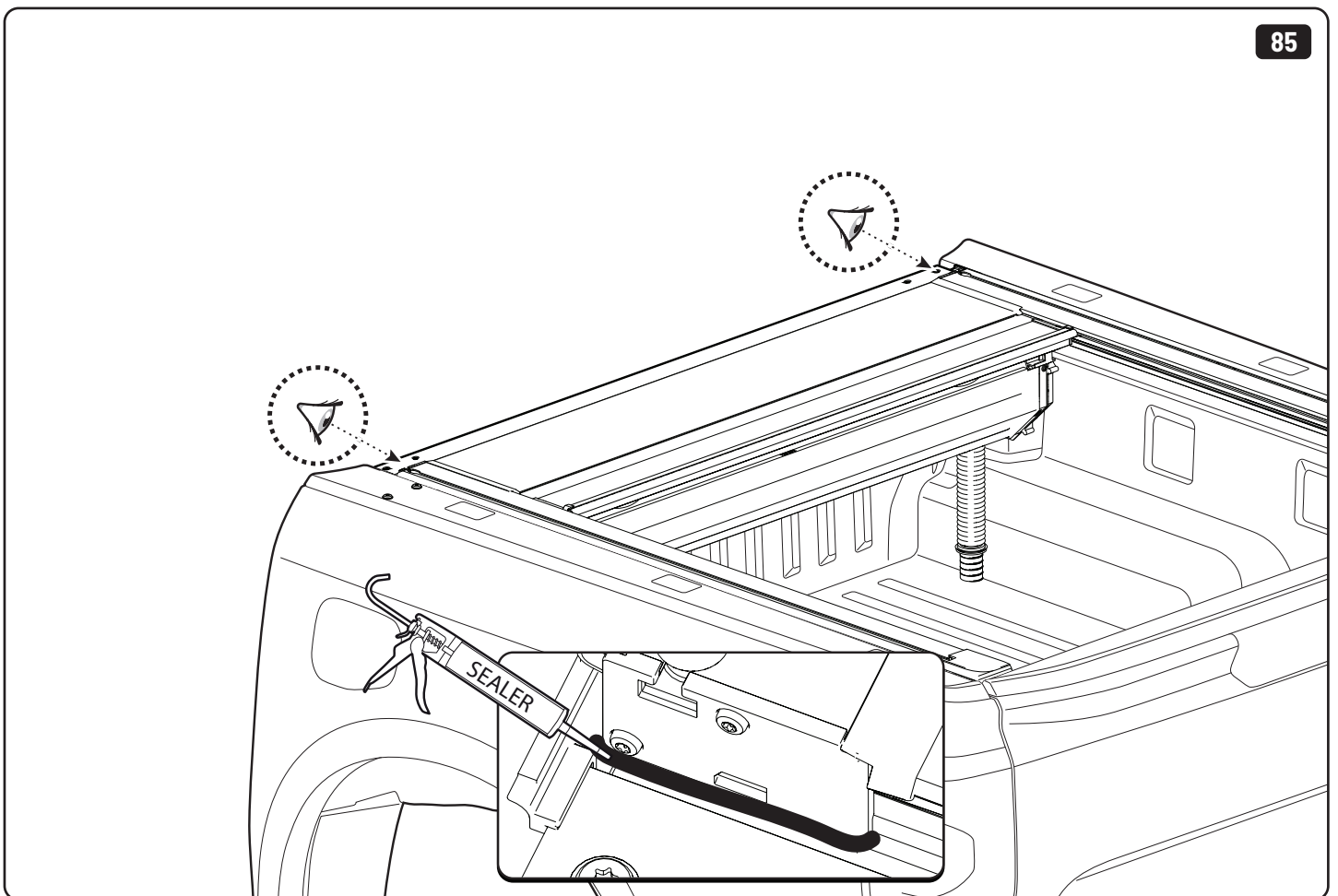
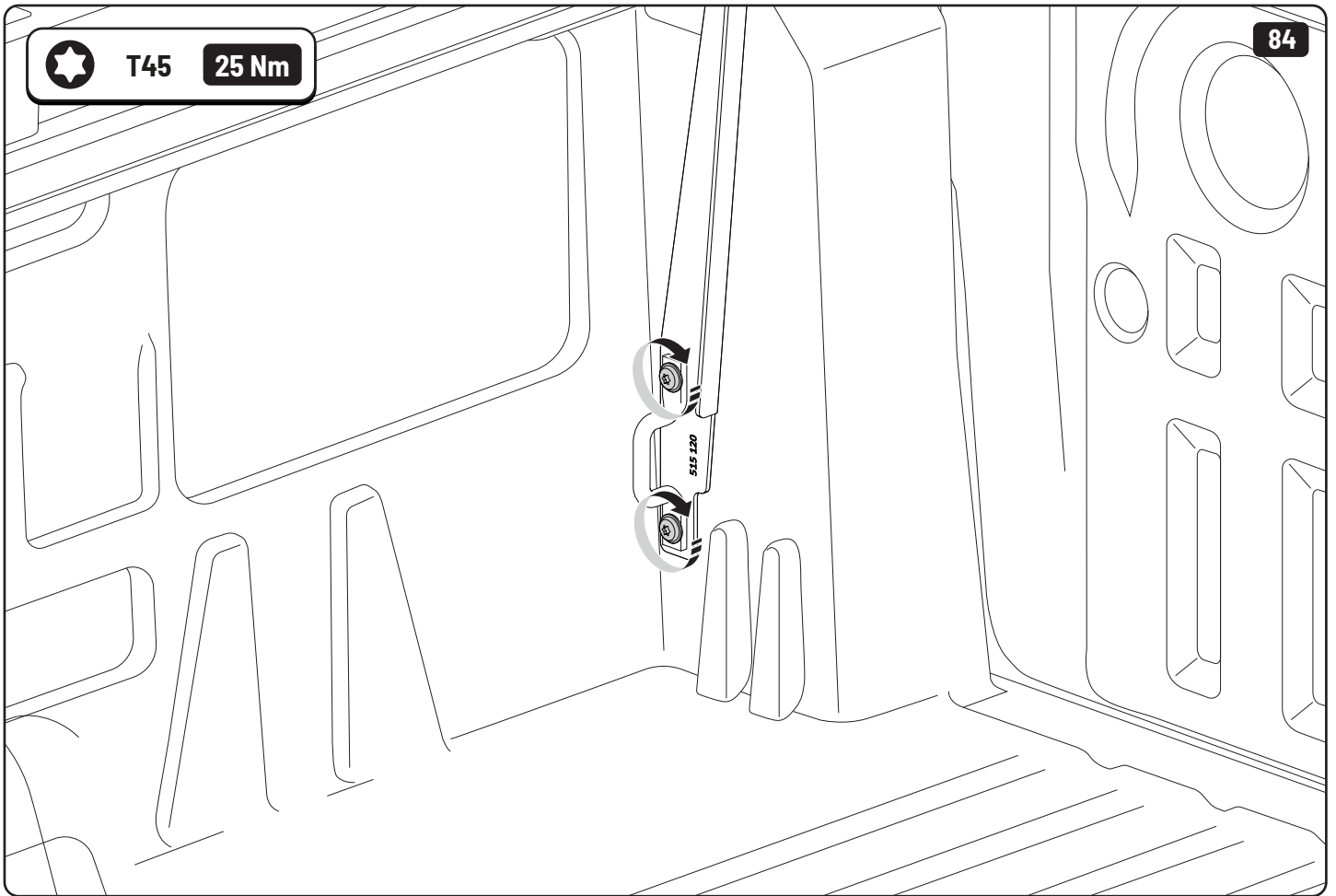


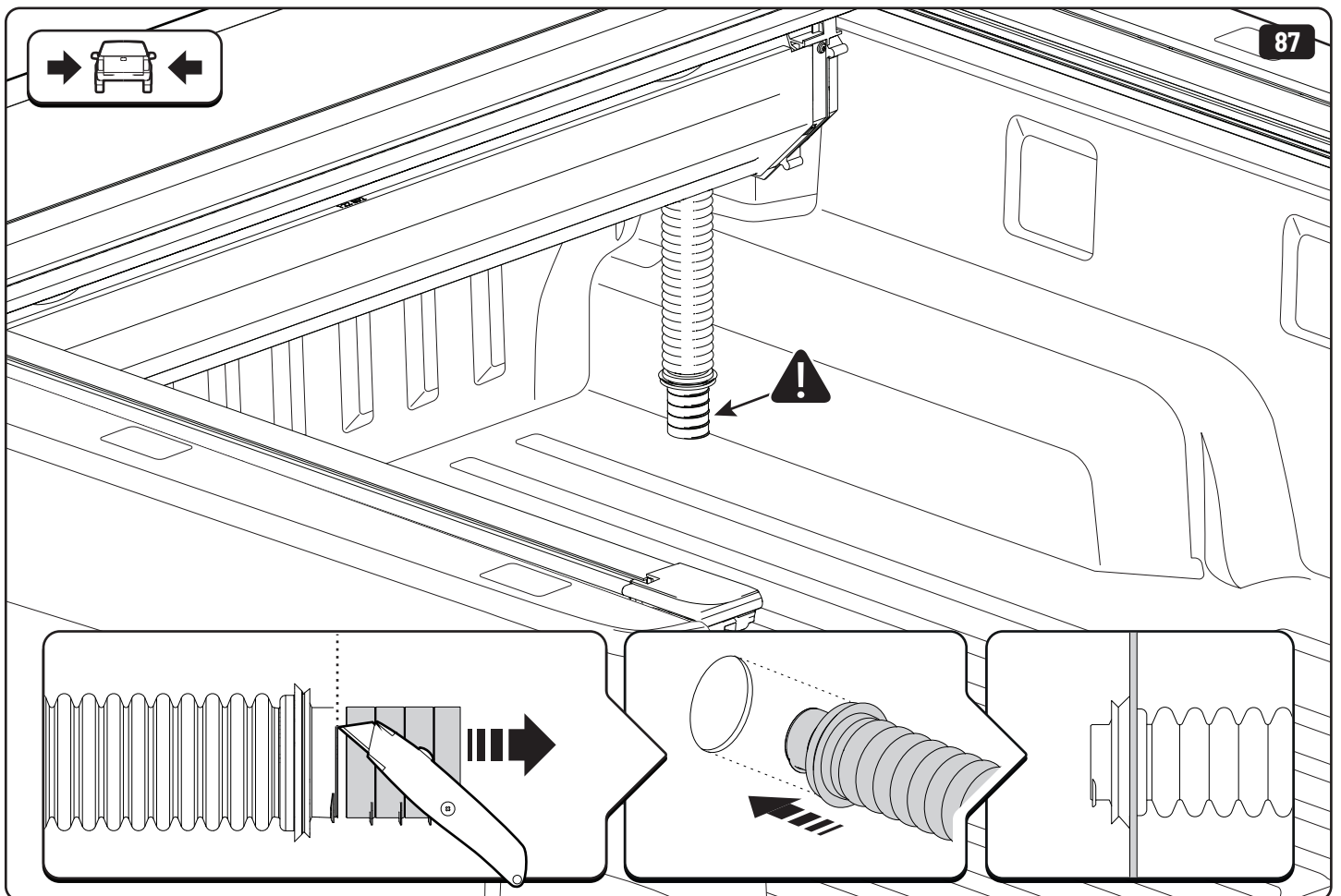
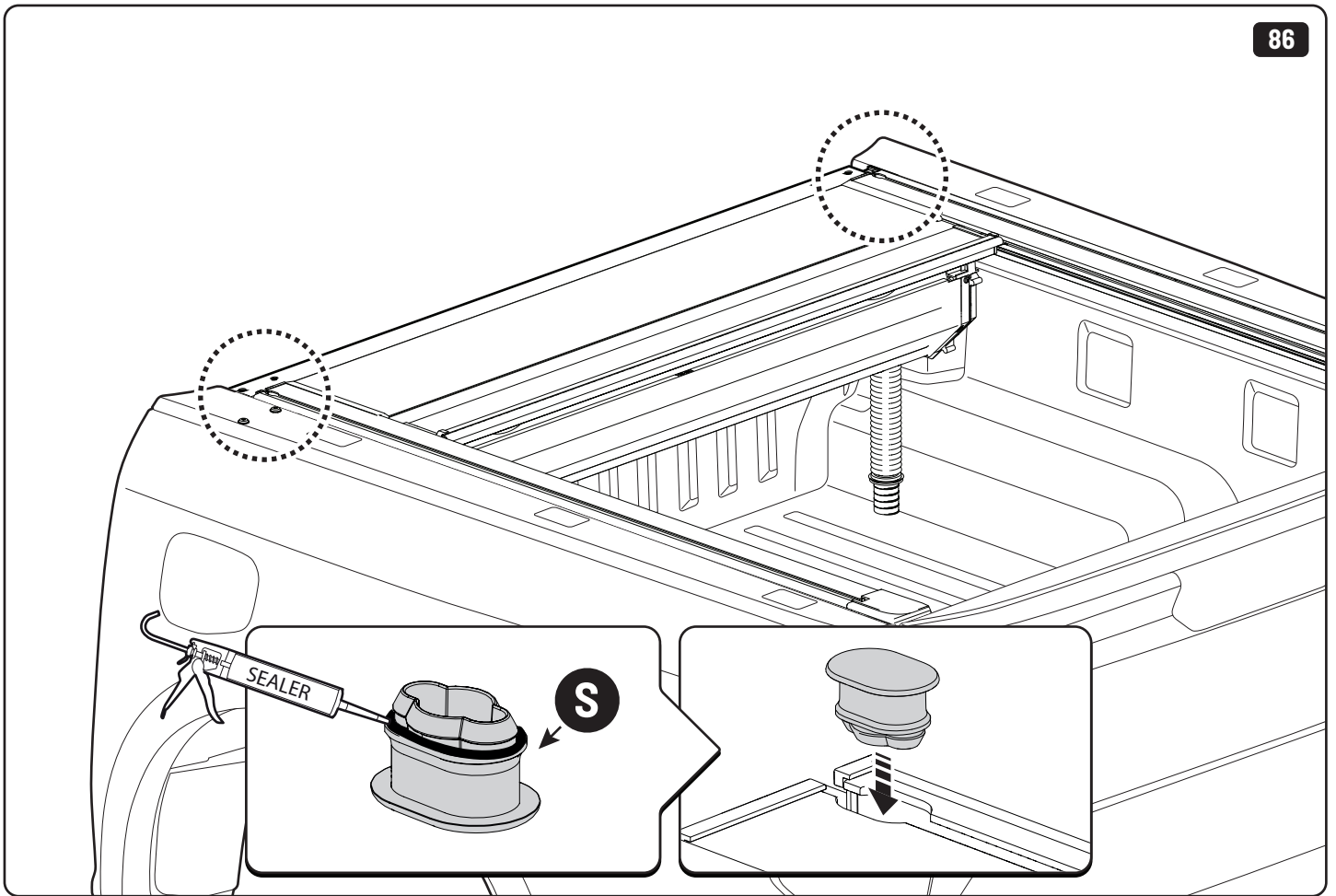
T30

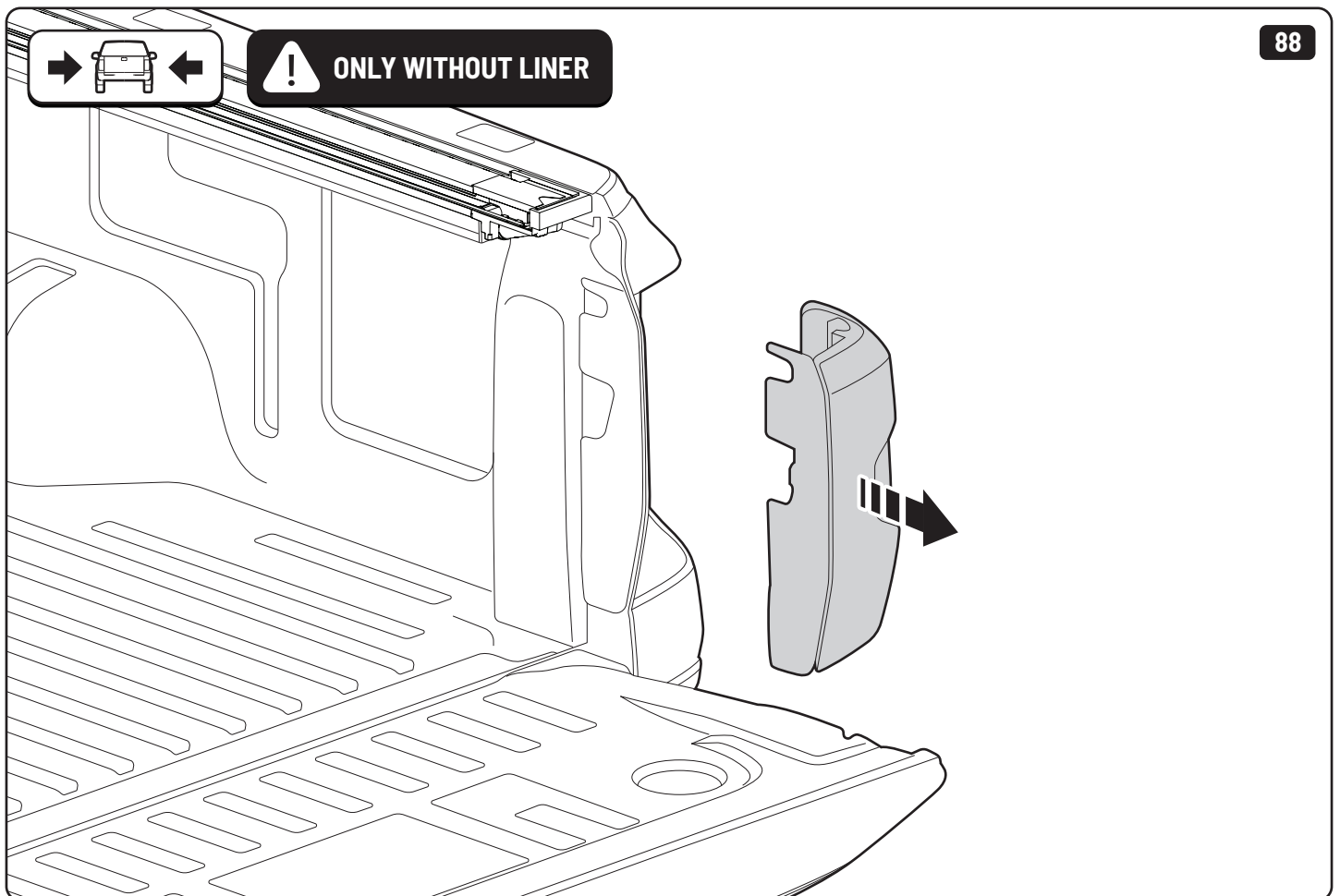
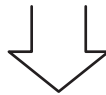
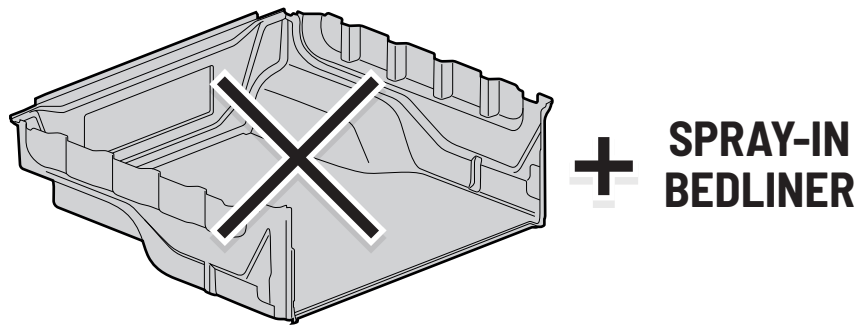
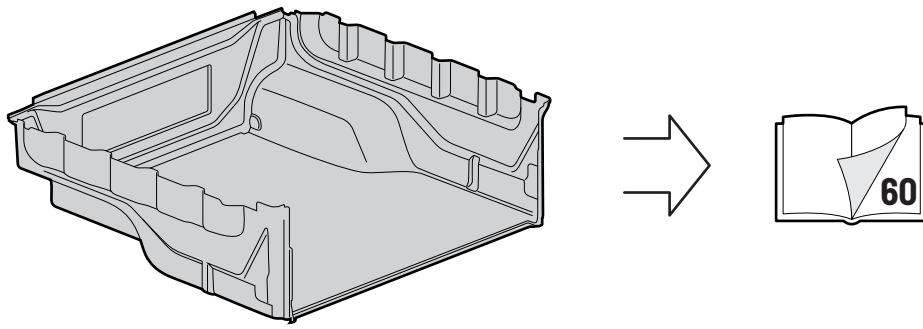
10 Nm

83



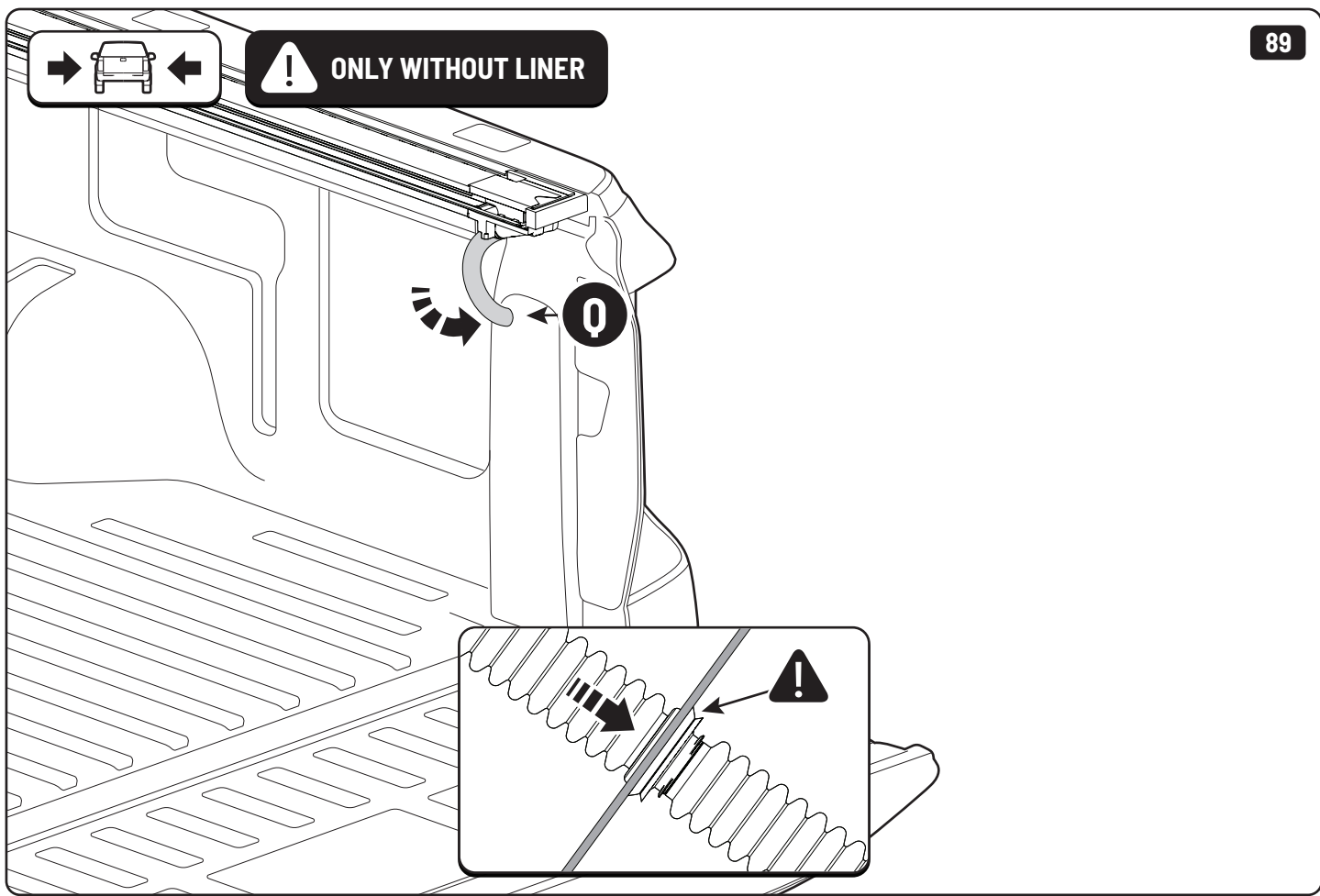




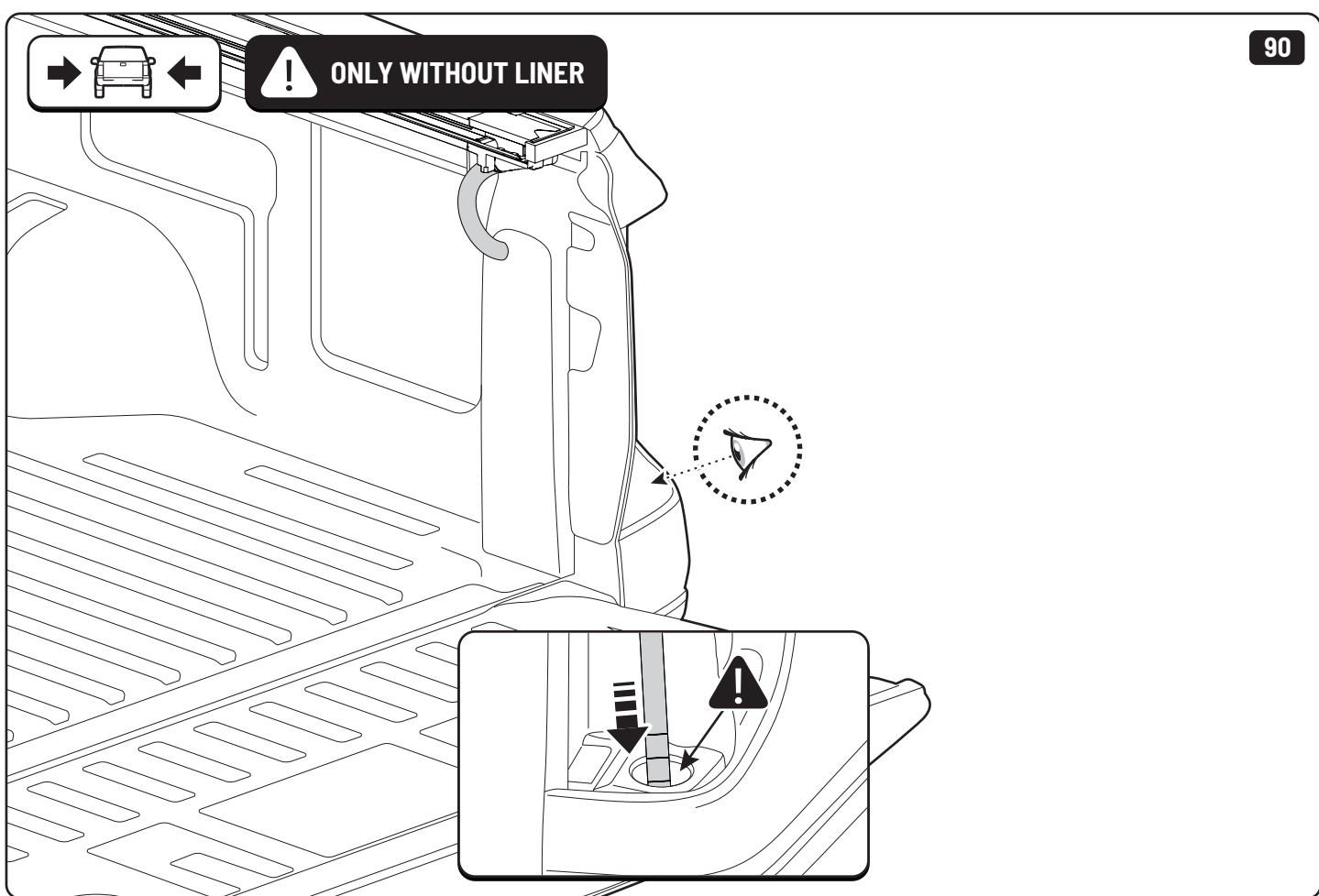




! ONLY WITHOUT LINER

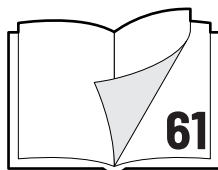
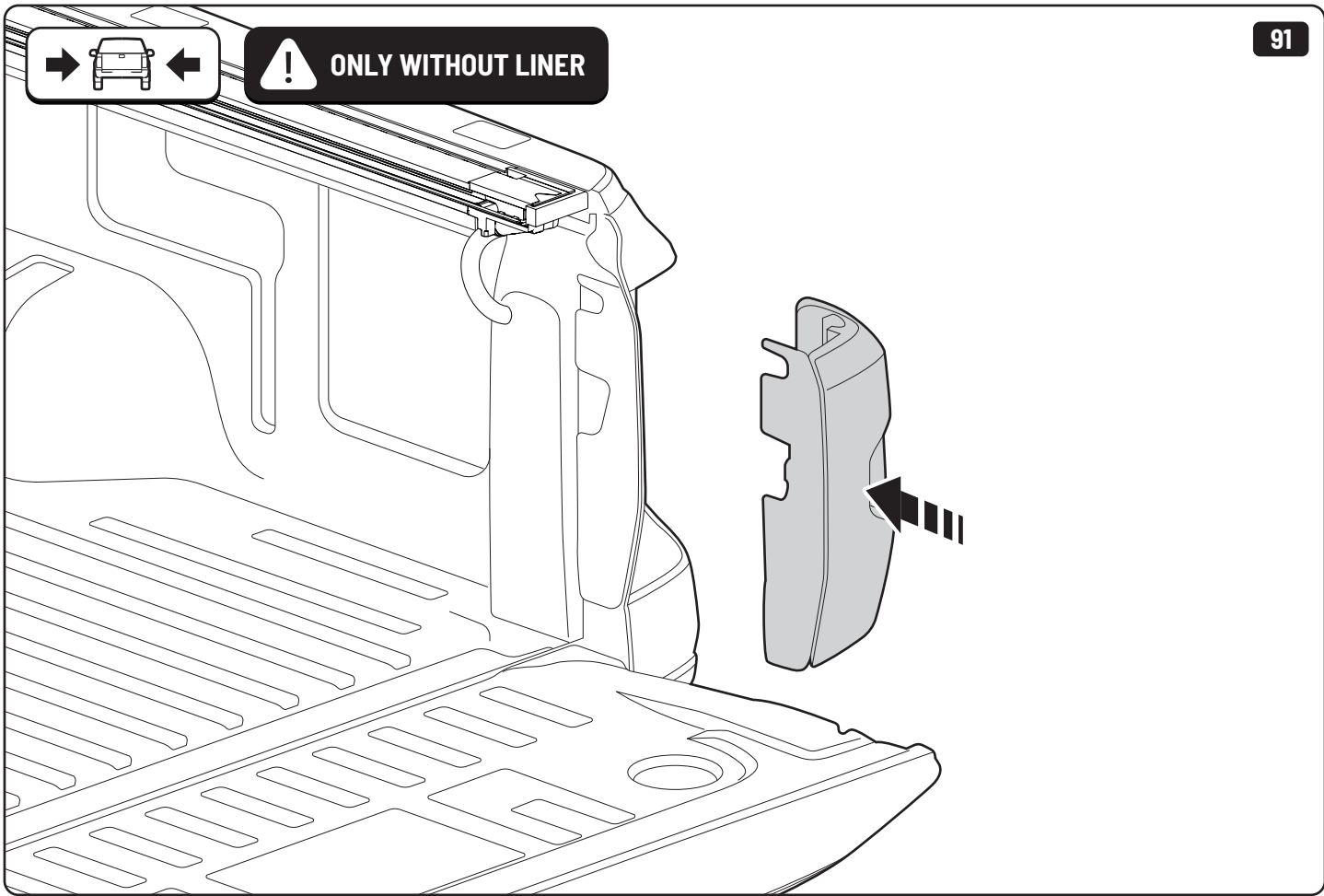


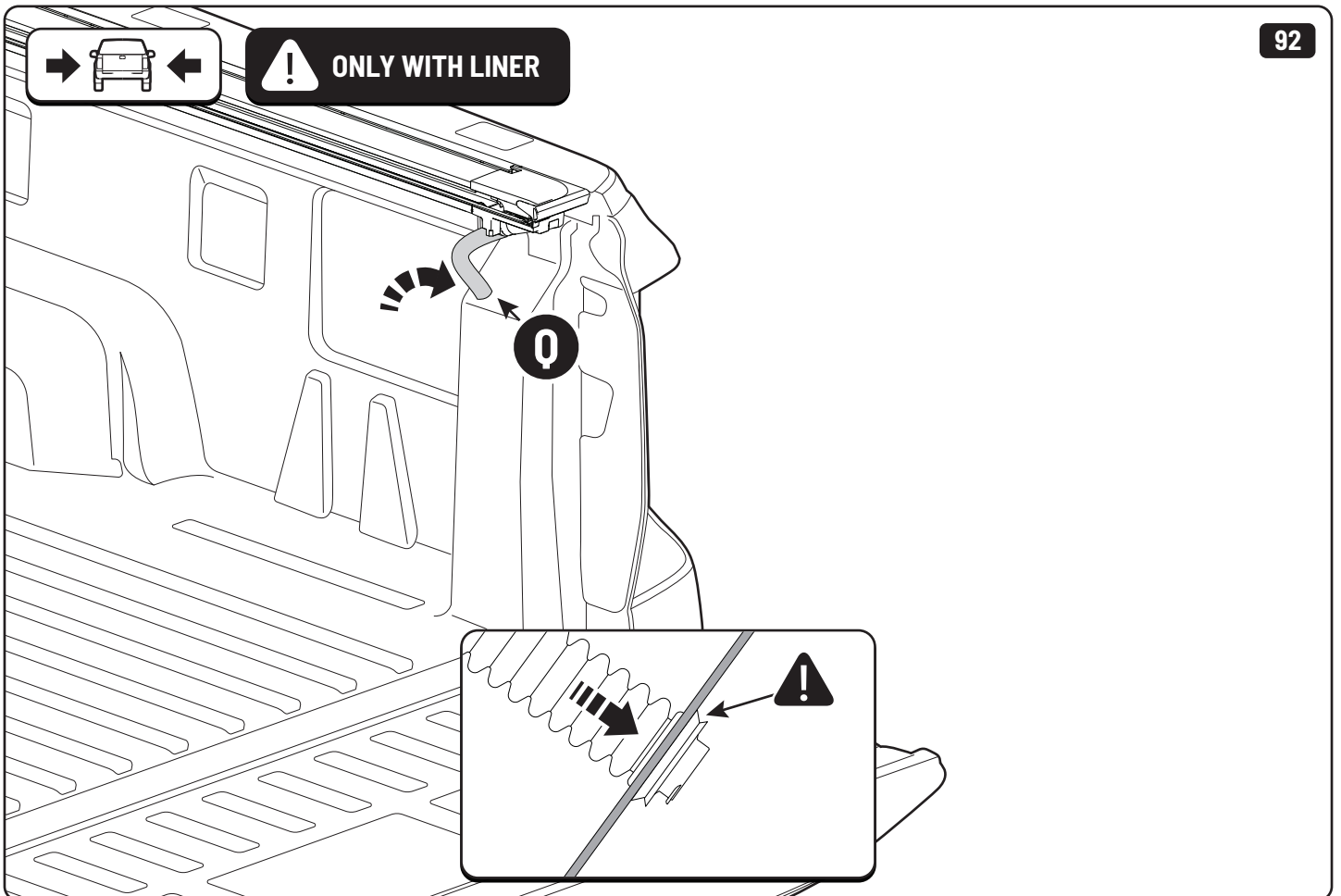
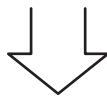
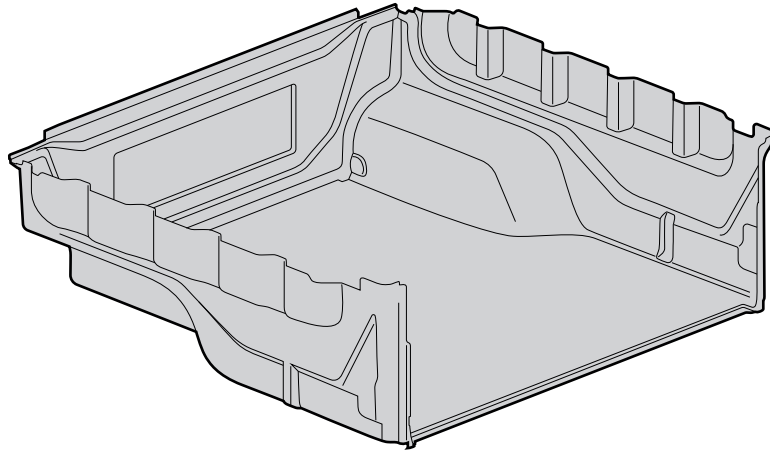
! ONLY WITHOUT LINER



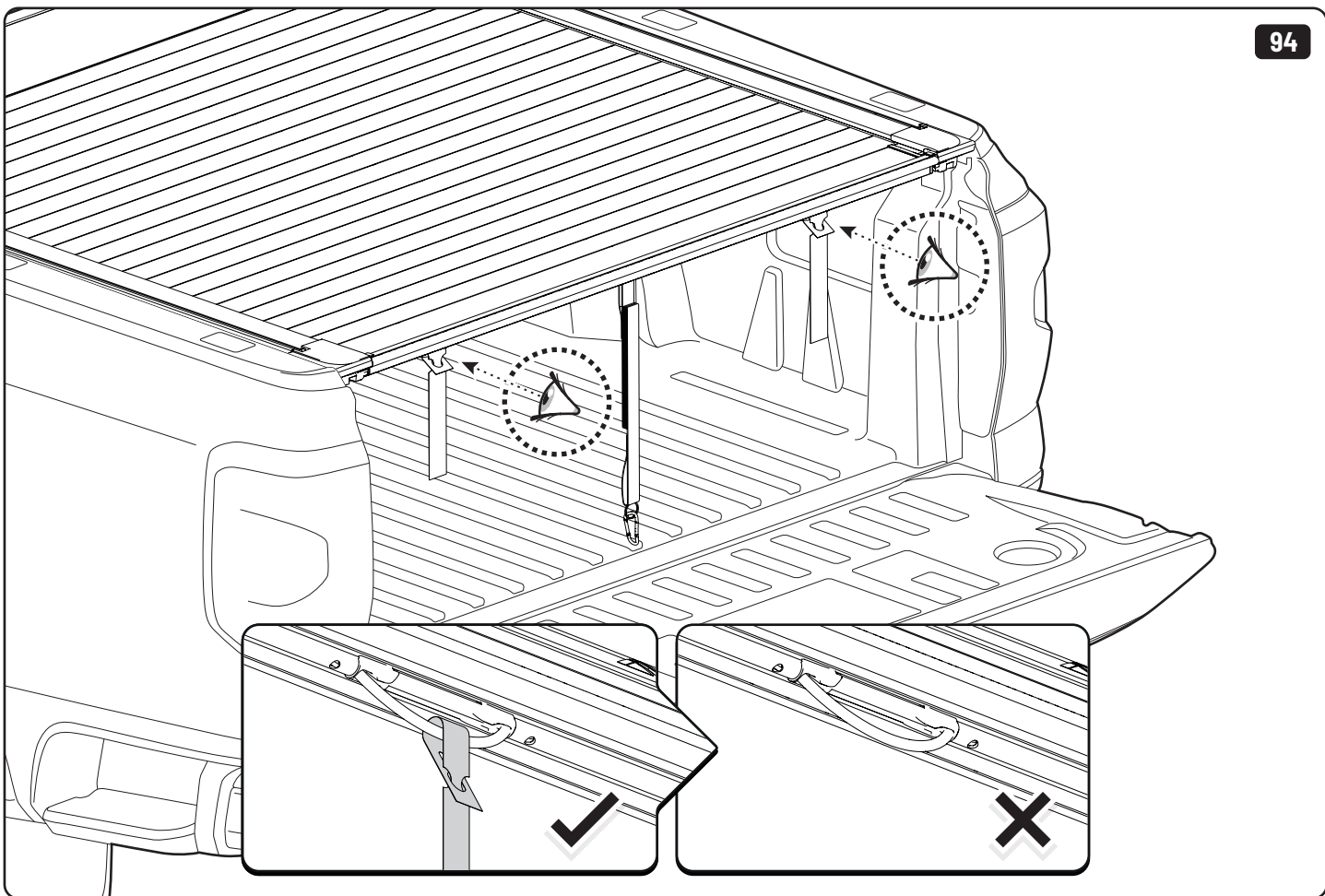
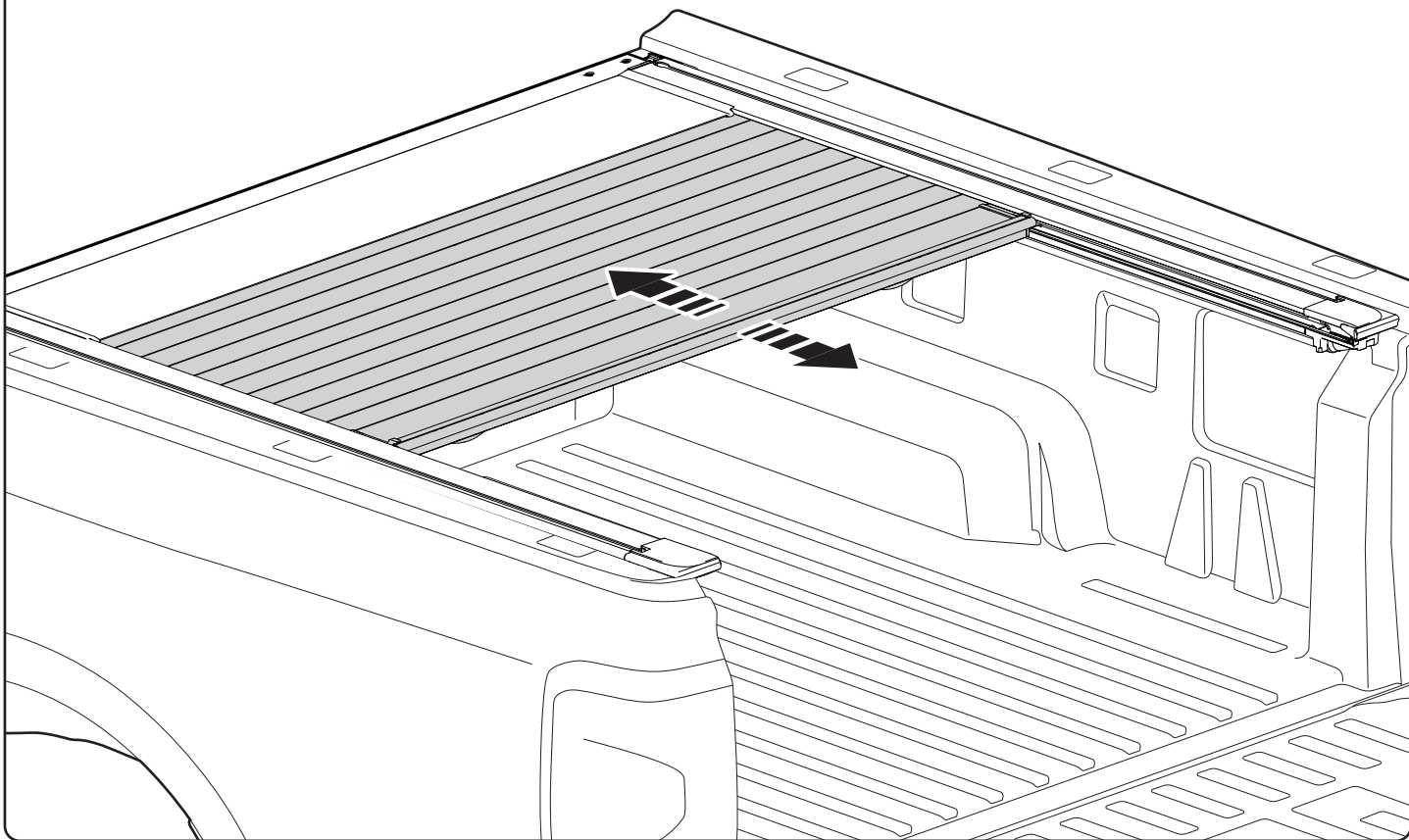


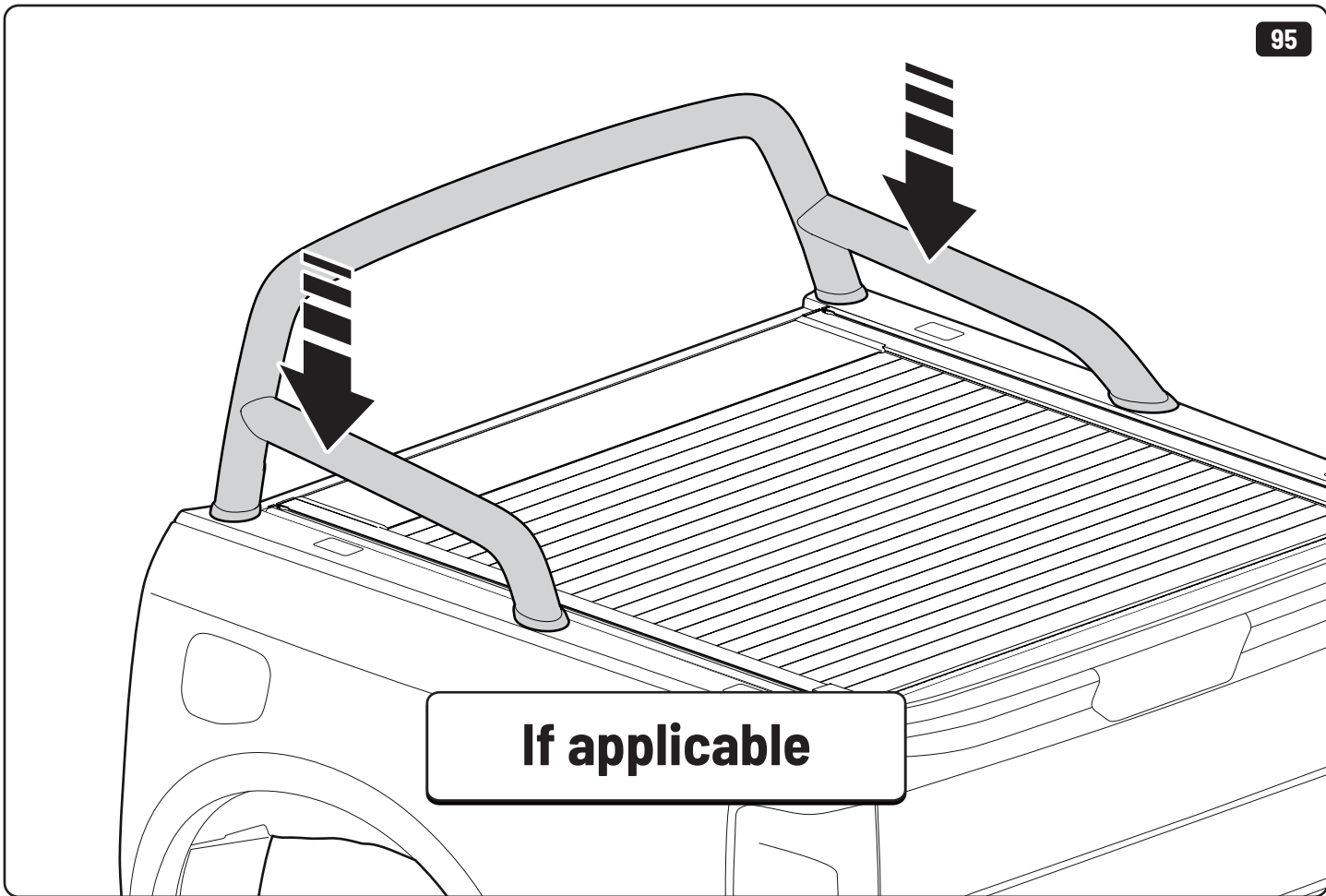
! ONLY WITHOUT LINER





! Check operation of Roller Shutter







Steps	Page	Done by
Mounting gliding rail in canister	13-14	
Holes for drain	24-26 / 28-30	
Width + Cross measurement	52+53	
Tightening bracket screws	53-55	
Mounting drain	56 + 57-59 / 60	
Check operation of Roller Shutter	61	



Customer Service +45 4810 2950 (08:00 - 16:00 CET)
Support info@mountaintop.dk
Website www.mountaintop.dk
Address Pedersholmparken 10, 3600 Frederikssund, Denmark

Part number (s)	Model / Year	Cab type (s)	Installation time	Weight
EV0m F010 HB02	Ford Ranger/ 2022 ->	Double Cab	1 hour (s)	30 kg
EV0m F011 HB02	Ford Ranger/ 2022 ->	Rap Cab	1 hour (s)	34 kg

GB Installation manual	S Monteringsanvisning	D Einbauanleitung
SF Asennusohje	I Instrucciones de montaje	CZ Návod k instalaci
F Notice de montage	H Szerelési utasítás	I Istruzioni di montaggio
PL Instrukcja montażu	P Instruções de instalação	GR Οδηγίες Εγκατάστασης
NL Installatie-instructies	RUS Инструкция по установке	DK Monteringsvejledning
TR Montaj Talimatı	N Monteringsveiledning	RO Instructiuni de instalare